

# TNC Bearings

Bearings and Stainless Steel Bearings and Thermoplastic Housings

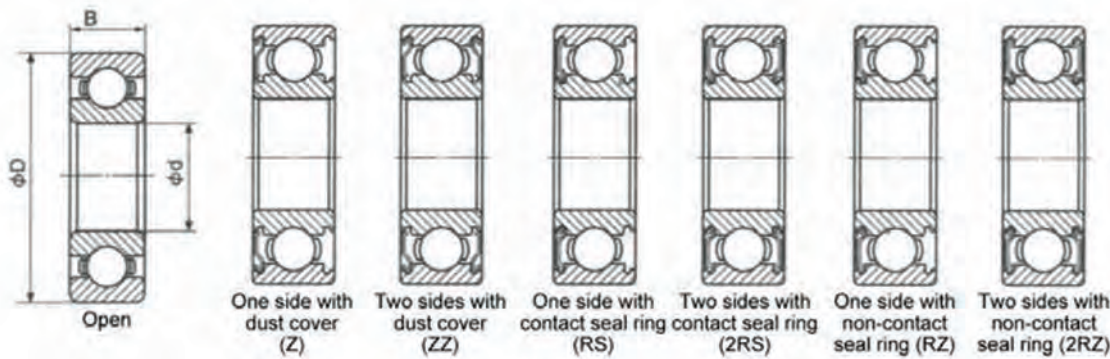




## TNC BEARINGS AND STAINLESS STEEL BEARINGS & THERMOPLASTIC HOUSINGS

---

<b>Deep Groove Ball Bearings.....</b>	<b>388</b>
6200 Series Imperial / Non-standard Bore.....	388
Deep Groove Inch Ball Bearings.....	389
<b>Stainless Steel Ball Bearings.....</b>	<b>391</b>
Deep Groove Ball Bearings.....	391
Miniature Ball Bearings.....	392
Insert Ball Bearings.....	393
<b>Stainless Steel Housings.....</b>	<b>395</b>
P200 Series Pillow Blocks.....	395
F200 Series Flanged Units.....	396
FL200 Series Oval Units.....	397
T200 Series Oval Units.....	398
<b>Thermoplastic Housings.....</b>	<b>399</b>
P200 Series Pillow Blocks.....	399
F200 Series Flanged Units.....	400
FL200 Series Oval Units.....	401
T200 Series Take Up Units.....	402
FB200 Series Bracket Units.....	403
PA200 Series Pillow Block Units.....	404
<b>Lock Nuts &amp; Tab Washers.....</b>	<b>405</b>

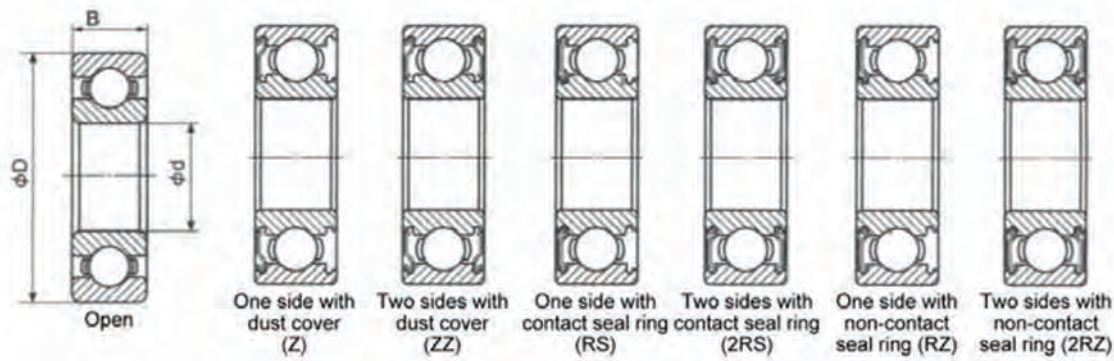


## 6200 Series Imperial Bore

Bearing No.	Bore (d)		O.D (D)	Width (B)	Load Ratings	
	Inch	mm			Dynamic	Static
			mm		Cr	Cor
6202-1/2-2RS	1/2	12.7	35	11	12800	6600
6202-5/8-2RS	5/8	15.875	35	11	12800	6600
6203-1/2-2RS	1/2	12.7	40	12	12800	6600
6203-5/8-2RS	5/8	15.875	40	12	12800	6600
6203-3/4-2RS	3/4	19.05	40	12	12800	6600
6204-5/8-2RS	5/8	15.875	47	14	12800	6600
6204-3/4-2RS	3/4	19.05	47	14	12800	6600
6205-3/4-2RS	3/4	19.05	52	15	12800	6600
6205-1-2RS	1	25.4	52	15	12800	6600

## 6200 Series Metric Non Standard Bore

Bearing No.	Bore (d)	O.D (D)	Width (B)	Load Ratings	
	mm	mm		Dynamic	Static
				Cr	Cor
6203-16-2RS	16	40	12	12800	660

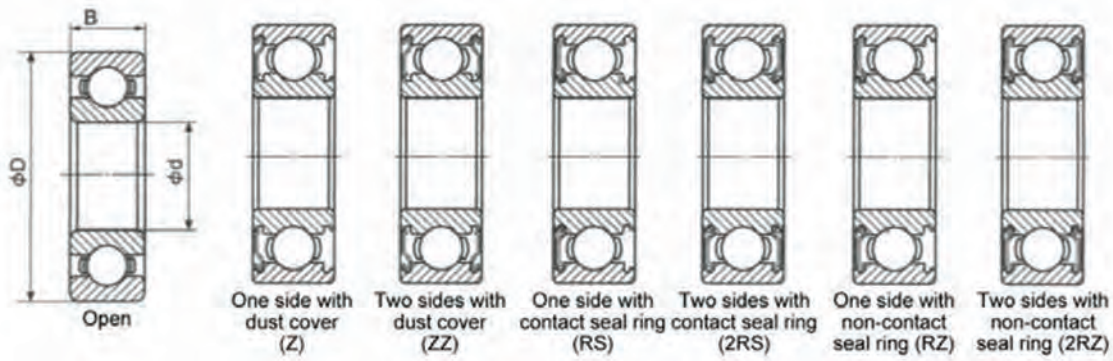


## RLS Series Imperial Bore

Bearing No.	Bore (d)		O.D (D)		Width (B)		Load Ratings	
	Inch	mm	Inch	mm	Inch	mm	Dynamic	Static
							Cr	Cor
RLS4-2RS	1/2	12.7	1-15/16	33.338	3/8	9.525	6820	3050
RLS5-2RS	5/8	15.875	1-9/16	39.688	7/16	11.112	7650	3720
RLS6-2RS	3/4	19.05	1-7/8	47.625	9/16	14.288	12800	6650
RLS7-2RS	7/8	22.225	2	50.8	9/16	14.288	12800	6650
RLS8-2RS	1	25.4	2-1/4	57.15	5/8	15.875	14000	7880
RLS9-2RS	1-1/8	28.575	2-1/2	63.5	5/8	15.875	19500	10000
RLS10-2RS	1-1/4	31.750	2-3/4	69.85	11/16	17.462	22500	11800
RLS11-2RS	1-3/8	34.925	3	76.2	11/16	17.472	25500	13700
RLS12-2RS	1-1/2	38.1	3-1/4	82.55	3/4	19.05	30700	16600
RLS14-2RS	1-3/4	44.45	3-3/4	95.25	13/16	20.64	35100	19600
RLS16-2RS	2	50.8	4	101.6	13/16	20.64	43600	25000

## RMS Series Imperial Bore

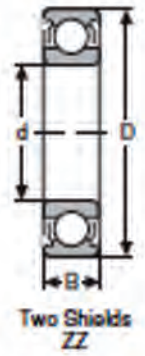
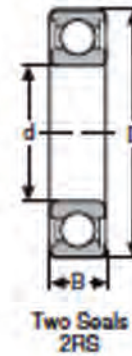
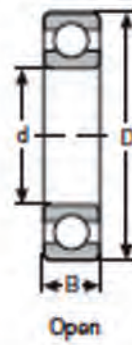
Bearing No.	Bore (d)		O.D (D)		Width (B)		Load Ratings	
	Inch	mm	Inch	mm	Inch	mm	Dynamic	Static
							Cr	Cor
RMS4-2RS	1/2	12.7	1-5/8	41.275	5/8	15.875	1500	5420
RMS5-2RS	5/8	15.875	1-13/16	46.038	5/8	15.875	13500	6550
RMS6-2RS	3/4	19.05	2	50.8	11/16	17.462	15900	7800
RMS7-2RS	7/8	22.225	2-1/4	57.15	11/16	17.462	18600	9150
RMS8-2RS	1	25.4	2-1/2	63.5	3/4	19.05	22500	11400
RMS9-2RS	1-1/8	28.575	2-13/16	71.438	13/16	20.638	28100	14600
RMS10-2RS	1-1/4	31.750	3-1/8	79.375	7/8	22.225	33200	18000
RMS11-2RS	1-3/8	34.925	3-1/2	88.9	7/8	22.225	41000	22400
RMS12-2RS	1-1/2	38.1	3-3/4	95.25	15/16	23.81	41000	22400



## R Series Imperial Bore

Bearing No.	TYPE		Bore (d)		O.D (D)		Width (B)		Load Ratings	
	Rubber Seals	Metal Shields	Inch	mm	Inch	mm	Inch	mm	Dynamic	Static
									Cr	Cor
R2	2RS	2Z	1/8	3.175	3/8	9.525	5/32	3.9688	631	219
R3	2RS	2Z	3/16	4.763	1/2	12.7	5/32	3.9688	1301	488
R4	2RS	2Z	1/4	6.350	5/8	15.875	5/32	3.9688	1480	621
R6	2RS	2Z	3/8	9.525	7/8	22.225	7/32	5.5563	3332	1422
R8	2RS	2Z	1/2	12.7	1-1/8	25.575	1/4	6.350	5108	2413
R10	2RS	2Z	5/8	15.875	1-3/8	34.925	9/32	7.1438	5988	3287
R12	2RS	2Z	3/4	19.05	1-5/8	41.2575	5/16	7.938	9378	5057
EE7	2RS	2Z	3/4	19.05	1-3/4	44.45	1/2	12.7	2540	1090
R14	2RS	2Z	7/8	22.225	1-7/8	47.625	3/8	9.525	100055	5855
R16	2RS	2Z	1	25.4	2	50.8	3/8	9.525	10055	5855
R18	2RS	2Z	1-1/8	25.575	2-1/8	53.975	3/8	9.525	12230	2260
R20	2RS	2Z	1-1/4	31.75	2-1/4	57.15	3/8	9.525	13225	8265
R4A	2RS		1/4	6.350	3/4	19.05	7/32	9.525	1120	885





## SS 6000 Series

Bearing No.	Bore (d)	O.D (D)	Width (B)	Chamfer rmm mm	Load Ratings		Balls Complement		Limited Speed	
	mm	mm			Dynamic	Static	No.	Size	Grease	Oil
					Cr	Cor		mm	r/min	r/min
SS-6000-2RS	10	26	8	0.3	4.55	1.95	7	4.763	29000	34000
SS-6001-2RS	12	28	8	0.3	5.1	2.39	8	4.763	26000	30000
SS-6002-2RS	15	32	9	0.3	5.6	2.84	9	4.763	22000	26000
SS-6003-2RS	17	35	10	0.3	6.8	3.35	10	4.763	20000	24000
SS-6004-2RS	20	42	12	0.6	9.4	5.05	9	6.35	18000	21000
SS-6005-2RS	25	47	12	0.6	10.1	5.85	10	6.35	15000	18000
SS-6006-2RS	30	55	13	1	13.2	8.3	11	7.144	13000	15000
SS-6007-2RS	35	62	14	1	16	10.3	11	7.938	12000	14000
SS-6008-2RS	40	68	15	1	16.8	11.5	12	7.938	10000	12000
SS-6009-2RS	45	75	16	1	21	15.1	12	8.731	9200	11000
SS-6010-2RS	50	80	16	1.1	21.8	16.6	13	8.731	8400	9800

## SS 6200 Series

Bearing No.	Bore (d)	O.D (D)	Width (B)	Chamfer rmm mm	Load Ratings		Balls Complement		Limited Speed	
	mm	mm			Dynamic	Static	No.	Size	Grease	Oil
					Cr	Cor		mm	r/min	r/min
SS-6200-2RS	10	30	9	0.6	5.1	2.39	8	4.763	25000	30000
SS-6200-ZZ	10	30	9	0.6	5.1	2.39	8	4.763	25000	30000
SS-6201-2RS	12	32	10	0.6	6.1	2.75	7	5.953	22000	26000
SS-6201-ZZ	12	32	10	0.6	6.1	2.75	7	5.953	22000	26000
SS-6202-2RS	15	35	11	0.6	7.75	3.6	8	5.953	19000	23000
SS-6203-2RS	17	40	12	0.6	9.6	4.6	8	6.747	18000	21000
SS-6204-2RS	20	47	14	1	12.8	6.65	8	7.938	16000	18000
SS-6205-2RS	25	52	15	1	14	7.85	9	7.938	13000	15000
SS-6206-2RS	30	62	16	1	19.5	11.3	9	9.525	11000	13000
SS-6207-2RS	35	72	17	1.1	25.7	15.3	9	11.112	9800	11000
SS-6208-2RS	40	80	18	1.1	29.1	17.8	9	12	8700	10000
SS-6209-2RS	45	85	19	1.1	32.5	20.4	10	12	7800	9200
SS-6210-2RS	50	90	20	1.1	35	23.2	10	12.7	7100	8300

## SS 6300 Series

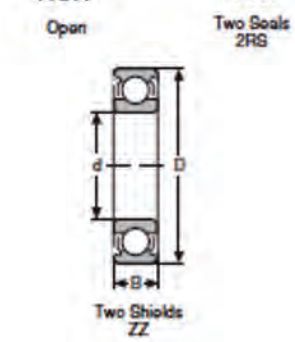
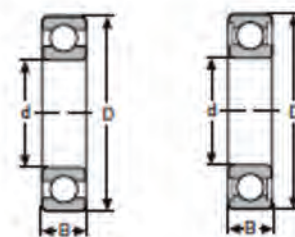
Bearing No.	Bore (d)	O.D (D)	Width (B)	Chamfer r min mm	Load Ratings		Balls Complement		Limited Speed	
	mm	mm			Dynamic	Static	No.	Size	Grease r/min	Oil r/min
					Cr	Cor		mm		
SS6300-2RS	10	35	11	7640	3470					
SS6301-2RS	12	37	12	9700	4190					
SS-6302-2RS	15	42	13	1	11.4	5.45	7	7.938	17000	21000
SS-6303-2RS	17	47	14	1	13.5	6.55	7	8.731	16000	19000
SS-6303-ZZ	17	47	14	1	13.5	6.55	7	8.731	16000	19000
SS-6304-2RS	20	52	15	1.1	15.9	7.9	7	9.525	14000	17000
SS-6305-2RS	25	62	17	1.1	21.2	10.9	7	11.5	12000	14000
SS-6306-2RS	30	72	19	1.1	26.7	15	8	12	10000	12000

## SS Miniature Ball Bearings Series

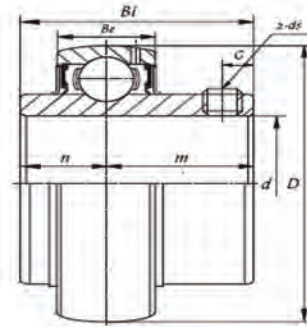
Bearing No.	Bore (d)	O.D (D)	Width (B)	Load Ratings		Limited Speed	
	mm	mm		Dynamic	Static	Grease	Oil
				Cr	Cor	r/min	r/min
SS-604-2RS	4	12	4	957	350	48000	56000
SS-605-2RS	5	14	5	1329	507	40000	50000
SS-606-2RS	6	17	6	2263	846	38000	45000
SS-607-2RS	7	19	6	2336	896	36000	43000
SS-608-2RS	8	22	7	3293	1379	34000	40000
SS-609-2RS	9	24	7	3356	1444	32000	38000
SS-623-2RS	3	10	4	631	219	50000	60000
SS-624-2RS	4	13	5	1301	488	40000	48000
SS-625-2RS	5	16	5	1729	675	36000	43000
SS-626--2RS	6	19	6	2336	896	32000	40000
SS-628-2RS	8	24	8	3333	1423	28000	34000
SS-629-2RS	9	26	8	4575	1983	28000	34000

## SS 61800 & 61900 Series

Bearing No.	Bore (d)	O.D (D)	Width (B)	Load Ratings	
	mm	mm		Dynamic	Static
				Cr	Cor
SS61800-2RS	10	19	5	1590	750
SS61801-2RS	12	21	5	1910	1040
SS61802-2RS	15	24	5	2070	1250
SS61803-2RS	17	26	5	2130	1360
SS61804-2RS	20	32	5	3480	2230
SS61805-2RS	25	37	7	3680	2630
SS61806-2RS	30	42	7	4000	3150
SS61807-2RS	35	47	7	4270	3600
SS61808-2RS	40	52	7	4410	3890
SS61809-2RS	45	58	7	4590	4330
SS61810-2RS	50	65	7	6610	6080
SS61900-2RS	10	22	6	2960	1270
SS61901-2RS	12	24	6	2890	460
SS61902-2RS	15	28	7	4320	2250
SS61903-2RS	17	30	7	4590	2550
SS61904-2RS	20	37	9	6370	3680
SS61905-2RS	25	42	9	6660	4180
SS61906-2RS	30	47	9	7240	5010
SS61907-2RS	35	55	10	10390	7160
SS61908-2RS	40	62	12	13020	9200
SS61909-2RS	45	68	12	13490	10300
SS61910-2RS	50	72	12	13900	10990



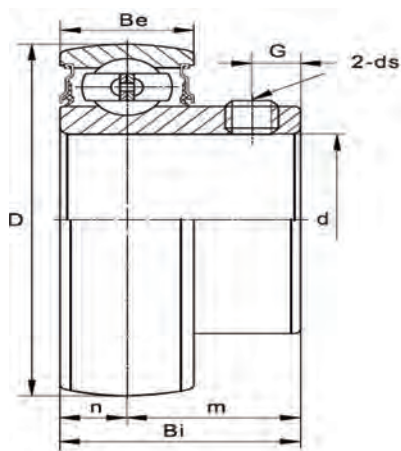




UC200 (Spherical O.D.)

## SS UC 200 Series

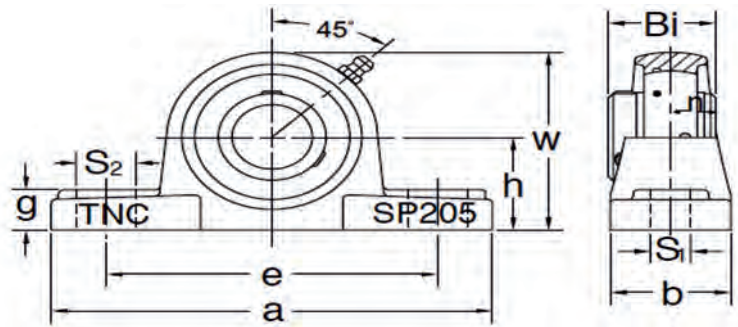
Bearing No.	Shaft Dia.		Dimensions (in. and mm)								Basic Dyn Load Rating (KN)	Basic Static Load Rating (KN)
	d		D	Bi	Be	n	m	G	ds	F		
	In.	mm							in/mm			
SS-UC201		12	47	31	17	12.7	18.3	5	M6x1	4.3	9.88	6.2
SS-UC201-08	1/2		1.8504	1.2205	0.6693	0.5000	0.7205	0.1969	1/4-28UNF	0.1693	9.88	6.2
SS-UC202		15	47	31	17	12.7	18.3	5	M6x1	4.3	9.88	6.2
SS-UC202-10	5/8		1.8504	1.2205	0.6693	0.5000	0.7205	0.1969	1/4-28UNF	0.1693	9.88	6.2
SS-UC203		17	47	31	17	12.7	18.3	5	M6x1	4.3	9.88	6.2
SS-UC204		20	47	31	17	12.7	18.3	5	M6x1	4.3	9.88	6.2
SS-UC204-12	3/4		1.8504	1.2205	0.6693	0.5000	0.7205	0.1969	1/4-28UNF	0.1693	9.88	6.2
SS-UC205		25	52	34.1	17	14.3	19.8	5	M6x1	4	10.78	6.98
SS-UC205-16	1		2.0472	1.3425	0.6693	0.5630	0.7795	0.1969	1/4-28UNF	0.1575	10.78	6.98
SS-UC206		30	62	38.1	19	15.9	22.2	5.5	M6x1	5.3	14.97	10.04
SS-UC206-20	1-1/4		2.4409	1.5000	0.7480	0.6260	0.8740	0.2165	1/4-28UNF	0.2087	14.97	10.04
SS-UC207		35	72	42.9	20	17.5	25.4	6	M8x1	5.8	19.75	13.67
SS-UC207-20	1-1/4		2.8346	1.6890	0.7874	0.6890	1	0.2362	5/16-24UNF	0.2283	19.75	13.67
SS-UC207-22	1-3/8		2.8346	1.6890	0.7874	0.6890	1	0.2362	5/16-24UNF	0.2283	19.75	13.67
SS-UC207-23	1-7/16		2.8346	1.6890	0.7874	0.6890	1	0.2362	5/16-24UNF	0.2283	19.75	13.67
SS-UC208		40	80	49.2	21	19	30.2	8	M8x1	6.2	22.71	15.94
SS-UC208-24	1-1/2		3.1496	1.9370	0.8268	0.7480	1.1890	0.3150	5/16-24UNF	0.2441	22.71	15.94
SS-UC209		45	85	49.2	22	19	30.2	8	M8x1	6.5	24.36	17.71
SS-UC209-26	1-5/8		3.3465	1.9370	0.8661	0.7480	1.1890	0.3150	5/16-24UNF	0.2559	24.36	17.71
SS-UC209-28	1-3/4		3.3465	1.9370	0.8661	0.7480	1.1890	0.3150	5/16-24UNF	0.2559	24.36	17.71
SS-UC210		50	90	51.6	23	19	32.6	9	M10x1.25	7	26.98	19.84
SS-UC210-32	2		3.5433	2.0315	0.9055	0.7480	1.2835	0.3543	3/8-24UNF	0.2756	26.98	19.84



## SS SB 200 Series

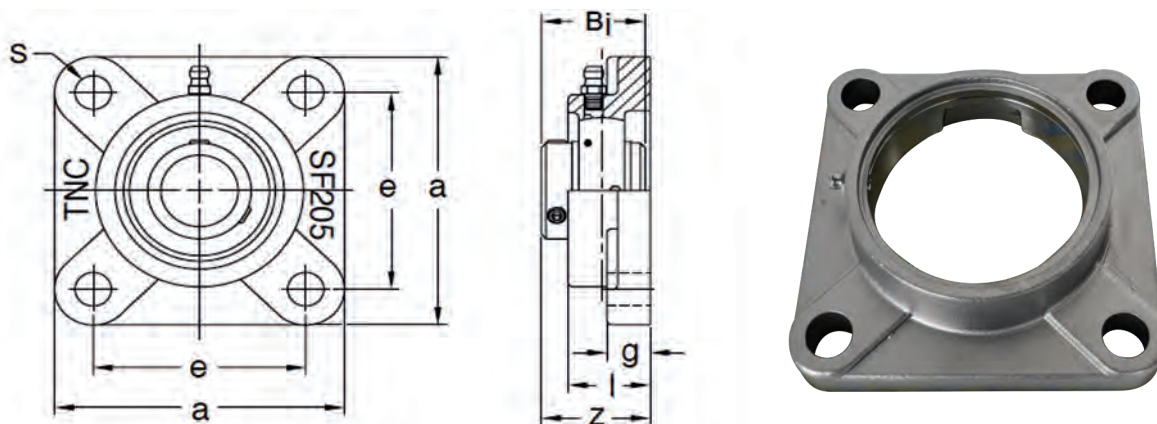
Bearing No.	Shaft Dia.		Dimensions (in. and mm)							Basic Dyn Load Rating (KN)	Basic Static Load Rating (KN)
	d		D	Bi	Be	n	m	G	ds		
	In.	mm							in/mm		
SS-SB203		17	47	22	12	6	16	4.5	M5x0.8	7.36	4.48
SS-SB204		20	47	25	14	7	18	4.5	M6x1	9.88	6.2
SS-SB204-12	3/4		1.8504	0.9843	0.5512	0.2756	0.7087	0.1772	1/4-28UNF	9.88	6.2
SS-SB205		25	52	27	15	7.5	19.5	5	M6x1	10.78	6.98
SS-SB205-16	1		2.0472	1.0630	0.5906	0.2953	0.7677	0.1969	1/4-28UNF	10.78	6.98
SS-SB206		30	62	30	16	8	22	5.5	M8x1	14.97	10.04
SS-SB206-20	1-1/4		2.4409	1.1811	0.6299	0.3150	0.8661	0.2165	5/16x24UNF	14.97	10.04





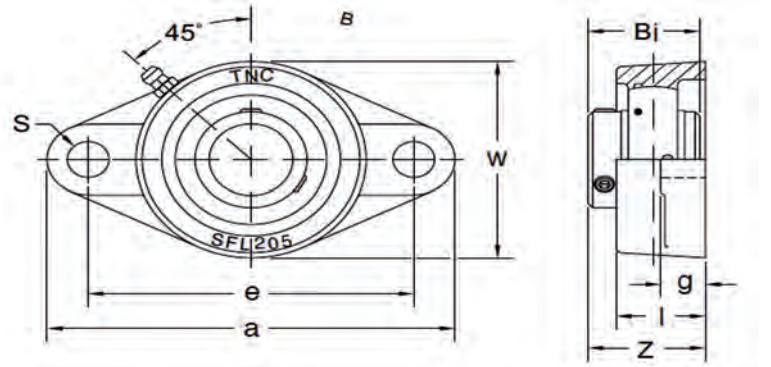
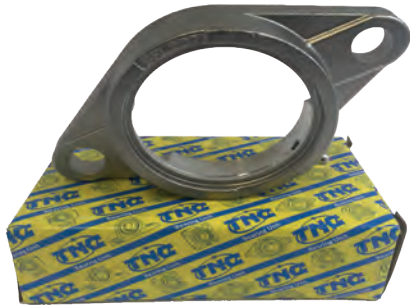
## Stainless Steel P200 Series Pillow BLock Units

Bearing Unit No.	Shaft Dia.		Dimensions (in. and mm)										Bolt	Bearing No.	Housing
	d		h	a	e	B	S2	S1	g	w	Bi	n			
	In.	mm													
SS-UC-SS-P201		12	33.3	127	95	38	19	13	14	65	31.0	12.7	M10	SSUC201	SSP204
SS-UC-SS-P201-08	1/2		1-5/16	5	3-3/4	1-1/2	3/4	1/2	9/16	2-17/32	1.2205	0.5000	M10	SSUC201-08	SSP204
SS-UC-SS-P202		15	33.3	127	95	38	19	13	14	65	31.0	12.7	M10	SSUC202	SSP204
SS-UC-SS-P202-10	5/8		1-5/16	5	3-3/4	1-1/2	3/4	1/2	9/16	2-17/32	1.2205	0.5000	M10	SSUC202-10	SSP204
SS-UC-SS-P203		17	33.3	127	95	38	19	13	14	65	31.0	12.7	M10	SSUC203	SSP204
SS-UC-SS-P204		20	33.3	127	95	38	19	13	14	65	31.0	12.7	M10	SSUC204	SSP204
SS-UC-SS-P204-12	3/4		1-5/16	5	3-3/4	1-1/2	3/4	1/2	9/16	2-17/32	1.2205	0.5000	M10	SSUC204-12	SSP204
SS-UC-SS-P205		25	36.5	140	105	38	19	13	15	71	34	14.3	M10	SSUC205	SSP205
SS-UC-SS-P205-16	1		1-7/16	5-1/2	4-1/8	1-1/2	3/4	1/2	19/32	2-25/32	1.3386	0.5630	M10	SSUC205-16	SSP205
SS-UC-SS-P206		30	42.9	165	121	48	20	17	17	84	38.1	15.9	M14	SSUC206	SSP206
SS-UC-SS-P206-20	1-1/4		1-11/16	6-1/2	4-3/4	1-7/8	25/32	21/32	21/32	3-5/16	1.5000	0.6260	M14	SSUC206-20	SSP206
SS-UC-SS-P207		35	47.6	167	127	48	20	17	18	93	42.9	17.5	M14	SSUC207	SSP207
SS-UC-SS-P207-20	1-1/4		1-7/8	6-9/16	5	1-7/8	25/32	21/32	45/64	3-21/32	1.6890	0.6890	M14	SSUC207-20	SSP207
SS-UC-SS-P207-22	1-3/8		1-7/8	6-9/16	5	1-7/8	25/32	21/32	45/64	3-21/32	1.6890	0.6890	M14	SSUC207-22	SSP207
SS-UC-SS-P207-23	1-7/16		1-7/8	6-9/16	5	1-7/8	25/32	21/32	45/64	3-21/32	1.6890	0.6890	M14	SSUC207-23	SSP207
SS-UC-SS-P208		40	49.2	184	137	54	20	17	18	98	49.2	19	M14	SSUC208	SSP208
SS-UC-SS-P208-24	1-1/2		1-15/16	7-1/4	5-13/32	2-1/8	25/32	21/32	45/64	3-27/32	1.9370	0.7480	M14	SSUC208-24	SSP208
SS-UC-SS-P209		45	54.0	190	146	54	20	17	20	106	49.2	19.0	M14	SSUC209	SSP209
SS-UC-SS-P209-26	1-5/8		2-1/8	7-15/32	5-3/4	2-1/8	25/32	21/32	25/32	4-3/16	1.9370	0.7480	M14	SSUC209-26	SSP209
SS-UC-SS-P209-28	1-3/4		2-1/8	7-15/32	5-3/4	2-1/8	25/32	21/32	25/32	4-3/16	1.9370	0.7480	M14	SSUC209-28	SSP209
SS-UC-SS-P210		50	57.2	206	159	60	23	20	21	113	51.6	19.0	M16	SSUC210	SSP210
SS-UC-SS-P210-32	2		2-1/4	8-1/8	6-1/4	2-3/8	29/32	25/32	53/64	4-7/16	2.0315	0.7480	M16	SSUC210-32	SSP210



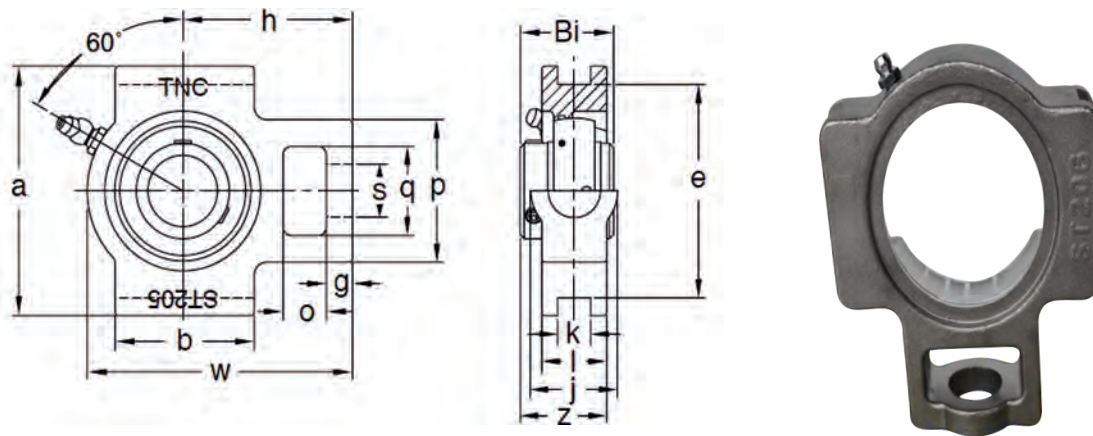
## Stainless Steel F200 Series Flanged Units

Bearing Unit No.	Shaft Dia.		Dimensions (in. and mm)									Bolt	Bearing No.	Housing
	d		a	e	i	g	l	s	z	Bi	n			
	In.	mm												
SS-UC-SS-F201		12	86	64	15	12	25.5	12	33.3	31	12.7	M10	SSUC201	SSF204
SS-UC-SS-F201-08	1/2		3-3/8	2-33/64	19/32	15/32	1	15/32	1-5/16	1.2205	0.500	M10	SSUC201-08	SSF204
SS-UC-SS-F202		15	86	64	15	12	25.5	12	33.3	31	12.7	M10	SSUC202	SSF204
SS-UC-SS-F202-10	5/8		3-3/8	2-33/64	19/32	15/32	1	15/32	1-5/16	1.2205	0.500	M10	SSUC202-10	SSF204
SS-UC-SS-F203		17	86	64	15	12	25.5	12	33.3	31	12.7	M10	SSUC203	SSF204
SS-UC-SS-F204		20	86	64	15	12	25.5	12	33.3	31	12.7	M10	SSUC204	SSF204
SS-UC-SS-F204-12	3/4		3-3/8	2-33/64	19/32	15/32	1	15/32	1-5/16	1.2205	0.500	M10	SSUC204-12	SSF204
SS-UC-SS-F205		25	95	70	16	14	27	12	35.8	34.1	14.3	M10	SSUC205	SSF205
SS-UC-SS-F205-16	1		3-3/4	2-3/4	5/8	35/64	1-1/16	15/32	1-13/32	1.3386	0.563	M10	SSUC205-16	SSF205
SS-UC-SS-F206		30	108	83	18	14	31	12	40.2	38.1	15.9	M10	SSUC206	SSF206
SS-UC-SS-F206-20	1-1/4		4-1/4	3-17/64	45/64	35/64	1-7/32	15/32	1-19/32	1.5	0.626	M10	SSUC206-20	SSF206
SS-UC-SS-F207		35	117	92	19	16	34	14	44.4	42.9	17.5	M12	SSUC207	SSF207
SS-UC-SS-F207-20	1-1/4		4-39/64	3-5/8	3/4	5/8	1-11/32	35/64	1-3/4	1.689	0.689	M12	SSUC207-20	SSF207
SS-UC-SS-F207-22	1-3/8		4-39/64	3-5/8	3/4	5/8	1-11/32	35/64	1-3/4	1.689	0.689	M12	SSUC207-22	SSF207
SS-UC-SS-F207-23	1-7/16		4-39/64	3-5/8	3/4	5/8	1-11/32	35/64	1-3/4	1.689	0.689	M12	SSUC207-23	SSF207
SS-UC-SS-F208		40	130	102	21	16	36	16	51.2	49.2	19	M14	SSUC208	SSF208
SS-UC-SS-F208-24	1-1/2		5-1/8	4-1/64	53/64	5/8	1-13/32	5/8	2-1/32	1.937	0.748	M14	SSUC208-24	SSF208
SS-UC-SS-F209		45	137	105	22	18	38	16	52.2	49.2	19	M14	SSUC209	SSF209
SS-UC-SS-F209-26	1-5/8		5-13/32	4-9/64	55/64	23/32	1-1/2	5/8	2-1/16	1.937	0.748	M14	SSUC209-26	SSF209
SS-UC-SS-F209-28	1-3/4		5-13/32	4-9/64	55/64	23/32	1-1/2	5/8	2-1/16	1.937	0.748	M14	SSUC209-28	SSF209
SS-UC-SS-F210		50	143	111	22	18	40	16	54.6	51.6	19	M14	SSUC210	SSF210
SS-UC-SS-F210-32	2		5-5/8	4-3/8	55/64	23/32	1-9/16	5/8	2-5/32	2.0315	0.748	M14	SSUC210-32	SSF210



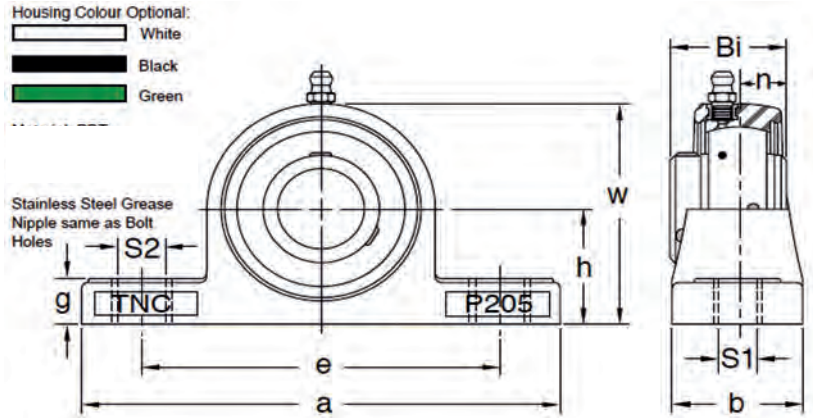
## Stainless Steel FL200 Oval Flanged Units

Bearing Unit No.	Shaft Dia.		Dimensions (in. and mm)										Bolt	Bearing No.	Housing
	d		a	e	i	g	l	s	b	z	Bi	n			
	In.	mm													
SS-UC-SS-FL201		12	113	90	15	11	25.5	12	60	33.3	31	12.7	M10	SSUC201	SSFL204
SS-UC-SS-FL201-08	1/2		4-7/16	3-35/64	19/32	7/16	1	15/32	2-3/8	1-5/16	1.2205	0.5	M10	SSUC201-08	SSFL204
SS-UC-SS-FL202		15	113	90	15	11	25.5	12	60	33.3	31	12.7	M10	SSUC202	SSFL204
SS-UC-SS-FL202-10	5/8		4-7/16	3-35/64	19/32	7/16	1	15/32	2-3/8	1-5/16	1.2205	0.5	M10	SSUC202-10	SSFL204
SS-UC-SS-FL203		17	113	90	15	11	25.5	12	60	33.3	31	12.7	M10	SSUC203	SSFL204
SS-UC-SS-FL204		20	113	90	15	11	25.5	12	60	33.3	31	12.7	M10	SSUC204	SSFL204
SS-UC-SS-FL204-12	3/4		4-7/16	3-35/64	19/32	7/16	1	15/32	2-3/8	1-5/16	1.2205	0.5	M10	SSUC202-10	SSFL204
SS-UC-SS-FL205		25	130	99	16	13	27	16	68	35.7	34.1	14.3	M14	SSUC205	SSFL205
SS-UC-SS-FL205-16	1		5-1/8	3-57/64	5/8	1/2	1-1/16	5/8	2-11/16	1-13/32	1.3386	0.563	M14	SSUC205-16	SSFL205
SS-UC-SS-FL206		30	148	117	18	13	31	16	80	40.2	38.1	15.9	M14	SSUC206	SSFL206
SS-UC-SS-FL206-20	1-1/4		5-13/16	4-39/64	45/64	1/2	1-7/32	5/8	3-5/32	1-19/32	1.5	0.626	M14	SSUC206-20	SSFL206
SS-UC-SS-FL207		35	161	130	19	14	34	16	90	44.4	42.9	17.5	M14	SSUC207	SSFL207
SS-UC-SS-FL207-20	1-1/4		6-11/32	5-1/8	3/4	9/16	1-11/32	5/8	3-17/32	1-3/4	1.689	0.689	M14	SSUC207-20	SSFL207
SS-UC-SS-FL207-22	1-3/8		6-11/32	5-1/8	3/4	9/16	1-11/32	5/8	3-17/32	1-3/4	1.689	0.689	M14	SSUC207-22	SSFL207
SS-UC-SS-FL207-23	1-7/16		6-11/32	5-1/8	3/4	9/16	1-11/32	5/8	3-17/32	1-3/4	1.689	0.689	M14	SSUC207-23	SSFL207
SS-UC-SS-FL208		40	175	144	21	14	36	16	100	51.2	49.2	19	M14	SSUC208	SSFL208
SS-UC-SS-FL208-24	1-1/2		6-7/8	5-43/64	53/64	9/16	1-13/32	5/8	3-15/16	2-1/32	1.937	0.748	M14	SSUC208-24	SSFL208
SS-UC-SS-FL209		45	188	148	22	15	38	19	108	52.2	49.2	19	M16	SSUC209	SSFL209
SS-UC-SS-FL209-26	1-5/8		7-13/32	5-53/64	55/64	19/32	1-1/2	3/4	4-1/4	2-1/16	1.937	0.748	M16	SSUC209-26	SSFL209
SS-UC-SS-FL209-28	1-3/4		7-13/32	5-53/64	55/64	19/32	1-1/2	3/4	4-1/4	2-1/16	1.937	0.748	M16	SSUC209-28	SSFL209
SS-UC-SS-FL210		50	197	157	22	15	40	19	115	54.6	51.6	19	M16	SSUC210	SSFL210
SS-UC-SS-FL210-32	2		7-3/4	6-3/16	55/64	19/32	1-9/16	3/4	4-17/32	2-5/32	2.0315	0.748	M16	SSUC210-32	SSFL210



## Stainless Steel T200 Series Take Up Units

Bearing Unit No.	Shaft Dia.		Dimensions (in. and mm)																Bearing No.	Housing
	d		o	g	p	q	s	b	k	e	a	w	i	l	h	t	Bi	n		
	In.	mm																		
SS-UC-SS-T201		12	16	10	51	32	19	51	15	76	89	94	32	21	61	44.5	31	12.7	SSUC201	SST204
SS-UC-SS-T201-08	1/2		5/8	13/32	2	1-1/4	3/4	2	15/32	2-63/64	3-1/2	3-11/16	1-1/4	15/16	2-13/32	1-3/4	1.2205	0.5000	SSUC201-08	SST204
SS-UC-SS-T202		15	16	10	51	32	19	51	15	76	89	94	32	21	61	44.5	31	12.7	SSUC202	SST204
SS-UC-SS-T202-10	5/8		5/8	13/32	2	1-1/4	3/4	2	15/32	2-63/64	3-1/2	3-11/16	1-1/4	15/16	2-13/32	1-3/4	1.2205	0.5000	SSUC202-10	SST204
SS-UC-SS-T203		17	16	10	51	32	19	51	15	76	89	94	32	21	61	44.5	31	12.7	SSUC203	SST204
SS-UC-SS-T204		20	16	10	51	32	19	51	15	76	89	94	32	21	61	44.5	31	12.7	SSUC204	SST204
SS-UC-SS-T204-12	3/4		5/8	13/32	2	1-1/4	3/4	2	15/32	2-63/64	3-1/2	3-11/16	1-1/4	15/16	2-13/32	1-3/4	1.2205	0.5000	SSUC202-10	SST204
SS-UC-SS-T205		25	16	10	51	32	19	51	12	76	89	97	32	24	62	48	34.1	14.3	SSUC205	SST205
SS-UC-SS-T205-16	1		5/8	13/32	2	1-1/4	3/4	2	15/32	2-63/64	3-1/2	3-13/16	1-1/4	15/16	2-7/16	1-7/8	1.3425	0.563	SSUC205-16	SST205
SS-UC-SS-T206		30	16	10	56	37	22	57	12	89	102	113	37	28	70	53	38.1	15.9	SSUC206	SST206
SS-UC-SS-T206-20	1-1/4		5/8	13/32	2-7/32	1-15/32	55/64	2-1/4	15/32	3-1/2	4-1/32	4-7/16	1-15/32	1-3/32	2-3/4	2-3/32	1.500	0.626	SSUC206-20	SST206
SS-UC-SS-T207		35	16	13	64	37	22	64	12	89	102	129	37	30	78	59.5	42.9	17.5	SSUC207	SST207
SS-UC-SS-T207-20	1-1/4		5/8	1/2	2-17/32	1-15/32	55/64	2-17/32	15/32	3-1/2	4-1/32	5-3/32	1-15/32	1-3/16	3-1/16	2-11/32	1.689	0.748	SSUC207-20	SST207
SS-UC-SS-T207-22	1-3/8		5/8	1/2	2-17/32	1-15/32	55/64	2-17/32	15/32	3-1/2	4-1/32	5-3/32	1-15/32	1-3/16	3-1/16	2-11/32	1.689	0.748	SSUC207-22	SST207
SS-UC-SS-T207-23	1-7/16		5/8	1/2	2-17/32	1-15/32	55/64	2-17/32	15/32	3-1/2	4-1/32	5-3/32	1-15/32	1-3/16	3-1/16	2-11/32	1.689	0.748	SSUC207-23	SST207
SS-UC-SS-T208		40	19	16	83	49	29	83	16	102	114	144	49	33	88	69	49.2	19	SSUC208	SST208
SS-UC-SS-T208-24	1-1/2		3/4	5/8	3-9/32	1-15/16	1-9/64	3-9/32	5/8	4-1/64	4-1/2	5-21/32	1-15/16	1-5/16	3/15/32	2-23/32	1.937	0.748	SSUC208-24	SST208
SS-UC-SS-T209		45	19	16	83	49	29	83	16	102	117	144	49	35	87	69	49.2	19	SSUC209	SST209
SS-UC-SS-T209-26	1-5/8		3/4	5/8	3-9/32	1-15/16	1-9/64	3-9/32	5/8	4-1/64	4-19/32	5-21/32	1-15/16	1-3/8	3-7/16	2-23/32	1.937	0.748	SSUC209-26	SST209
SS-UC-SS-T209-28	1-3/4		3/4	5/8	3-9/32	1-15/16	1-9/64	3-9/32	5/8	4-1/64	4-19/32	5-21/32	1-15/16	1-3/8	3-7/16	2-23/32	1.937	0.748	SSUC209-28	SST209
SS-UC-SS-T210		50	19	16	83	49	29	86	16	102	117	149	49	37	90	74.5	51.6	19	SSUC210	SST210
SS-UC-SS-T210-32	2		3/4	5/8	3-9/32	1-15/16	1-9/64	3-3/8	5/8	4-1/64	4-19/32	5-7/8	1-15/16	1-15/32	3-17/32	2-15/16	2.0135	0.748	SSUC210-32	SST210



## Thermoplastic Housings PLP200 Series Pillow Block Units

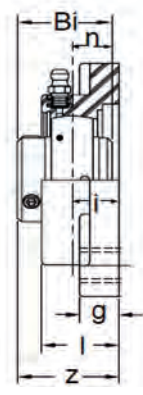
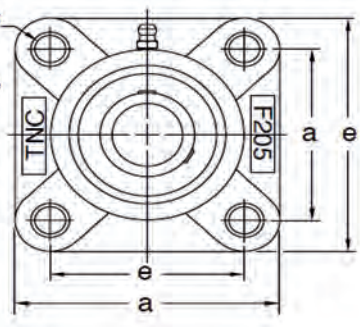
Bearing Unit No.	Shaft Dia.		Dimensions (in. and mm)										Bolt	Bearing No.	Housing
	d		h	a	e	B	S2	S1	g	w	Bi	n			
	In.	mm													
SS-UC-PL-P201		12	333	127	95	38	14	11	14	65	310	127	M10	SSUC201	PL-P204
SS-UC-PL-P201-08	1/2		1-5/16	5	3-3/4	1-1/2	35/64	7/16	9/16	2-17/32	12205	05000	M10	SSUC201-08	PL-P204
SS-UC-PL-P202		15	333	127	95	38	14	11	14	65	310	127	M10	SSUC202	PL-P204
SS-UC-PL-P202-10	5/8		1-5/16	5	3-3/4	1-1/2	35/64	7/16	9/16	2-17/32	12205	05000	M10	SSUC202-10	PL-P204
SS-UC-PL-P203		17	333	127	95	38	14	11	14	65	310	127	M10	SSUC203	PL-P204
SS-UC-PL-P204		20	333	127	95	38	14	11	14	65	310	127	M10	SSUC204	PL-P204
SS-UC-PL-P204-12	3/4		1-5/16	5	3-3/4	1-1/2	35/64	7/16	9/16	2-17/32	12205	05000	M10	SSUC204-12	PL-P204
SS-UC-PL-P205		25	365	140	105	38	14	11	15	71	34	143	M10	SSUC205	PL-P205
SS-UC-PL-P205-16	1		1-7/16	5-1/2	4-1/8	1-1/2	35/64	7/16	19/32	2-25/32	13386	05630	M10	SSUC205-16	PL-P205
SS-UC-PL-P206		30	429	165	121	48	18	14	17	84	381	159	M14	SSUC206	PL-P206
SS-UC-PL-P206-20	1-1/4		1-11/16	6-1/2	4-3/4	1-7/8	23/32	35/64	21/32	3-5/16	15000	06260	M14	SSUC206-20	PL-P206
SS-UC-PL-P207		35	476	167	127	48	18	14	18	93	429	175	M14	SSUC207	PL-P207
SS-UC-PL-P207-20	1-1/4		1-7/8	6-9/16	5	1-7/8	23/32	35/64	45/64	3-21/32	16890	06890	M14	SSUC207-20	PL-P207
SS-UC-PL-P207-22	1-3/8		1-7/8	6-9/16	5	1-7/8	23/32	35/64	45/64	3-21/32	16890	06890	M14	SSUC207-22	PL-P207
SS-UC-PL-P207-23	1-7/16		1-7/8	6-9/16	5	1-7/8	23/32	35/64	45/64	3-21/32	16890	06890	M14	SSUC207-23	PL-P207
SS-UC-PL-P208		40	492	184	137	54	18	14	18	98	492	19	M14	SSUC208	PL-P208
SS-UC-PL-P208-24	1-1/2		1-15/16	7-1/4	5-13/32	2-1/8	23/32	35/64	45/64	3-27/32	19370	07480	M14	SSUC208-24	PL-P208
SS-UC-PL-P209		45	540	190	146	54	20	17	20	106	492	190	M14	SSUC209	PL-P209
SS-UC-PL-P209-26	1-5/8		2-1/8	7-15/32	5-3/4	2-1/8	25/32	43/64	25/32	4-3/16	19370	07480	M14	SSUC209-26	PL-P209
SS-UC-PL-P209-28	1-3/4		2-1/8	7-15/32	5-3/4	2-1/8	25/32	43/64	25/32	4-3/16	19370	07480	M14	SSUC209-28	PL-P209
SS-UC-PL-P210		50	572	206	159	60	23	17	20	113	516	190	M16	SSUC210	PL-P210
SS-UC-PL-P210-32	2		2-1/4	8-1/8	6-1/4	2-3/8	29/32	43/64	25/32	4-7/16	20315	07480	M16	SSUC210-32	PL-P210

Note: Open cap and back seal available

Thermoplastic Housing Specifications - Breaking Point Test (lbf.)							
Mode of Load	204	205	206	207	208	209	210
	1978	3080	2844	2866	2945	3003	3113
	1731	2448	2383	2428	2495	2562	2641
	1124	1821	1292	1686	1910	2012	2146
Maximum Torque Values							
Bolt Diameter in. (mm)	3/8 (M10)	3/8 (M10)	1/2 (M12)	1/2 (M12)	1/2 (M12)	5/8 (M16)	5/8 (M16)
Torque lb. - in.	13	18	22	25	33	36	40

Housing Colour Optional:  
 White  
 Black  
 Green

Material: PBT  
 Solid Base  
 Stainless Steel Grease Nipple same as Bolt Holes



## Thermoplastic Housings PLF200 Series Flanged Units

Bearing Unit No.	Shaft Dia.		Dimensions (in. and mm)									Bolt	Bearing No.	Housing
	d		a	e	i	g	l	s	z	Bi	n			
	In.	mm												
SS-UC-PL-F201		12	86	63.5	18	13.4	27.8	11	36.3	31	12.7	M10	SSUC201	PLF204
SS-UC-PL-F201-08	1/2		3-3/8	2-1/2	45/64	17/32	1-3/32	7/16	1-27/64	1.2205	0.500	M10	SSUC201-08	PLF204
SS-UC-PL-F202		15	86	63.5	18	13.4	27.8	11	36.3	31	12.7	M10	SSUC202	PLF204
SS-UC-PL-F202-10	5/8		3-3/8	2-1/2	45/64	17/32	1-3/32	7/16	1-27/64	1.2205	0.500	M10	SSUC202-10	PLF204
SS-UC-PL-F203		17	86	63.5	18	13.4	27.8	11	36.3	31	12.7	M10	SSUC203	PLF204
SS-UC-PL-F204		20	86	63.5	18	13.4	27.8	11	36.3	31	12.7	M10	SSUC204	PLF204
SS-UC-PL-F204-12	3/4		3-3/8	2-1/2	45/64	17/32	1-3/32	7/16	1-27/64	1.2205	0.500	M10	SSUC204-12	PLF204
SS-UC-PL-F205		25	95	70	17	14.3	28	11	36.7	34.1	14.3	M10	SSUC205	PLF205
SS-UC-PL-F205-16	1		3-3/4	2-3/4	43/64	9/16	1-7/64	7/16	1-29/64	1.3386	0.563	M10	SSUC205-16	PLF205
SS-UC-PL-F206		30	108	83	19.2	14.3	31.7	11	41.4	38.1	15.9	M10	SSUC206	PLF206
SS-UC-PL-F206-20	1-1/4		4-1/4	3-17/64	3/4	9/16	1-1/4	7/16	1-5/8	1.5	0.626	M10	SSUC206-20	PLF206
SS-UC-PL-F207		35	118	92	21.5	15.5	34.8	13	46.9	42.9	17.5	M12	SSUC207	PLF207
SS-UC-PL-F207-20	1-1/4		4-5/8	3-5/8	27/32	39/64	1-3/8	33/64	1-27/32	1.689	0.689	M12	SSUC207-20	PLF207
SS-UC-PL-F207-22	1-3/8		4-5/8	3-5/8	27/32	39/64	1-3/8	33/64	1-27/32	1.689	0.689	M12	SSUC207-22	PLF207
SS-UC-PL-F207-23	1-7/16		4-5/8	3-5/8	27/32	39/64	1-3/8	33/64	1-27/32	1.689	0.689	M12	SSUC207-23	PLF207
SS-UC-PL-F208		40	130	102	23	17	37.5	14	53.2	49.2	19	M12	SSUC208	PLF208
SS-UC-PL-F208-24	1-1/2		5-1/8	4-1/64	13/16	43/64	1-15/32	35/64	2-3/32	1.937	0.748	M12	SSUC208-24	PLF208
SS-UC-PL-F209		45	137	105	24	19	41	17	54.2	49.2	19	M16	SSUC209	PLF209
SS-UC-PL-F209-26	1-5/8		5-13/32	4-9/64	31/32	3/4	1-39/64	43/64	2-9/64	1.937	0.748	M16	SSUC209-26	PLF209
SS-UC-PL-F209-28	1-3/4		5-13/32	4-9/64	31/32	3/4	1-39/64	43/64	2-9/64	1.937	0.748	M16	SSUC209-28	PLF209
SS-UC-PL-F210		50	143	111	25	21	43	17	57.6	51.6	19	M16	SSUC210	PLF210
SS-UC-PL-F210-32	2		5-5/8	4-3/8	63/64	53/64	1-11/16	43/64	2-17/64	2.0315	0.748	M16	SSUC210-32	PLF210

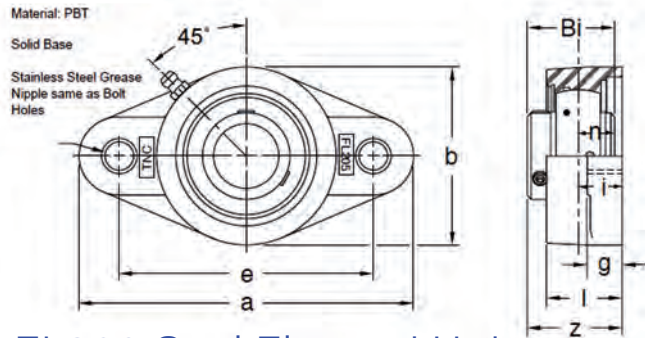
Mode of Load	204	205	206	207	208	209	210
	3585	2922	4046	4159	4294	4350	4417
	2304	2731	3979	4159	4328	4350	4410
	821	753	753	791	852	865	896
Maximum Torque Values							
Bolt Diameter (in./mm)	3/8 (M10)	3/8 (M10)	3/8 (M10)	1/2 (M12)	1/2 (M12)	5/8 (M16)	5/8 (M16)
Torque lb.-in./N.m	13	18	22	25	33	36	40

Note: Open cap and back seal available





Housing Colour Optional:  
 White



## Thermoplastic Housings PLFL200 Oval Flanged Units

Bearing Unit No.	Shaft Dia. d	Dimensions (in. and mm)											Bolt	Bearing No.	Housing	
		d		a	e	i	g	l	s	b	z	Bi				n
		In.	mm													
SS-UC-PL-FL201		12	113	90	15.4	11.4	26.5	11	63.5	33.7	31	12.7	M10	SSUC201	PLFL204	
SS-UC-PL-FL201-08	1/2		4-7/16	3-35/64	39/64	29/64	1-3/64	7/16	2-1/2	1-21/64	1.2205	0.5	M10	SSUC201-08	PLFL204	
SS-UC-PL-FL202		15	113	90	15.4	11.4	26.5	11	63.5	33.7	31	12.7	M10	SSUC202	PLFL204	
SS-UC-PL-FL202-10	5/8		4-7/16	3-35/64	39/64	29/64	1-3/64	7/16	2-1/2	1-21/64	1.2205	0.5	M10	SSUC202-10	PLFL204	
SS-UC-PL-FL203		17	113	90	15.4	11.4	26.5	11	63.5	33.7	31	12.7	M10	SSUC203	PLFL204	
SS-UC-PL-FL204		20	113	90	15.4	11.4	26.5	11	63.5	33.7	31	12.7	M10	SSUC204	PLFL204	
SS-UC-PL-FL204-12	3/4		4-7/16	3-35/64	39/64	29/64	1-3/64	7/16	2-1/2	1-21/64	1.2205	0.5	M10	SSUC204-12	PLFL204	
SS-UC-PL-FL205		25	130	99	17	13.5	29.1	11	69.9	36.7	34.1	14.3	M14	SSUC205	PLFL205	
SS-UC-PL-FL205-16	1		5-1/8	3-57/64	43/64	17/32	1-9/64	7/16	2-3/4	1-29/64	1.3386	0.563	M14	SSUC205-16	PLFL205	
SS-UC-PL-FL206		30	148	117	19	13.3	30.5	11	80	41.2	38.1	15.9	M14	SSUC206	PLFL206	
SS-UC-PL-FL206-20	1-1/4		5-13/16	4-39/64	3/4	33/64	1-13/64	7/16	3-5/32	1-5/8	1.5	0.626	M14	SSUC206-20	PLFL206	
SS-UC-PL-FL207		35	164	130	18	16.1	32.8	13	90	43.4	42.9	17.5	M14	SSUC207	PLFL207	
SS-UC-PL-FL207-20	1-1/4		6-7/8	5-1/8	23/32	41/64	1-19/64	33/64	3-17/32	1-45/64	1.689	0.689	M14	SSUC207-20	PLFL207	
SS-UC-PL-FL207-22	1-3/8		6-7/8	5-1/8	23/32	41/64	1-19/64	33/64	3-17/32	1-45/64	1.689	0.689	M14	SSUC207-22	PLFL207	
SS-UC-PL-FL207-23	1-7/16		6-7/8	5-1/8	23/32	41/64	1-19/64	33/64	3-17/32	1-45/64	1.689	0.689	M14	SSUC207-23	PLFL207	
SS-UC-PL-FL208		40	175	144	21.5	20	37.5	14	100	51.7	49.2	19	M14	SSUC208	PLFL208	
SS-UC-PL-FL208-24	1-1/2		6-7/8	5-43/64	27/32	25/32	1-31/64	35/64	3-15/16	2-1/32	1.937	0.748	M14	SSUC208-24	PLFL208	
SS-UC-PL-FL209		45	188	148	24	21	41	17	108	54.2	49.2	19	M16	SSUC209	PLFL209	
SS-UC-PL-FL209-26	1-5/8		7-13/32	5-53/64	31/32	53/64	1-39/64	43/64	4-1/4	2-9/64	1.937	0.748	M16	SSUC209-26	PLFL209	
SS-UC-PL-FL209-28	1-3/4		7-13/32	5-53/64	31/32	53/64	1-39/64	43/64	4-1/4	2-9/64	1.937	0.748	M16	SSUC209-28	PLFL209	
SS-UC-PL-FL210		50	197	157	25	21	43	17	115	57.6	51.6	19	M16	SSUC210	PLFL210	
SS-UC-PL-FL210-32	2		7-3/4	6-3/16	63/64	53/64	1-11/16	43/64	4-17/32	2-17/64	2.0315	0.748	M16	SSUC210-32	PLFL210	

Thermoplastic Housing Specifications - Breaking Point Test (lbf.)							
Mode of Load	204	205	206	207	208	209	210
	2642	2557	3698	3799	3900	3956	4035
	2473	3114	3001	3136	3159	3214	3270
	1910	2495	3192	3350	3409	3450	3518
Maximum Torque Values							
Bolt Diameter in. (mm)	3/8 (M10)	3/8 (M10)	3/8 (M10)	1/2 (M12)	1/2 (M12)	5/8 (M16)	5/8 (M16)
Torque lb. - in.	13	18	22	25	33	36	40

Note: Open cap and back seal available

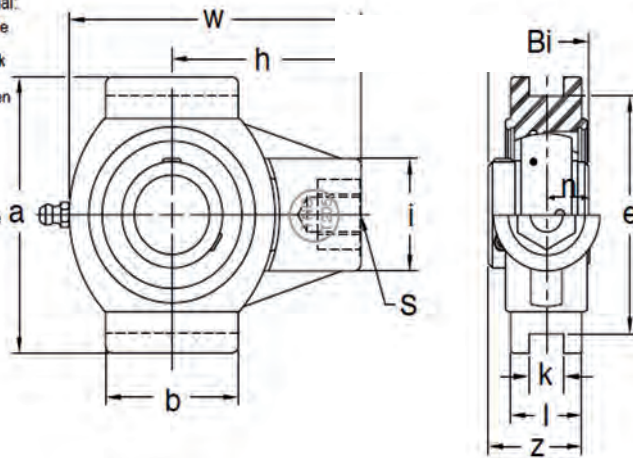
Housing Colour Optional:

- White
- Black
- Green

Material: PBT

Solid Base

Stainless Steel Grease Nipple same as Bolt Holes

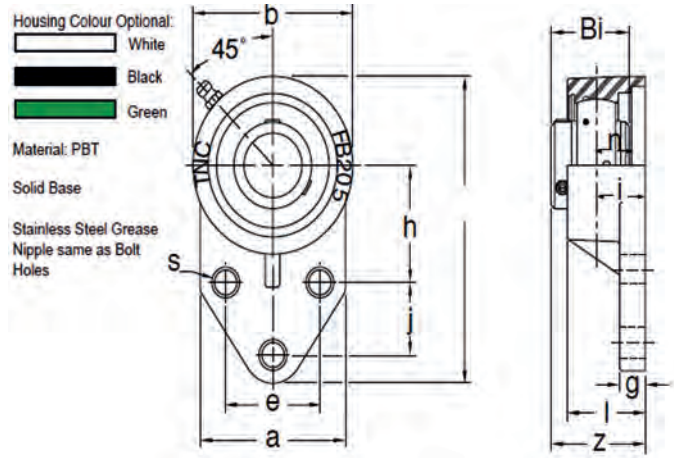


## Thermoplastic Housings PLT200 Series Take Up Units

Bearing Unit No.	Shaft Dia.		Dimensions (in. and mm)											Bearing No.	Housing
	d		a	e	h	w	l	k	i	s	b	Bi	n		
	In.	mm													
SS-UC-PL-T201		12	88.5	76	64	99	24.2	12	36	M16	47	31	12.7	SSUC201	PLT204
SS-UC-PL-T201-08	1/2		3-31/64	2-63/64	2-17/32	3-57/64	61/64	15/32	1-13/32	M16	1-27/32	1.2205	0.5000	SSUC201-08	PLT204
SS-UC-PL-T202		15	88.5	76	64	99	24.2	12	36	M16	47	31	12.7	SSUC202	PLT204
SS-UC-PL-T202-10	5/8		3-31/64	2-63/64	2-17/32	3-57/64	61/64	15/32	1-13/32	M16	1-27/32	1.2205	0.5000	SSUC202-10	PLT204
SS-UC-PL-T203		17	88.5	76	64	99	24.2	12	36	M16	47	31	12.7	SSUC203	PLT204
SS-UC-PL-T204		20	88.5	76	64	99	24.2	12	36	M16	47	31	12.7	SSUC204	PLT204
SS-UC-PL-T204-12	3/4		3-31/64	2-63/64	2-17/32	3-57/64	61/64	15/32	1-13/32	M16	1-27/32	1.2205	0.5000	SSUC204-12	PLT204
SS-UC-PL-T205		25	88.5	76	64	99	24.2	12	36	M16	47	34.1	14.3	SSUC205	PLT205
SS-UC-PL-T205-16	1		3-31/64	2-63/64	2-17/32	3-57/64	61/64	15/32	1-13/32	M16	1-27/32	1.3425	0.563	SSUC205-16	PLT205
SS-UC-PL-T206		30	102	89	76	125	29.8	12	40	M16	63	38.1	15.9	SSUC206	PLT206
SS-UC-PL-T206-20	1-1/4		4-1/64	3-1/2	2-63/64	4-59/64	1-11/64	15/32	1-37/64	M16	2-31/64	1.500	0.626	SSUC206-20	PLT206
SS-UC-PL-T207		35	102	89	76	125	29.8	12	40	M16	63	42.9	17.5	SSUC207	PLT207
SS-UC-PL-T207-20	1-1/4		4-1/64	3-1/2	2-63/64	4-59/64	1-11/64	15/32	1-37/64	M16	2-31/64	1.689	0.748	SSUC207-20	PLT207
SS-UC-PL-T207-22	1-3/8		4-1/64	3-1/2	2-63/64	4-59/64	1-11/64	15/32	1-37/64	M16	2-31/64	1.689	0.748	SSUC207-22	PLT207
SS-UC-PL-T207-23	1-7/16		4-1/64	3-1/2	2-63/64	4-59/64	1-11/64	15/32	1-37/64	M16	2-31/64	1.689	0.748	SSUC207-23	PLT207
SS-UC-PL-T208		40	114	102	85	140	32.1	16	40	M16	80	49.2	19	SSUC208	PLT208
SS-UC-PL-T208-24	1-1/2		4-31/64	4-1/64	3-11/32	5-33/64	1-17/64	5/8	1-37/64	M16	3-5/32	1.937	0.748	SSUC208-24	PLT208

Mode of Load	204	205	206	207	208
	3325	3485	3550	3710	3890
	880	1020	1150	1480	1755
	1910	2325	2450	2540	2735

Note: Open cap and back seal available



## Thermoplastic Housings PLFB200 Series Flanged Bracket Units

Bearing Unit No.	Shaft Dia.		Dimensions (in. and mm)													Bolt	Bearing No.	Housing
	d		a	b	f	l	s	g	h	j	e	i	z	Bi	n			
	In.	mm																
SS-UC-PL-FB201		12	108	63.5	60.3	25.4	10	8	42.3	22	38.1	15.9	34.1	31	12.7	M8	SSUC201	PLFB204
SS-UC-PL-FB201-08	1/2		4-1/4	2-1/2	2-3/8	1	25/64	5/16	1-45/64	7/8	1-1/2	5/8	1-11/32	1.2205	0.5	M8	SSUC201-08	PLFB204
SS-UC-PL-FB202		15	108	63.5	60.3	25.4	10	8	42.3	22	38.1	15.9	34.1	31	12.7	M8	SSUC202	PLFB204
SS-UC-PL-FB202-10	5/8		4-1/4	2-1/2	2-3/8	1	25/64	5/16	1-45/64	7/8	1-1/2	5/8	1-11/32	1.2205	0.5	M8	SSUC202-10	PLFB204
SS-UC-PL-FB203		17	108	63.5	60.3	25.4	10	8	42.3	22	38.1	15.9	34.1	31	12.7	M8	SSUC203	PLFB204
SS-UC-PL-FB204		20	108	63.5	60.3	25.4	10	8	42.3	22	38.1	15.9	34.1	31	12.7	M8	SSUC204	PLFB204
SS-UC-PL-FB204-12	3/4		4-1/4	2-1/2	2-3/8	1	25/64	5/16	1-45/64	7/8	1-1/2	5/8	1-11/32	1.2205	0.5	M8	SSUC204-12	PLFB204
SS-UC-PL-FB205		25	121	70	63.5	28.6	10	9.5	46	28.5	41.3	15.9	36.5	34.1	14.3	M8	SSUC205	PLFB205
SS-UC-PL-FB205-16	1		4-3/4	2-3/4	2-1/2	1-1/8	25/64	3/8	1-13/16	1-1/8	1-5/8	5/8	1-7/16	1.3425	0.563	M8	SSUC205-16	PLFB205
SS-UC-PL-FB206		30	136	82.6	70	31.7	10	9.5	52.4	31.7	47.6	16.7	40.9	38.1	15.9	M8	SSUC206	PLFB206
SS-UC-PL-FB206-20	1-1/4		5-3/8	3-1/4	2-3/4	1-1/4	25/64	3/8	2-1/16	1-1/4	1-7/8	21/32	1-39/64	1.5	0.626	M8	SSUC206-20	PLFB206
SS-UC-PL-FB207		35	156	95.3	82.6	36.5	13	12.7	60.3	31.7	50.8	18.6	46.4	42.9	17.5	M8	SSUC207	PLFB207
SS-UC-PL-FB207-20	1-1/4		6-1/8	3-3/4	3-1/4	1-7/16	33/64	1/2	2-3/8	1-1/4	2	47/64	1-53/64	1.689	0.689	M8	SSUC207-20	PLFB207
SS-UC-PL-FB207-22	1-3/8		6-1/8	3-3/4	3-1/4	1-7/16	33/64	1/2	2-3/8	1-1/4	2	47/64	1-53/64	1.689	0.689	M8	SSUC207-22	PLFB207
SS-UC-PL-FB207-23	1-7/16		6-1/8	3-3/4	3-1/4	1-7/16	33/64	1/2	2-3/8	1-1/4	2	47/64	1-53/64	1.689	0.689	M8	SSUC207-23	PLFB207
SS-UC-PL-FB208		40	164	100	78	35.7	12	15.9	60.3	41.3	50	21	51.2	49.2	19	M10	SSUC208	PLFB208
SS-UC-PL-FB208-24	1-1/2		6-15/32	3-15/16	3-1/16	1-13/32	15/32	5/8	2-3/8	1-5/8	1-31/32	53/64	2-1/64	1.937	0.748	M10	SSUC208-24	PLFB208

Note: Open cap and back seal available

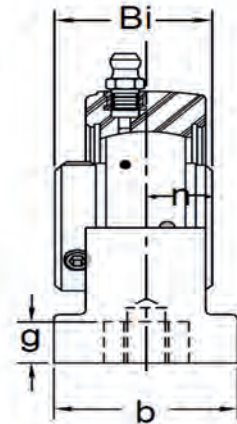
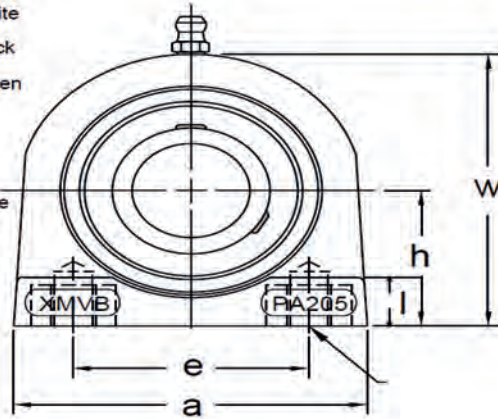
Thermoplastic Housing Specifications - Breaking Point Test (lbf.)				
Mode of Load	204	205	206	207
	1620	2050	2745	2900
	2070	2500	2655	2680
	585	630	651	700

Housing Colour Optional:  
 White  
 Black  
 Green

Material: PBT

Solid Base

Stainless Steel Grease Nipple same as Bolt Holes

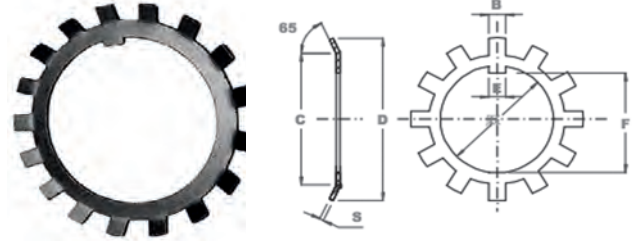
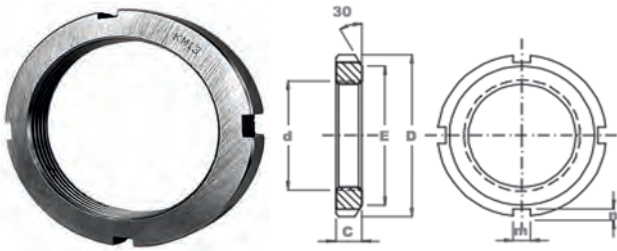


## Thermoplastic Housings PLPA200 Series Pillow Block Units

Bearing Unit No.	Shaft Dia.		Dimensions (in. and mm)										Bolt	Bearing No.	Housing
	d		h	a	e	b	S	g	w	l	Bi	n			
	In.	mm													
SS-UC-PL-PA204		20	33.3	72.8	50.8	34.5	M8	11	66	13	31.0	12.7	M10	SSUC204	PL-PA204
SS-UC-PL-PA204-12	3/4		1-5/16	2-7/8	2	1-23/64	M8	7/16	2-19/32	1/2	1.2205	0.5000	M10	SSUC204-12	PL-PA204
SS-UC-PL-PA205		25	36.5	76.2	50.8	39.7	M10	12	73.5	13	34.0	14.3	M10	SSUC205	PL-PA205
SS-UC-PL-PA205-16	1		1-7/16	3	2	1-9/16	M10	15/32	2-57/64	1/2	1.3386	0.5630	M10	SSUC205-16	PL-P205
SS-UC-PL-PA206		30	42.9	101.6	76.2	39.7	M10	12	84	16	38.1	15.9	M14	SSUC206	PL-P2A06
SS-UC-PL-PA206-20	1-1/4		1-11/16	4	3	1-43/64	M10	15/32	3-5/16	5/8	1.5000	0.6260	M14	SSUC206-20	PL-PA206
SS-UC-PL-PA207		35	47.6	111	82.6	47.6	M10	12	95	19	42.9	17.5	M14	SSUC207	PL-PA207
SS-UC-PL-PA207-20	1-1/4		1-7/8	4-3/8	3-1/4	1-7/8	M10	15/32	3-3/4	3/4	1.6890	0.6890	M14	SSUC207-20	PL-PA207
SS-UC-PL-PA207-22	1-3/8		1-7/8	4-3/8	3-1/4	1-7/8	M10	15/32	3-3/4	3/4	1.6890	0.6890	M14	SSUC207-22	PL-PA207
SS-UC-PL-PA207-23	1-7/16		1-7/8	4-3/8	3-1/4	1-7/8	M10	15/32	3-3/4	3/4	1.6890	0.6890	M14	SSUC207-23	PL-PA207
SS-UC-PL-PA208		40	49.2	120	88.9	47.6	M12	12	100.5	19	49.2	19	M14	SSUC208	PL-PA208
SS-UC-PL-PA208-24	1-1/2		1-15/16	4-23/32	3-1/2	1-7/8	M12	15/32	3-61/64	3/4	1.9370	0.7480	M14	SSUC208-24	PL-PA208
SS-UC-PL-PA210		50	57.2	135	101.6	51	M16	14	115	22	51.6	19.0	M16	SSUC210	PL-PA210
SS-UC-PL-PA210-32	2		2-1/4	5-3/16	4	2	M16	9/16	4-17/32	7/8	2.0315	0.7480	M16	SSUC210-32	PL-PA210

Note: Open cap and back seal available

Thermoplastic Housing Specifications - Breaking Point Test (lbf.)						
Mode of Load	204	205	206	207	208	209
	1846	1920	2330	2730	2748	2900
	1551	1575	1480	1818	2045	2338
	670	640	1110	1830	2202	2407



## KM Series Lock Nuts

Part #	d	D	C	E	M	N	Wgt KG
KM00	M10X0.75	18	4	13.5	3	2	0.004
KM01	M12X1	22	4	17	3	2	0.007
KM02	M15X1	25	5	21	4	2	0.01
KM03	M17X1	28	5	24	4	2	0.013
KM04	M20X1	32	6	26	4	2	0.019
KM05	M25X1.5	38	7	32	5	2	0.025
KM06	M30X1.5	45	7	38	5	2	0.043
KM07	M35X1.5	52	8	44	5	2	0.053
KM08	M40X1.5	58	9	50	6	2.5	0.085
KM09	M45X1.5	65	10	56	6	2.5	0.119
KM10	M50X1.5	70	11	61	6	2.5	0.148
KM11	M55X2	75	11	67	7	3	0.158
KM12	M60X2	80	11	73	7	3	0.174
KM13	M65X2	85	12	79	7	3	0.203
KM14	M70X2	92	12	85	8	3.5	0.242
KM15	M75X2	98	13	90	8	3.5	0.287
KM16	M80X2	105	15	95	8	3.5	0.397
KM17	M85X2	110	16	102	8	3.5	0.451
KM18	M90X2	120	16	108	10	4	0.556
KM19	M95X2	125	17	113	10	4	0.658
KM20	M100X2	130	18	120	10	4	0.698
KM21	M105X2	140	18	126	12	5	0.846
KM22	M100X2	145	19	133	12	5	0.965
KM24	M120X2	155	20	138	12	5	1.08
KM25	M125X2	160	21	148	12	5	1.19
KM26	M130X2	165	21	149	12	5	1.25
KM27	M135X2	175	22	160	14	6	1.55
KM28	M140X2	180	22	160	14	6	1.56
KM29	M145X2	190	24	171	14	6	1.8
KM30	M150X2	195	24	171	14	6	2.03

## MB Series Tab Washers

Part #	d	D	C	S	E	F	N	Wgt KG
MB00	10	21	13.5	1	3	8.5	3	1.31
MB01	12	25	17	1	3	10.5	3	1.92
MB02	15	28	21	1	4	13.5	4	2.53
MB03	17	32	24	1	4	15.5	4	3.13
MB04	20	36	26	1	4	18.5	4	3.5
MB05	25	42	32	1.25	5	23	5	6.4
MB06	30	49	38	1.25	5	27.5	5	7.8
MB07	35	57	44	1.25	6	32.5	5	10.4
MB08	40	62	50	1.25	6	37.5	6	12.3
MB09	45	69	56	1.25	6	42.5	6	15.2
MB10	50	74	61	1.25	6	47.5	6	16
MB11	55	81	67	1.5	8	52.5	7	19.6
MB12	60	86	73	1.5	8	57.5	7	25.3
MB13	65	92	79	1.5	8	62.5	7	29
MB14	70	98	85	1.5	8	66.5	8	33.4
MB15	75	104	90	1.5	8	71.5	8	35.6
MB16	80	112	95	1.8	10	76.5	8	46.4
MB17	85	119	102	1.8	10	81.5	8	52.5
MB18	90	126	108	1.8	10	86.5	10	62.3
MB19	95	133	113	1.8	10	91.5	10	67
MB20	100	142	120	1.8	12	96.5	10	76.5
MB21	105	145	126	1.8	12	100.5	12	82.6
MB22	110	154	133	1.8	12	105.5	12	94
MB24	120	164	138	2	14	115	12	105
MB25	125	170	148	2	14	120	12	118
MB26	130	175	149	2	14	125	12	113
MB27	135	185	160	2	14	130	14	144
MB28	140	192	160	2	16	135	14	142
MB29	145	202	171	2	16	140	14	168
MB30	150	205	171	2	16	145	14	155

