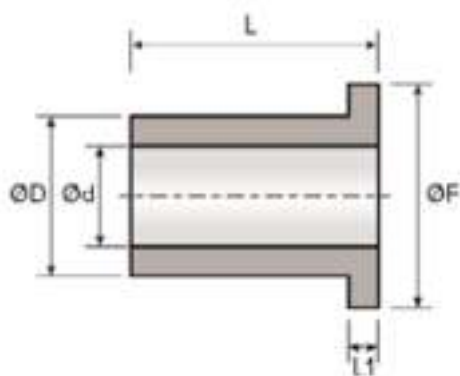
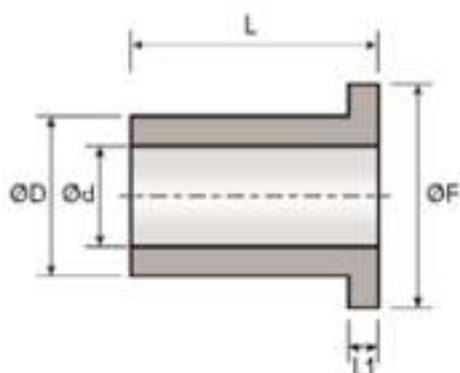


# Metric Flanged Glacier Bushes



Part Number	Nominal Diameter					ID After Fitted	Sharft Dia f7	Housing Bore
	D	d	L	Flange Thickness	Flange Diameter	Max	Max	Max
						Min	Min	Min
MB0604DUF12	6	8	4	1	12	6.055	5.990	8.015
						5.990	5.978	8.000
MB0608DUF12	6	8	8	1	12	6.055	5.990	8.015
						5.990	5.978	8.000
MB0807.5DUF15	8	10	7.5	1	15	8.055	7.987	10.015
						7.990	7.972	10.000
MB0809.5DUF15	8	10	9.5	1	15	8.055	7.987	10.015
						7.990	7.972	10.000
MB1007DUF18	10	12	7	1	18	10.058	9.987	12.018
						9.990	9.972	12.000
MB1009DUF18	10	12	9	1	18	10.058	9.987	12.018
						9.990	9.972	12.000
MB1012DUF18	10	12	12	1	18	10.058	9.987	12.018
						9.990	9.972	12.000
MB1017DUF18	10	12	17	1	18	10.058	9.987	12.018
						9.990	9.972	12.000
MB1207DUF20	12	14	7	1	20	12.058	11.984	14.018
						11.990	11.966	14.000
MB1209DUF20	12	14	9	1	20	12.058	11.984	14.018
						11.990	11.966	14.000
MB1212DUF20	12	14	12	1	20	12.058	11.984	14.018
						11.990	11.966	14.000
MB1509DUF23	15	17	9	1	23	15.058	14.984	17.018
						14.990	14.966	17.000
MB1512DUF23	15	17	12	1	23	15.058	14.984	17.018
						14.990	14.966	17.000
MB1517DUF23	15	17	17	1	23	15.058	14.984	17.018
						14.990	14.966	17.000
MB1612DUF24	16	18	12	1	24	16.058	15.984	18.018
						15.990	15.966	18.000
MB1617DUF24	16	18	17	1	24	16.058	15.984	18.018
						15.990	15.966	18.000
MB1812DUF26	18	20	12	1	26	18.061	17.984	20.021
						17.990	17.966	20.000
MB1817DUF26	18	20	17	1	26	18.061	17.984	20.021
						17.990	17.966	20.000
MB1822DUF26	18	20	22	1	26	18.061	17.984	20.021
						17.990	17.966	20.000

# Metric Flanged Glacier Bushes



Part Number	Nominal Diameter					ID After Fitted	Shaft Dia f7	Housing Bore
	D	d	L	Flange Thickness	Flange Diameter	Max	Max	Max
						Min	Min	Min
MB2011.5DUF30	20	23	11.5	1.5	30	20.071	19.980	23.021
						19.990	19.959	23.000
MB2016.5DUF30	20	23	16.5	1.5	30	20.071	19.980	23.021
						19.990	19.959	23.000
MB2021.5DUF30	20	23	21.5	1.5	30	20.071	19.980	23.021
						19.990	19.959	23.000
MB2511.5DUF35	25	28	11.5	1.5	35	25.071	24.980	28.021
						24.990	24.959	28.000
MB2516.5DUF35	25	28	16.5	1.5	35	25.071	24.980	28.021
						24.990	24.959	28.000
MB2521.5DUF35	25	28	21.5	1.5	35	25.071	24.980	28.021
						24.990	24.959	28.000
MB3016DUF42	30	34	16	2	42	30.085	29.980	34.025
						29.990	29.959	34.000
MB3026DUF42	30	34	26	2	42	30.085	29.980	34.025
						29.990	29.959	34.000
MB3516DUF47	35	39	16	2	47	35.085	34.975	39.025
						34.990	34.950	39.000
MB3526DUF47	35	39	26	2	47	35.085	34.975	39.025
						34.990	34.950	39.000
MB4016DUF53	40	44	16	2	53	40.085	39.975	44.025
						39.990	39.950	44.000
MB4026DUF53	40	44	26	2	53	40.085	39.975	44.025
						39.990	39.950	44.000