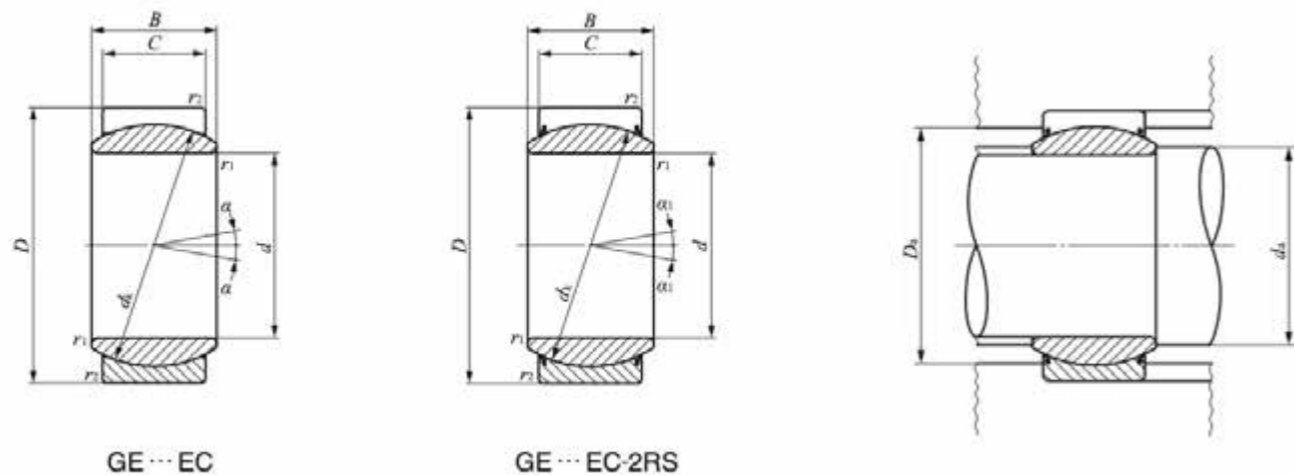


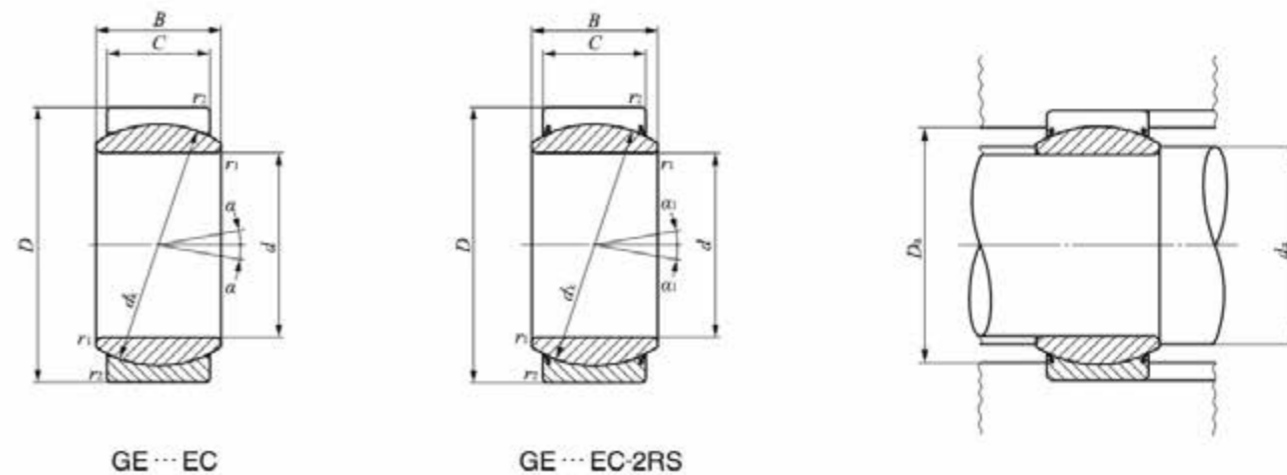
GE-EC & GE-EC-2RS Series (PTFE Lined)

Maintenance Free.



GE-EC & GE-EC-2RS Series (PTFE Lined)

Maintenance Free.



Shaft dia. mm	Identification Number		Mass (Ref.) kg	Dimensions (mm)							Permissible tilting angle degree		Mounting Dimensions (mm)				Dynamic load capacity	Static load capacity
	Without seals	With Seals		d	D	B	C	dk	(1)	(1)	a	a1	da		Da		Cd N	Cs N
									r1s min	r2s min			Min.	Max (2)	Max	Min.		
15	GE 15EC	-	0.032	15	26	12	9	22	0.3	0.3	8	-	17.5	18	23.5	21.5	19 400	48 500
17	GE 17EC	-	0.049	17	30	14	10	25	0.3	0.3	10	-	19.5	20.5	27.5	24.5	24 500	61 300
20	GE 20EC	-	0.065	20	35	16	12	29	0.3	0.3	9	-	22.5	24	32.5	28	34 100	85 300
25	GE 25 EC	-	0.115	25	42	20	16	35.5	0.6	0.6	7	-	29	29	37.5	34	55 700	139 000
30	GE 30EC	GE 30EC-2RS	0.160	30	47	22	18	40.7	0.6	0.6	6	4	34	34	42.5	41.5	71 800	180 000
35	-	GE 35EC-2RS	0.258	35	55	25	20	47	0.6	1	-	4	39.5	39.5	49.5	48	92 200	230 000
40	-	GE 40EC-2RS	0.315	40	62	28	22	53	0.6	1	-	4	44.5	45	56.5	54.5	114 000	286 000
45	-	GE 45EC-2RS	0.413	45	68	32	25	60	0.6	1	-	4	49.5	50.5	62.5	60	147 000	368 000
50	-	GE 50EC-2RS	0.560	50	75	35	28	66	0.6	1	-	4	54.5	56	69.5	66	181 000	453 000
60	-	GE 60EC-2RS	1.10	60	90	44	36	80	1	1	-	3	65.5	66.5	84.5	79	282 000	706 000
70	-	GE 70EC-2RS	1.54	70	105	49	40	92	1	1	-	4	75.5	77.5	99.5	91	361 000	902 000