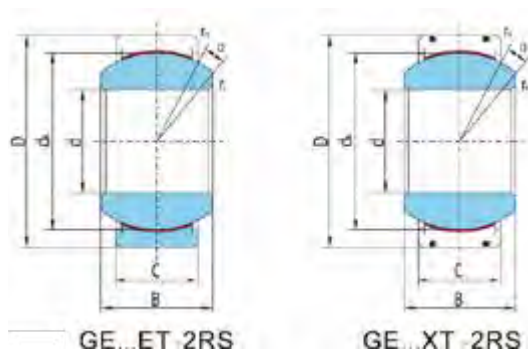


SDTZ Spherical Plain Bearings are manufactured with a single split in the outer ring in the axial direction. Both the inner and outer are phosphate treated. Sliding surfaces are steel and teflon lined.

The ES type contains lubrication grooves and holes in the outer and inner rings.

The 2RS type is fitted with seal rings on each side.

ET designates the teflon lining.



GE ET Series (PTFE Lined)

Bearing Number	Dimensions (mm)						Load ratings (KN)		Weight (kg)
	d	D	B	C	dk	a° ≈	Dynamic	Static	
GE20ET-2RS	20	35	16	12	29	9	30	146	0.066
GE25ET-2RS	25	42	20	16	35.5	7	48	240	0.119
GE30ET-2RS	30	47	22	18	40.7	6	62	310	0.153
GE35ET-2RS	35	55	25	20	47	6	79	399	0.233
GE40ET-2RS	40	62	28	22	53	7	99	495	0.306
GE45ET-2RS	45	68	32	25	60	7	127	637	0.427
GE50ET-2RS	50	75	35	28	66	6	156	780	0.546
GE60ET-2RS	60	90	44	36	80	6	245	1220	1.04
GE70ET-2RS	70	105	49	40	92	6	313	1560	1.55
GE80ET-2RS	80	120	55	45	105	6	400	2000	2.31
GE90ET-2RS	90	130	60	50	115	5	488	2440	2.75
GE100ET-2RS	100	150	70	55	130	7	1070	2570	4.45
GE110ET-2RS	110	160	70	55	140	6	1150	2770	4.82
GE120ET-2RS	120	180	85	70	160	6	1680	4030	8.05