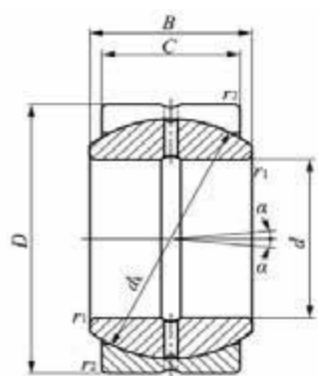
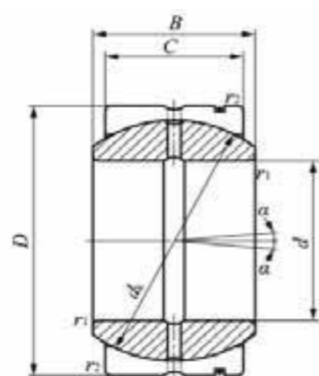


SB-A Metric Series

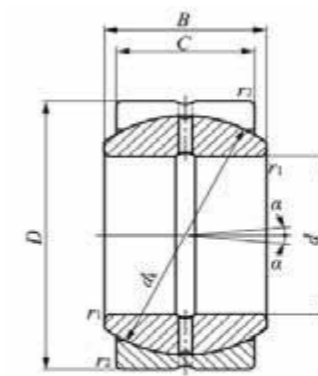
SB-A Metric Series



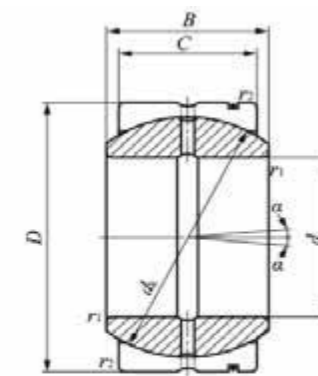
SB...A



SB



SB...A



SB

Shaft dia. mm	Identification number		Mass (Ref.) kg	Boundary dimensions mm						Permissible tilting angle degree	Mounting dimensions mm				Dynamic load capacity Cd N	Static load capacity Cs N
				d	D	B	C	dk	rs min		da		Da			
											Min.	Max	Max.	Min.		
12	SB 12A	SB 122211	0.019	12	22	11	9	18	0.3	7	14	14	19.5	17	15 900	95 300
15	SB 15A	SB 152613	0.028	15	26	13	11	22	0.3	6	17.5	17.5	23.5	21	23 700	142 000
20	SB 20A	SB 203216	0.053	20	32	16	14	28	0.3	4	22.5	23	29.5	26	38 400	231 000
25	SB 25A	SB 254221	0.116	25	42	21	18	36	0.3	5	27.5	29	39.5	34	63 500	381 000
30	SB 30A	SB 305027	0.225	30	50	27	23	45	0.6	6	34.5	36	45.5	42	101 000	609 000
35	SB 35A	SB 355530	0.3	35	55	30	26	50	0.6	5	39.5	40	50.5	46.5	127 000	765 000
40	SB 40A	SB 406233	0.375	40	62	33	28	55	0.6	6	44	44	57.5	51.5	151 000	906 000
45	SB 45A	SB 457236	0.6	45	72	36	31	62	0.6	5	49.5	50.5	67.5	58	188 000	1 130 000
50	SB 50A	SB 508042	0.87	50	80	42	36	72	0.6	5	54.5	58.5	75.5	67	254 000	1 530 000
55	SB 55A	SB 559047	1.26	55	90	47	40	80	0.6	5	59.5	64.5	85.5	74.5	314 000	1 880 000