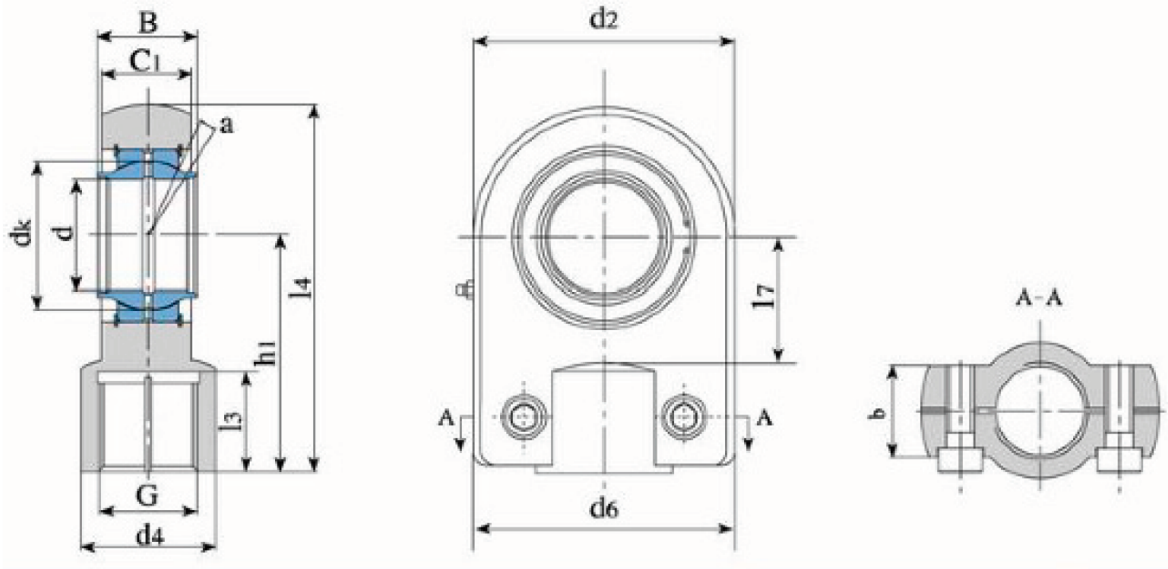


Hydraulic Rod Ends with Locking Slot and Female Thread

SDTZ "SIGEW" series Rod Ends are manufactured with a stretching rod, lubrication hole and grease nipple and fitted with GE-ES Spherical Plain Bearings. Sliding surfaces are steel and steel.



SIGEW Series (Lubricated Steel/Steel)

Bearing Number	Dimensions (mm)													Load Ratings (KN)		Weight (kg)	
	d	B	dk	C1 Max	d2	G	h1	l3 Min	l4	l7	d4	d6	b	a	Dynamic		Static
SIGEW12ES	12	12	18	11	32	M12*1.25	38	17	54	14	16.5	32	11	4	10	24.5	0.11
SIGEW16ES	16	16	23	14	40	M14*1.5	44	19	64	18	21	40	14	4	17	36.5	0.2
SIGEW20ES	20	20	29	17	47	M16*1.5	52	23	77	22	25	47	17	4	30	48	0.4
SIGEW25ES	25	25	35.5	22	58	M20*1.5	65	29	96	27	30	54	19	4	48	78	0.66
SIGEW32ES	32	32	43	28	71	M27*2	80	42	118.5	32	38	66	22	4	64	114	1.2
SIGEW40ES	40	40	53	33	90	M33*2	97	52.5	146	41	47	80	26	4	99	204	2.1
SIGEW50ES	50	50	66	41	109	M42*2	120	63.5	179.5	50	58	96	32	4	156	310	4.4
SIGEW63ES	63	63	83	53	136	M48*2	140	72	211	62	70	114	38	4	253	430	7.6
SIGEW70ES	70	70	92	57	155	M56*2	160	84	245	70	80	135	42	4	313	540	11.1
SIGEW80ES	80	80	105	66	168	M64*3	180	92.5	270	78	90	148	48	4	400	695	15