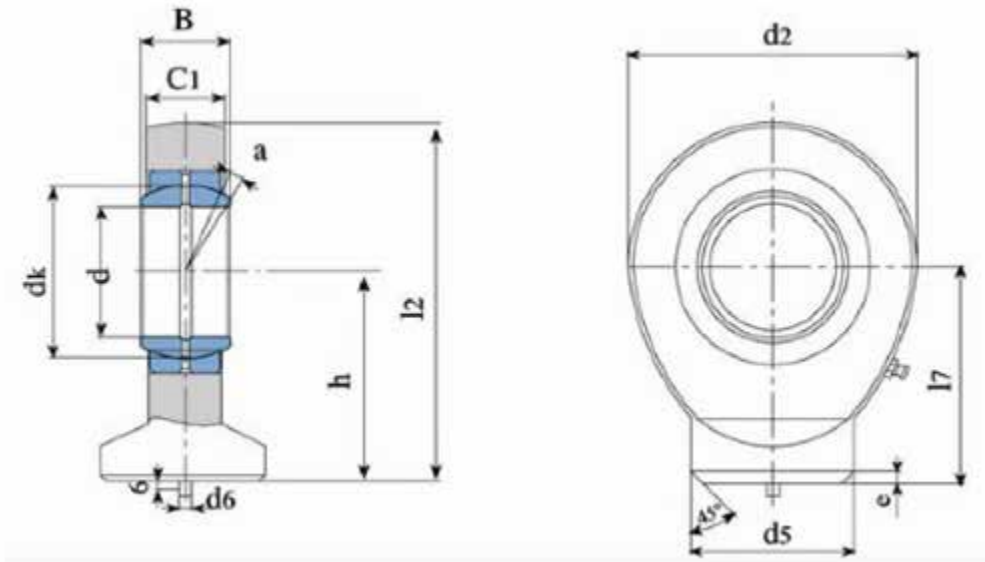


SDTZ "SK" series Rod Ends are manufactured with a weldable steel stretching rod with a welding slope and dowel pin, fitted with GE-ES Spherical Plain Bearings.

Sliding surfaces are steel and steel.



SK Series (Weld-on with Dowel Pin)

Bearing Number	Dimensions (mm)											Load ratings (kN)		Weight (kg)
	d	B	C1 Max	d2	h	l2	l7	d5	d6	e	a° ≈	Dynamic	Static	
SK15ES	15	12	10	40	31	51	20	21	4	2.5	8	16	24	0.12
SK17ES	17	14	11	46	35	58	23	24	4	2.5	10	21	31	0.19
SK20ES	20	16	13	53	38	64.5	27.5	27.5	4	2.5	9	30	42	0.23
SK25ES	25	20	17	64	45	77	33	33.5	4	3	7	48	66	0.43
SK30ES	30	22	19	73	51	87.5	37.5	40	4	3	6	62	87	0.64
SK35ES	35	25	21	82	61	102	43	47	4	3	6	79	99	0.96
SK40ES	40	28	23	92	69	115	48	52	4	4	7	99	122	1.3
SK45ES	45	32	27	102	77	128	52	58	6	5	7	127	160	1.8
SK50ES	50	35	30	112	88	144	59	62	6	5	6	156	193	2.5
SK60ES	60	44	38	135	100	167.5	72.5	70	6	5	6	245	294	3.9
SK70ES	70	49	42	160	115	195	86	80	6	6	6	313	406	6.6
SK80ES	80	55	47	180	141	231	98	95	6	6	6	400	494	8.7

No relubrication facility.

Can only be relubricated through the rod end housing.