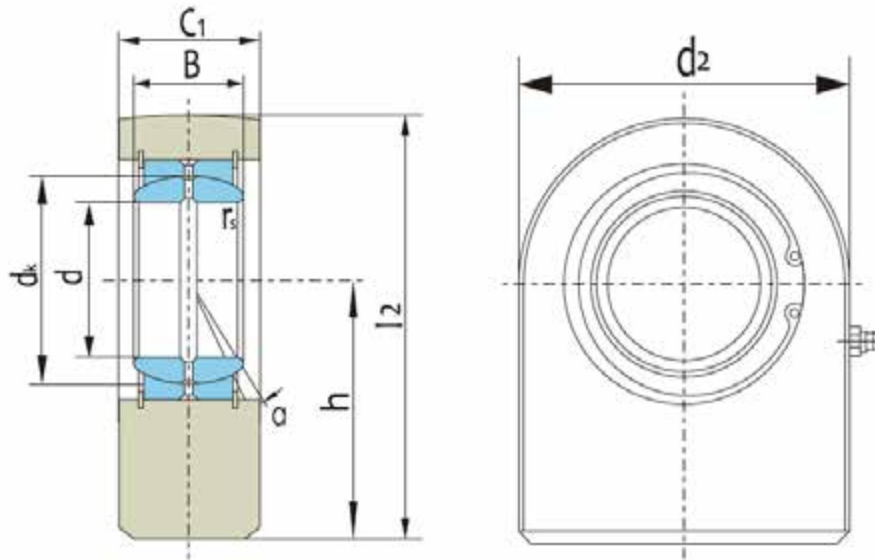


SDTZ "SF" series Rod Ends are manufactured from weldable steel with a rectangular welding face, fitted with GE-ES Spherical Plain Bearings. Sliding surfaces are steel and steel.



## SF Series (Weld-on)

Bearing Number	Dimensions (mm)								Load ratings (kN)		Weight (kg)
	d	B	dk	C1 Max	d2	h	l2	$\alpha^\circ \approx$	Dynamic	Static	
SF20ES	20	16	29	19	50	38	63	9	30	67	0.35
SF25ES	25	20	35.5	23	55	45	72.5	7	48	70	0.53
SF30ES	30	22	40.7	28	65	51	83.5	6	62	118	0.85
SF35ES	35	25	47	30	83	61	102.5	6	80	196	1.5
SF40ES	40	28	53	35	100	69	119	7	100	300	2.4
SF45ES	45	32	60	40	110	77	132	7	128	380	3.4
SF50ES	50	35	66	40	123	88	149.5	6	156	440	4.3
SF60ES	60	44	80	50	140	100	170	6	245	570	7.1
SF70ES	70	49	92	55	164	115	197	6	315	710	10.6
SF80ES	80	55	105	60	180	141	231	6	400	800	15
SF90ES	90	60	115	65	226	150	263	5	490	1340	23.5