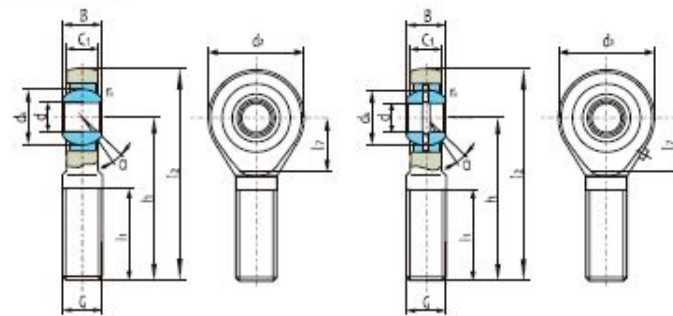


POSB

POSB Series (Imperial Male)

Bearing Number	Dimensions (mm/inch)										Load ratings (KN)		Weight (kg)
	d	B	dk	C1	d2	G	h	L1	L2	a° ≈	Dynamic	Static	
POSB-3	4.826	7.93	11.10	6.35	15.88	3/16-32	26.97	19.05	39.70	10	3.4	4.6	0.015
POSB-4	6.350	9.53	12.70	7.14	19.05	1/4-28	33.32	25.40	49.20	13	4.5	7.7	0.025
POSB-5	7.938	11.10	15.88	8.74	22.23	5/16-24	34.93	31.75	58.72	10	6.9	8.4	0.036
POSB-6	9.525	12.70	18.26	10.31	25.40	3/8-24	41.28	31.75	61.93	9	9.4	10	0.061
POSB-7	11.113	14.28	20.62	11.10	28.58	7/16-20	46.02	34.93	68.28	11	11	13	0.081
POSB-8	12.700	15.88	23.81	12.70	33.32	1/2-20	53.98	38.10	78.59	9	15	19	0.133
POSB-10	15.875	19.05	28.58	14.27	38.10	5/8-18	63.50	41.28	85.73	11	20	21	0.190
POSB-12	19.050	22.23	33.32	17.45	44.45	3/4-16	73.03	44.45	95.25	10	29	55	0.285
POSB-16	25.400	34.93	47.63	25.40	69.85	1 1/4-12	104.78	53.98	139.70	14	60	101	1.000



SA...E

SA...ES, SAS...ES

SA and SAL Series (Metric Male Narrow)

Bearing Number		Dimensions (mm/inch)											Load ratings (KN)		Weight (kg)	
		d	B	dk	C1	d2	G	h	L1	L2	L7	rs min	a° ≈	Dynamic		Static
SA10E	SAL10E	10	9	16	7.5	29	M10	48	26	62.5	15.5	0.3	12	8.1	16	0.050
SA12E	SAL12E	12	10	18	8.5	34	M12	54	28	71	18	0.3	10	10	23	0.068
SA15ES	SAL15ES	15	12	22	10.5	40	M14	63	34	83	21	0.3	8	16	32	0.120
SA17ES	SAL17ES	17	14	25	11.5	46	M16	69	36	92	24	0.3	10	21	44	0.190
SA20ES	SAL20ES	20	16	29	13.5	53	M20X1.5	78	43	104.5	25.5	0.3	9	30	60	0.300
SA25ES-2RS	SAL25ES-2RS	25	20	35.5	18	64	M24X2	94	53	126	31	0.6	7	48	83	0.555
SA30ES-2RS	SAL30ES-2RS	30	22	40.7	20	73	M30X2	110	65	146.5	35.5	0.6	6	62	110	0.875
SA35ES-2RS	SAL35ES-2RS	35	25	47	22	82	M36X3	140	82	181	41	0.6	6	79	146	1.42
SA40ES-2RS	SAL40ES-2RS	40	28	53	24	92	M39X3	150	86	196	47	0.6	7	99	180	1.85
SA45ES-2RS	SAL45ES-2RS	45	32	60	28	102	M42X3	163	92	214	52	0.6	7	127	240	2.49
SA50ES-2RS	SAL50ES-2RS	50	35	66	31	112	M45X3	185	104	241	60	0.6	6	156	290	3.58
SA60ES-2RS	SAL60ES-2RS	60	44	80	39	135	M52X3	210	115	277.5	75.5	1	6	245	450	5.89
SA70ES-2RS	SAL70ES-2RS	70	49	92	43	160	M56X4	235	125	315	95	1	6	313	610	8.51
SA80ES-2RS	SAL80ES-2RS	80	55	105	48	180	M64X4	270	140	360	105.1	1	6	400	750	12.3