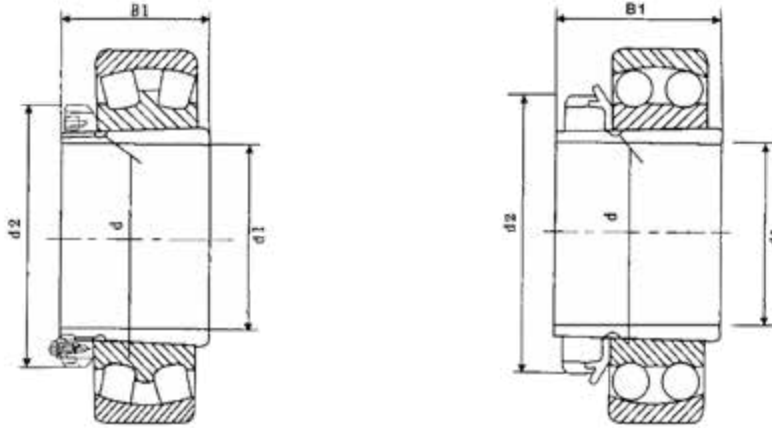


H2300 Series



Part No.	d	d1	B1	d2	Matched Locking nut	Matched Locking washer	N.W. (kg)
H2305	25	20	35	38	KM05	MB05	0.09
H2306	30	25	38	45	KM06	MB06	0.13
H2307	35	30	43	52	KM07	MB07	0.17
H2308	40	35	46	58	KM08	MB08	0.22
H2309	45	40	50	65	KM09	MB09	1.28
H2310	50	45	55	70	KM10	MB10	0.36
H2311	55	50	59	75	KM11	MB11	0.42
H2312	60	55	62	80	KM12	MB12	0.48
H2313	65	60	65	85	KM13	MB13	0.56
H2314	70	60	68	92	KM14	MB14	0.9
H2315	75	65	73	98	KM15	MB15	1.05
H2316	80	70	78	105	KM16	MB16	1.28
H2317	85	75	82	110	KM17	MB17	1.45
H2318	90	80	86	120	KM18	MB18	1.69
H2319	95	85	90	125	KM19	MB19	1.92
H2320	100	90	97	130	KM20	MB20	2.16
H2322	110	100	105	145	KM22	MB22	2.74
H2324	120	110	112	155	KM24	MB24	3.19
H2326	130	115	121	165	KM26	MB26	4.6
H2328	140	125	131	180	KM28	MB28	5.55
H2330	150	135	139	195	KM30	MB30	6.63
H2332	160	140	147	210	KM32	MB32	9.14
H2334	170	150	154	220	KM34	MB34	10.2