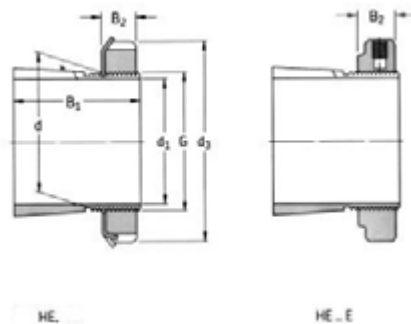


HE200 Series



Part No.	d1	d	d3	B1	N.W.(kg)	B2	Matched Locking nut	Matched Locking washer	Matched Ball Bearing
HE206	1	30	45	27	0.08	8	KM06	MB06	1206K
HE207	1 1/8	35	52	29	0.14	9	KM07	MB07	1207K
HE208	1 1/4	40	58	31	0.19	10	KM08	MB08	1208K
HE209	1 1/2	45	65	33	0.2	11	KM09	MB09	1209K
HE210	1 3/4	50	70	35	0.26	12	KM10	MB10	1210K
HE211	2	55	75	37	0.26	12.5	KM11	MB11	1211K
HE212	2 1/8	60	80	38	0.35	13	KM12	MB12	1212K
HE213	2 1/4	65	85	40	0.44	14	KM13	MB13	1213K
HE215	2 1/2	75	98	43	0.7	15	KM15	MB15	1215K
HE216	2 3/4	80	105	46	0.81	17	KM16	MB16	1216K
HE217	3	85	110	50	0.87	18	KM17	MB17	1217K
HE218	3 1/4	90	120	52	0.97	18	KM18	MB18	1218K
HE219	3 1/4	95	125	55	1.35	19	KM19	MB19	1219K
HE220	3 1/2	100	130	58	1.45	20	KM20	MB20	1220K

HE300 Series

Part No.	d1	d	d3	B1	N.W.(kg)	B2	Matched Locking nut	Matched Locking washer	Matched Ball Bearing	Matched Roller Bearing		
HE306	1	30	45	31	0.1	8	KM06	MB06	1306K	2206K	21306K	-
HE307	1 1/8	35	52	35	0.16	9	KM07	MB07	1307K	2207K	21307K	-
HE308	1 1/4	40	58	36	0.22	10	KM08	MB08	1308K	2208K	21308K	22208K
HE309	1 1/2	45	65	39	0.24	11	KM09	MB09	1309K	2209K	21309K	22209K
HE310	1 3/4	50	70	42	0.29	12	KM10	MB10	1310K	2210K	21310K	22210K
HE311	2	55	75	45	0.29	12.5	KM11	MB11	1311K	2211K	21311K	22211K
HE312	2 1/4	60	80	47	0.4	13	KM12	MB12	1312K	2212K	21312K	22212K
HE313	2 1/4	65	85	50	0.52	14	KM13	MB13	1313K	2213K	21313K	22213K
HE315	2 1/2	75	98	55	0.85	15	KM15	MB15	1315K	2215K	21315K	22215K
HE316	2 3/4	80	105	59	0.97	17	KM16	MB16	1316K	2216K	21316K	22216K
HE317	76.2	85	110	63	1	18	KM17	MB17	1317K	2217K	21317K	22217K
HE318	3	90	120	65	1.1	18	KM18	MB18	1318K	2218K	21318K	22218K
HE319	3	95	125	68	1.6	19	KM19	MB19	1319K	2219K	21319K	22219K
HE320	3 1/2	100	130	71	1.75	20	KM20	MB20	1320K	2220K	21320K	22220K
HE322	4	110	145	77	1.9	21	KM22	MB22	1322K	2222K	21322K	22222K