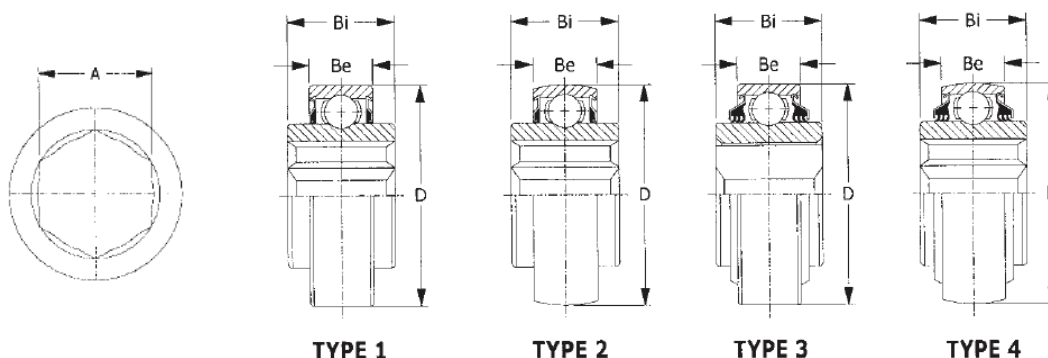


Deep Groove Hex Bore Ball Bearings



Part No.	Type	Hex Shaft Size	Unit of Measure	A	D	Be	Bi	Load Ratings		Wt. Lbs.
								Dynamic	Static	
202KRR3	1	9/16"	Inch	0.563	1.378	0.433	0.512	2.16	1	0.12
			mm	14.3	35	11	13			
204KRR2	1	1 1/16"	Inch	0.695	1.8504	0.551	0.825	2.9	1.41	0.32
			mm	17.653	47	14	20.955			
205KRR2	1	7/8"	Inch	0.876	2.0472	0.591	1	3.15	1.61	0.44
			mm	22.25	52	15	25.4			
205KRRB2	2	7/8"	Inch	0.876	2.0472	0.591	1	3.15	1.61	0.44
			mm	22.25	52	15	25.4			
206KRRB3	2	1 1/8"	Inch	1.126	2.4409	0.63	0.945	4.37	2.32	0.75
			mm	28.6	62	16	24			
206KRR6	1	1"	Inch	1	2.4409	0.63	0.945	4.37	2.32	-
			mm	25.43	62	16	24			
206KRRB6	2	1"	Inch	1.001	2.4409	0.63	0.945	4.37	2.32	0.75
			mm	25.425	62	16	24			
206KRRB9	2	1"	Inch	1.001	2.4409	0.63	0.945	4.37	2.32	0.75
			mm	25.425	62	16	24			
207KRRB9	2	1 1/8"	Inch	1.126	2.8346	0.669	1.484	5.77	3.15	1
			mm	28.6	72	17	37.694			
207KRRB12	2	1 1/8"	Inch	1.126	2.8346	0.669	0.984	5.77	3.15	0.87
			mm	28.6	72	17	25			
209KRRB2	2	1 1/2"	Inch	1.501	3.3465	0.748	1.181	7.35	4.15	1.27
			mm	38.125	85	19	30			