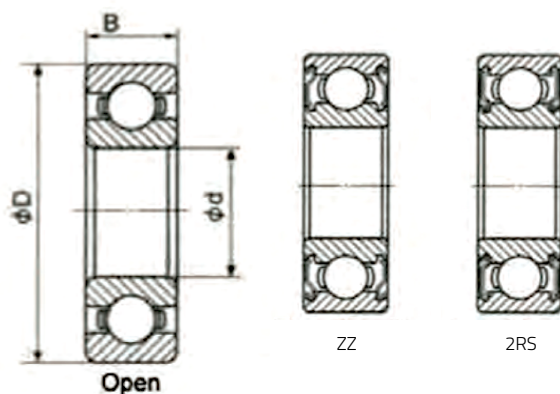


6700 Series



Part No.		d (mm)	D (mm)	B (mm)	Dynamic load (kN)	Static load (kN)	N.W. (kg)
6700-2RS	6700-ZZ	10	15	3	0.857	0.435	0.0013
6701-2RS	6701-ZZ	12	18	4	0.928	0.532	0.0028
6702-2RS	6702-ZZ	15	21	4	0.937	0.581	0.0034
6703-2RS	6703-ZZ	17	23	4	0.999	0.657	0.0038
6704-2RS	6704-ZZ	20	27	4	1.010	0.722	0.0056
6705-2RS	6705-ZZ	25	32	4	1.100	0.838	0.0064
6706-2RS	6706-ZZ	30	37	4	1.140	0.947	0.0073