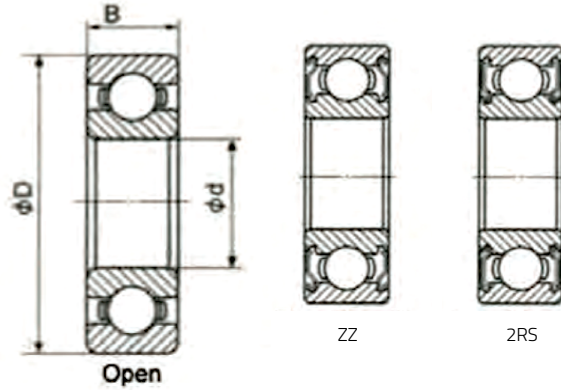


Deep Groove Ball Bearings - Thin Series

6700 Series



Part No.	d (mm)	D (mm)	B (mm)	Dynamic load (kN)	Static load (kN)	N.W. (kg)	
6700-2RS	6700-ZZ	10	15	3	1.01	0.56	0.0013
6701-2RS	6701-ZZ	12	18	4	-	-	0.0028
6702-2RS	6702-ZZ	15	21	4	-	-	0.0034
6703-2RS	6703-ZZ	17	23	4	-	-	0.0038
6704-2RS	6704-ZZ	20	27	4	-	-	0.0056
6705-2RS	6705-ZZ	25	32	4	-	-	0.0064
6706-2RS	6706-ZZ	30	37	4	-	-	0.0073
6707-2RS	6707-ZZ	35	44	5	-	-	-
6708-2RS	6708-ZZ	40	50	6	-	-	-
6709-2RS	6709-ZZ	45	55	6	-	-	-
6710-2RS	6710-ZZ	50	62	6	-	-	-

6800 Series

Part No.	d (mm)	D (mm)	B (mm)	Dynamic load (kN)	Static load (kN)	N.W. (kg)
6800-2RS	10	19	5	2.12	0.99	0.005
6801-2RS	12	21	5	1.92	1.04	0.006
6802-2RS	15	24	5	2.08	1.26	0.007
6803-2RS	17	26	5	2.63	1.57	0.008
6804-2RS	20	32	7	4	2.64	0.019
6805-2RS	25	37	7	4.3	2.94	0.022
6806-2RS	30	42	7	5.35	3.8	0.026
6807-2RS	35	47	7	4.75	3.8	0.029
6808-2RS	40	52	7	5.95	4.9	0.033
6809-2RS	45	58	7	5.35	4.9	0.04
6810-2RS	50	65	7	6.4	5.8	0.052
6811-2RS	55	72	9	8.8	8.1	0.083
6812-2RS	60	78	10	10.35	10.18	0.103
6813-2RS	65	85	10	11.9	11.5	0.125
6814-2RS	70	90	10	12.1	11.9	0.135
6815-2RS	75	95	10	1.25	1.28	0.145