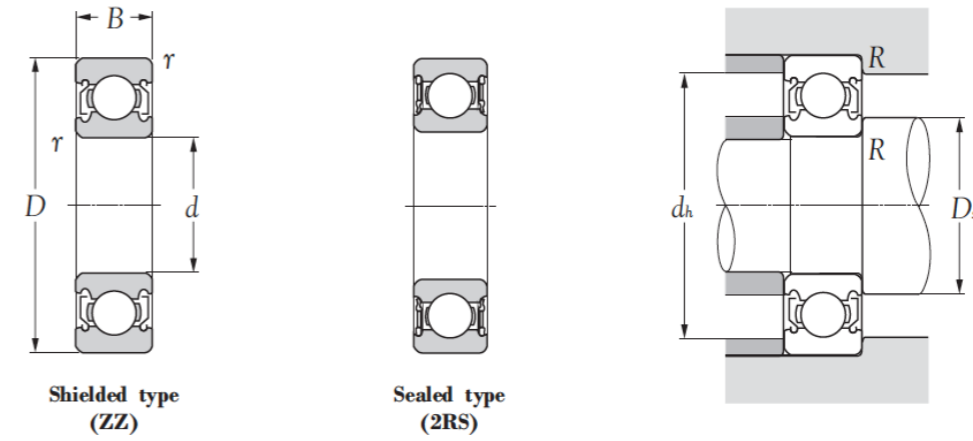
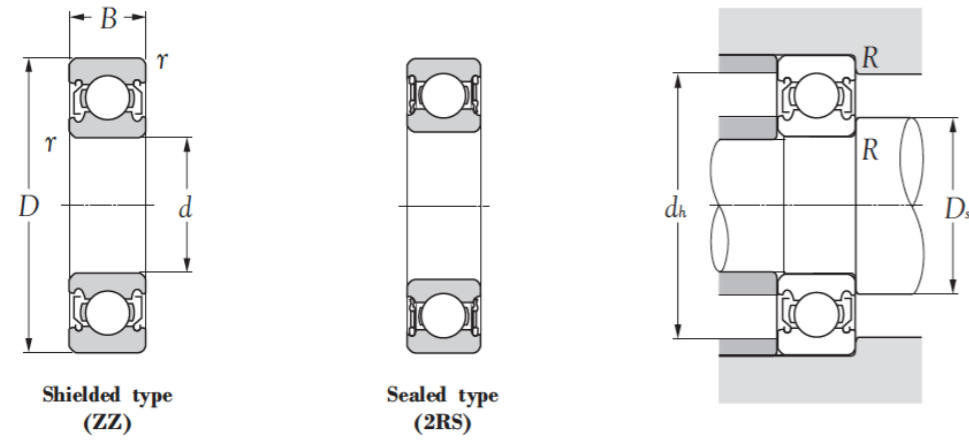


## 6200 Series

## 6200 Series



Boundary dimension (mm)				Basic load ratings (N)		Limiting speeds		Bearing numbers	Abutment and fillet dimensions(mm)				Mass (kg)		
d	D	B	r	dynamic	static	grease	oil		ZZ*	2RS	Ds	Ds		dh	R
				Cr	Cor	rpm					min	max		max	max
1/2	32	10	0.6	6100	2750	22000	26000	6201-1/2" ZZ	6202-1/2" 2RS	17	17.5	27.000	0.6	0.037	
5/8	35	11	0.6	7750	3600	19000	23000	6202-5/8" ZZ	6202-5/8" 2RS	20	20.5	30	0.6	0.045	
1/2	35	11	0.6	7750	3600	19000	23000	6202-1/2" ZZ	6202-1/2" 2RS	20	20.5	30	0.6	0.045	
16	35	11	0.6	7750	3600	19000	23000	6202-16mm ZZ	6202-16m 2RS	20	20.5	30	0.6	0.045	
16	40	12	0.6	9600	4600	18000	21000	6203-16mm ZZ	6203-16mm 2RS	22	23	35	0.6	0.066	
1/2	40	12	0.6	9600	4600	18000	21000	6203-1/2" ZZ	6203-1/2" 2RS	22	23	35	0.6	0.066	
5/8	40	12	0.6	9600	4600	18000	21000	6203-5/8" ZZ	6203-5/8" 2RS	22	23	35	0.6	0.066	
3/4	40	12	0.6	9600	4600	18000	21000	6203-3/4" ZZ	6203-3/4" 2RS	22	23	35	0.6	0.066	
3/4	47	14	1	12800	6650	16000	18000	6204-3/4" ZZ	6204-3/4" 2RS	26	28	41	1	0.106	
1	47	12	-	-	-	-	-	-	6005-1 2RS	-	-	-	-	-	
1	52	15	1	14000	7850	13000	15000	6205-1" ZZ	6205-1" 2RS	31	32	46	1	0.128	
3/4	52	15	-	-	-	-	-	-	6205-3/4 2RS	31	32	46	1	0.152	

\* Not a stocked range although available on request.