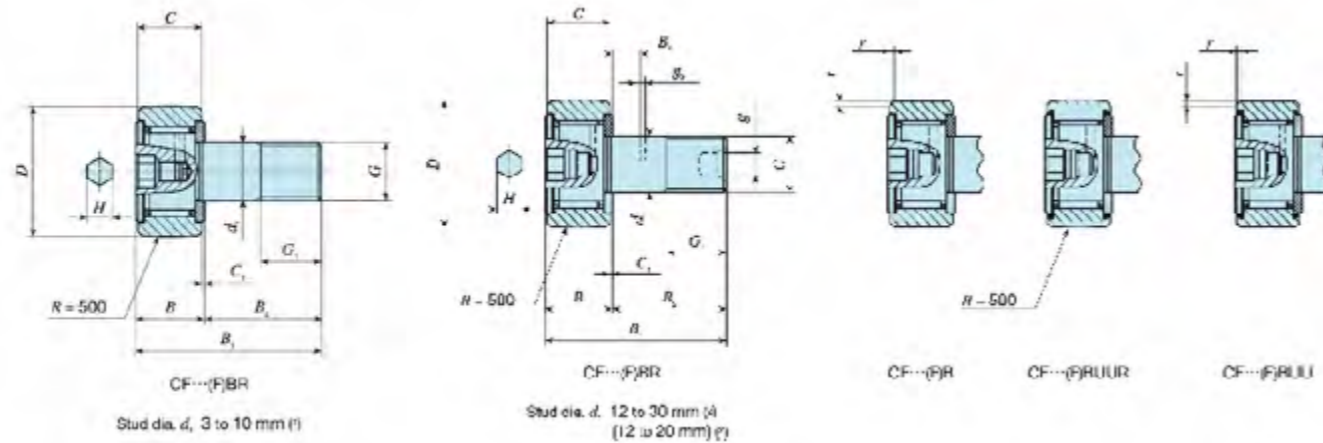


CF Series - Cage Type

CF Series - Cage Type



Stud dia. mm	Identification number				Mass (Ref.) g	D	C	d1	G	G1	B	B1	B2	B3	C1	g1	g2	H	rs min	Mounting dimension f Min. mm	Maximum tightening torque N-m	Basic dynamic load rating C N	Basic static load rating CO N	Maximum allowable static load N
	Shield type		Sealed type																					
	With crowned outer ring*	With cylindrical outer ring*	With crowned outer ring	With cylindrical outer ring																				
3	CF 3 BR	CF 3 B	CF 3 BUUR	CF 3 BUU	4.3	10	7	3	M 3x0.5	5	8	17	9	-	0.5	-	-	2	0.2	6.8	0.34	1 500	1 020	384
4	CF 4 BR	CF 4 B	CF 4 BUUR	CF 4 BUU	7.4	12	8	4	M 4x0.7	6	9	20	11	-	0.5	-	-	2.5	0.3	8.3	0.78	2 070	1 590	834
5	CF 5 BR	CF 5 B	CF 5 BUUR	CF 5 BUU	10.3	13	9	5	M 5x0.8	7.5	10	23	13	-	0.5	-	-	3	0.3	9.3	1.6	2 520	2 140	1 260
6	CF 6 BR	CF 6 B	CF 6 BUUR	CF 6 BUU	18.5	16	11	6	M 6x1	8	12.2max	28.2max	16	-	0.6	-	-	3	0.3	11	2.7	3 660	3 650	1 950
8	CF 8 BR	CF 8 B	CF 8 BUUR	CF 8 BUU	28.5	19	11	8	M 8x1.25	10	12.2max	32.2max	20	-	0.6	-	-	4	0.3	13	6.5	4 250	4 740	4 620
10	CF 10-1 BR	CF 10-1 B	CF 10-1 BUUR	CF 10-1 BUU	60	26	12	10	M10x1.25	12	13.2max	36.2max	23	-	0.6	-	-	4	0.3	16	13.8	5 430	6 890	6 890
	CF 10 BR	CF 10 B	CF 10 BUUR	CF 10 BUU	45	22	12	10	M10x1.25	12	13.2max	36.2max	23	-	0.6	-	-	4	0.3	16	13.8	5 430	6 890	6 890
12	CF 12-1 BR	CF 12-1 B	CF 12-1 BUUR	CF 12-1 BUU	105	32	14	12	M12x1.5	13	15.2max	40.2max	25	6	0.6	6	3	6	0.6	21	21.9	7 910	9 790	9 790
	CF 12 BR	CF 12 B	CF 12 BUUR	CF 12 BUU	95	30	14	12	M12x1.5	13	15.2max	40.2max	25	6	0.6	6	3	6	0.6	21	21.9	7 910	9 790	9 790
16	CF 16 BR	CF 16 B	CF 16 BUUR	CF 16 BUU	170	35	18	16	M16x1.5	17	19.6max	52.1max	32.5	8	0.8	6	3	6	0.6	26	58.5	12 000	18 300	18 300
18	CF 18 BR	CF 18 B	CF 18 BUUR	CF 18 BUU	250	40	20	18	M18x1.5	19	21.6max	58.1max	36.5	8	0.8	6	3	8	1	29	86.2	14 800	25 200	25 200
20	CF 20-1 BR	CF 20-1 B	CF 20-1 BUUR	CF 20-1 BUU	385	47	24	20	M20x1.5	21	25.6max	66.1max	40.5	9	0.8	8	4	8	1	34	119	20 700	34 600	34 600
	CF 20 BR	CF 20 B	CF 20 BUUR	CF 20 BUU	460	52	24	20	M20x1.5	21	25.6max	66.1max	40.5	9	0.8	8	4	8	1	34	119	20 700	34 600	34 600
24	CF 24-1 BR	CF 24-1 B	CF 24-1 BUUR	CF 24-1 BUU	1 140	72	29	24	M24x1.5	25	30.6max	80.1max	49.5	11	0.8	8	4	12	1	40	215	30 500	52 600	52 000
	CF 24 BR	CF 24 B	CF 24 BUUR	CF 24 BUU	815	62	29	24	M24x1.5	25	30.6max	80.1max	49.5	11	0.8	8	4	12	1	40	215	30 500	52 600	52 000
30	CF 30-1 BR	CF 30-1 B	CF 30-1 BUUR	CF 30-1 BUU	2 030	85	35	30	M30x1.5	32	37 max	100 max	63	15	1	8	4	17	1	49	438	45 400	85 100	85 100
	CF 30-2 BR	CF 30-2 B	CF 30-2 BUUR	CF 30-2 BUU	2 220	90	35	30	M30x1.5	32	37 max	100 max	63	15	1	8	4	17	1	49	438	45 400	85 100	85 100
	CF 30 BR	CF 30 B	CF 30 BUUR	CF 30 BUU	1 870	80	35	30	M30x1.5	32	37 max	100 max	63	15	1	8	4	17	1	49	438	45 400	85 100	85 100

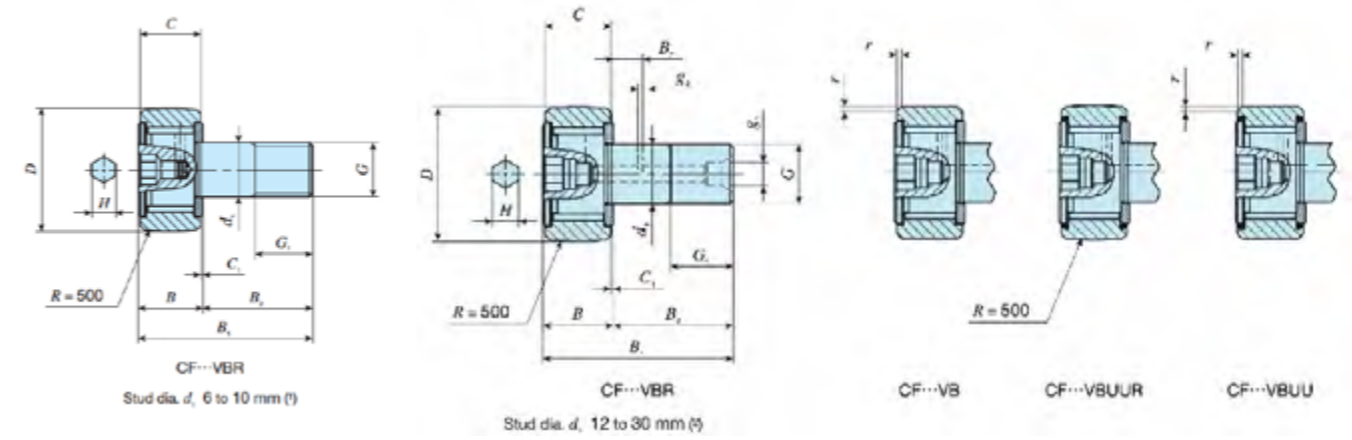
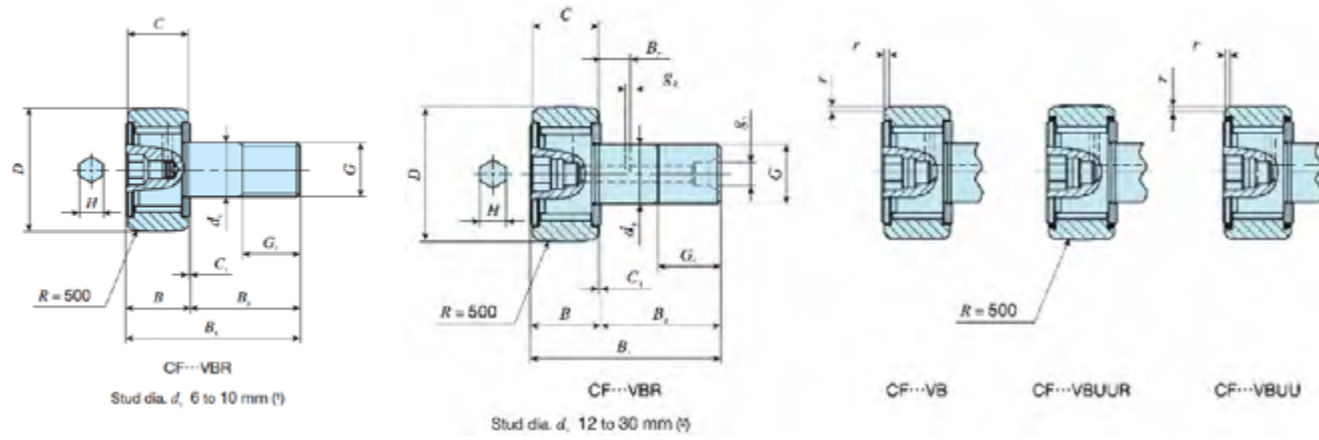
* Not a stocked range although available on request

GUIDE

- B = Hex
- No B = Slotted (Screwdriver)
- UU = 2 Rubber Seals
- R = Crowned / Spherical
- No R = Cylindrical
- V = Full Compliment
- No V = Caged

CF Series - Full Complement

CF Series - Full Complement



Stud dia. mm	Identification number				Mass (Ref.) g	Boundary dimensions mm														Mounting dimension f Min. mm	Maximum tightening torque N-m	Basic dynamic load rating C N	Basic static load rating CO N	Maximum allowable static load N
	Shield type		Sealed type			D	C	d1	G	G1	Bmax	B1 max	B2	B3	C1	g1	g2	H	rs min					
	With crowned outer ring*	With cylindrical outer ring*	With crowned outer ring	With cylindrical outer ring																				
6	CF 6 VBR	CF 6 VB	CF 6 VBUUR	CF 6 VBUU	19	16	11	6	M6x1	8	12.2	28.2	16	-	0.6	-	-	3	0.3	11	2.7	6 980	8 500	1 950
8	CF 8 VBR	CF 8 VB	CF 8 VBUUR	CF 8 VBUU	29	19	11	8	M8x1.25	10	12.2	32.2	20	-	0.6	-	-	4	0.3	13	6.5	8 170	11 200	4 620
10	CF 10-1 VBR	CF 10-1 VB	CF 10-1 VBUUR	CF 10-1 VBUU	61	26	12	10	M10x1.25	12	13.2	36.2	23	-	0.6	-	-	4	0.3	16	13.8	9 570	14 500	8 650
	CF 10 VBR	CF 10 VB	CF 10 VBUUR	CF 10 VBUU	46	22	12	10	M10x1.25	12	13.2	36.2	23	-	0.6	-	-	4	0.3	16	13.8	9 570	14 500	8 650
12	CF 12-1 VBR	CF 12-1 VB	CF 12-1 VBUUR	CF 12-1 VBUU	107	32	14	12	M12x1.5	13	15.2	40.2	25	6	0.6	6	3	6	0.6	21	21.9	13 500	19 700	13 200
	CF 12 VBR	CF 12 VB	CF 12 VBUUR	CF 12 VBUU	97	30	14	12	M12x1.5	13	15.2	40.2	25	6	0.6	6	3	6	0.6	21	21.9	13 500	19 700	13 200
16	CF 16 VBR	CF 16 VB	CF 16 VBUUR	CF 16 VBUU	173	35	18	16	M16x1.5	17	19.6	52.1	32.5	8	0.8	6	3	6	0.6	26	58.5	20 700	37 600	23 200
18	CF 18 VBR	CF 18 VB	CF 18 VBUUR	CF 18 VBUU	255	40	20	18	M18x1.5	19	21.6	58.1	36.5	8	0.8	6	3	8	1	29	86.2	25 300	51 300	31 100
20	CF 20-1 VBR	CF 20-1 VB	CF 20-1 VBUUR	CF 20-1 VBUU	390	47	24	20	M20x1.5	21	25.6	66.1	40.5	9	0.8	8	4	8	1	34	119	33 200	64 500	37 500
	CF 20 VBR	CF 20 VB	CF 20 VBUUR	CF 20 VBUU	465	52	24	20	M20x1.5	21	25.6	66.1	40.5	9	0.8	8	4	8	1	34	119	33 200	64 500	37 500
24	CF 24-1 VBR	CF 24-1 VB	CF 24-1 VBUUR	CF 24-1 VBUU	1 140	72	29	24	M24x1.5	25	30.6	80.1	49.5	11	0.8	8	4	12	1	40	215	46 600	92 000	52 000
	CF 24 VBR	CF 24 VB	CF 24 VBUUR	CF 24 VBUU	820	62	29	24	M24x1.5	25	30.6	80.1	49.5	11	0.8	8	4	12	1	40	215	46 600	92 000	52 000
30	CF 30-1 VBR	CF 30-1 VB	CF 30-1 VBUUR	CF 30-1 VBUU	2 030	85	35	30	M30x1.5	32	37	100	63	15	1	8	4	17	1	49	438	67 700	144 000	85 900
	CF 30-2 VBR	CF 30-2 VB	CF 30-2 VBUUR	CF 30-2 VBUU	2 220	90	35	30	M30x1.5	32	37	100	63	15	1	8	4	17	1	49	438	67 700	144 000	85 900
	CF 30 VBR	CF 30 VB	CF 30 VBUUR	CF 30 VBUU	1 870	80	35	30	M30x1.5	32	37	100	63	15	1	8	4	17	1	49	438	67 700	144 000	85 900

* Not a stocked range although available on request.

GUIDE

- B = Hex
- No B = Slotted (Screwdriver)
- UU = 2 Rubber Seals
- R = Crowned / Spherical
- No R = Cylindrical
- V = Full Compliment
- No V = Caged