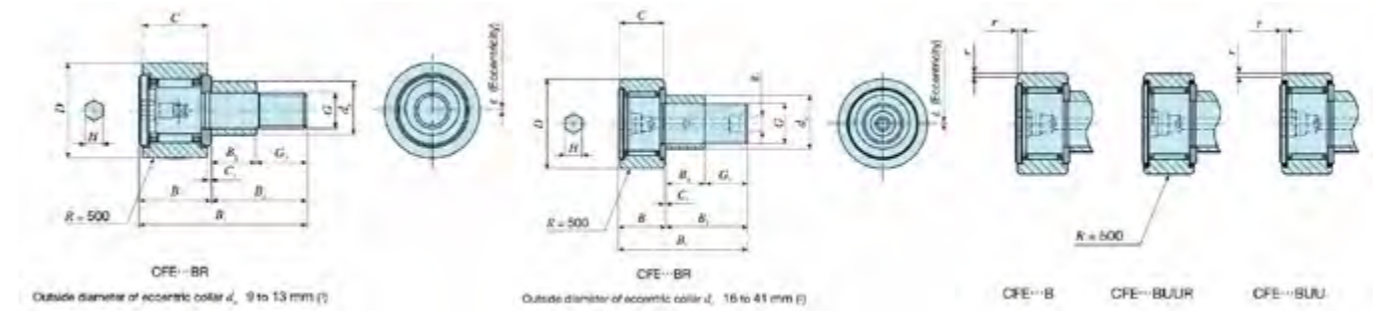
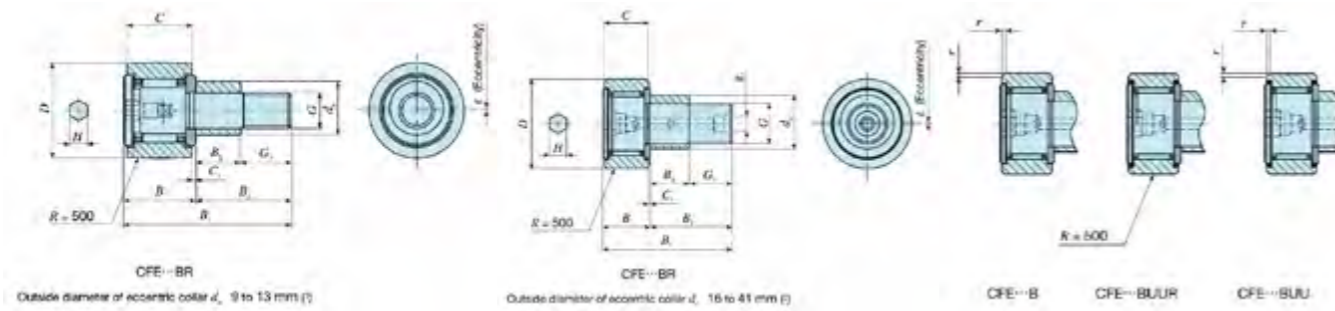


CFE Series

CFE Series



Outside diameter of eccentric collar mm	Identification number				Mass (Ref.) g	Boundary dimensions mm															Mounting dimension f Min. mm	Maximum tightening torque N-m	Basic dynamic load rating C N	Basic static load rating CO N	Maximum allowable static load N
	Shield type		Sealed type			D	C	de	G	B3	Bmax	B1max	B2	C1	g1	G1	H	rs min	Eccentricity						
	With crowned outer ring*	With cylindrical outer ring*	With crowned outer ring	With cylindrical outer ring																					
9	CFE 6 BR	CFE 6 B	CFE 6 BUUR	CFE 6 BUU	20.5	16	11	9	M6x1	7.5	12.2	28.2	16	0.6	-	8.5	3	0.3	0.4	11	2.7	3 660	3 650	1 950	
11	CFE 8 BR	CFE 8 B	CFE 8 BUUR	CFE 8 BUU	32	19	11	11	M8x1.25	9.5	12.2	32.2	20	0.6	-	10.5	4	0.3	0.4	13	6.5	4 250	4 740	4 620	
13	CFE 10-1 BR	CFE 10-1 B	CFE 10-1 BUUR	CFE 10-1 BUU	65	26	12	13	M10x1.25	10.5	13.2	36.2	23	0.6	-	12.5	4	0.3	0.4	16	13.8	5 430	6 890	6 890	
	CFE 10 BR	CFE 10 B	CFE 10 BUUR	CFE 10 BUU	49.5	22	12	13	M10x1.25	10.5	13.2	36.2	23	0.6	-	12.5	4	0.3	0.4	16	13.8	5 430	6 890	6 890	
16	CFE 12-1 BR	CFE 12-1 B	CFE 12-1 BUUR	CFE 12-1 BUU	115	32	14	16	M12x1.5	11.5	15.2	40.2	25	0.6	6	13.5	6	0.6	0.8	21	21.9	7 910	9 790	9 790	
	CFE 12 BR	CFE 12 B	CFE 12 BUUR	CFE 12 BUU	105	30	14	16	M12x1.5	11.5	15.2	40.2	25	0.6	6	13.5	6	0.6	0.8	21	21.9	7 910	9 790	9 790	
22	CFE 16 BR	CFE 16 B	CFE 16 BUUR	CFE 16 BUU	190	35	18	22	M16x1.5	15.5	19.6	52.1	32.5	0.8	6	17	6	0.6	0.8	26	58.5	12 000	18 300	18 300	
24	CFE 18 BR	CFE 18 B	CFE 18 BUUR	CFE 18 BUU	280	40	20	24	M18x1.5	17.5	21.6	58.1	36.5	0.8	6	19	8	1	0.8	29	86.2	14 800	25 200	25 200	
	CFE 18 VBR	CFE 18 VB	CFE 18 VBUUR	CFE 18 VBUU	285	40	20	24	M18x1.5	17.5	21.6	58.1	36.5	0.8	6	19	8	1	0.8	29	86.2	25 300	51 300	31 100	
27	CFE 20-1 BR	CFE 20-1 B	CFE 20-1 BUUR	CFE 20-1 BUU	425	47	24	27	M20x1.5	19.5	25.6	66.1	40.5	0.8	8	21	8	1	0.8	34	119	20 700	34 600	34 600	
	CFE 20-1 VBR	CFE 20-1 VB	CFE 20-1 VBUUR	CFE 20-1 VBUU	430	47	24	27	M20x1.5	19.5	25.6	66.1	40.5	0.8	8	21	8	1	0.8	34	119	33 200	64 500	37 500	
	CFE 20 BR	CFE 20 B	CFE 20 BUUR	CFE 20 BUU	500	52	24	27	M20x1.5	19.5	25.6	66.1	40.5	0.8	8	21	8	1	0.8	34	119	20 700	34 600	34 600	
	CFE 20 VBR	CFE 20 VB	CFE 20 VBUUR	CFE 20 VBUU	505	52	24	27	M20x1.5	19.5	25.6	66.1	40.5	0.8	8	21	8	1	0.8	34	119	33 200	64 500	37 500	
33	CFE 24 BR	CFE 24 B	CFE 24 BUUR	CFE 24 BUU	895	62	29	33	M24x1.5	25.5	30.6	80.1	49.5	0.8	8	24	12	1	0.8	40	215	30 500	52 600	52 000	
	CFE 24 VBR	CFE 24 VB	CFE 24 VBUUR	CFE 24 VBUU	900	62	29	33	M24x1.5	25.5	30.6	80.1	49.5	0.8	8	24	12	1	0.8	40	215	46 600	92 000	52 000	
	CFE 24-1 BR	CFE 24-1 B	CFE 24-1 BUUR	CFE 24-1 BUU	1 220	72	29	33	M24x1.5	25.5	30.6	80.1	49.5	0.8	8	24	12	1	0.8	40	215	30 500	52 600	52 000	
41	CFE 30-1 BR	CFE 30-1 B	CFE 30-1 BUUR	CFE 30-1 BUU	2 190	85	35	41	M30x1.5	32.5	37	100	63	1	8	30.5	17	1	1.5	49	438	45 400	85 100	85 100	
	CFE 30-2 BR	CFE 30-2 B	CFE 30-2 BUUR	CFE 30-2 BUU	2 380	90	35	41	M30x1.5	32.5	37	100	63	1	8	30.5	17	1	1.5	49	438	45 400	85 100	85 100	
	CFE 30-2 VBR	CFE 30-2 VB	CFE 30-2 VBUUR	CFE 30-2 VBUU	2 380	90	35	41	M30x1.5	32.5	37	100	63	1	8	30.5	17	1	1.5	49	438	67 700	144 000	85 900	
	CFE 30 BR	CFE 30 B	CFE 30 BUUR	CFE 30 BUU	2 030	80	35	41	M30x1.5	32.5	37	100	63	1	8	30.5	17	1	1.5	49	438	45 400	85 100	85 100	

* Not a stocked range although available on request.

GUIDE

- B = Hex
- No B = Slotted (Screwdriver)
- UU = 2 Rubber Seals
- R = Crowned / Spherical
- No R = Cylindrical
- V = Full Compliment
- No V = Caged
- F = Stainless Steel