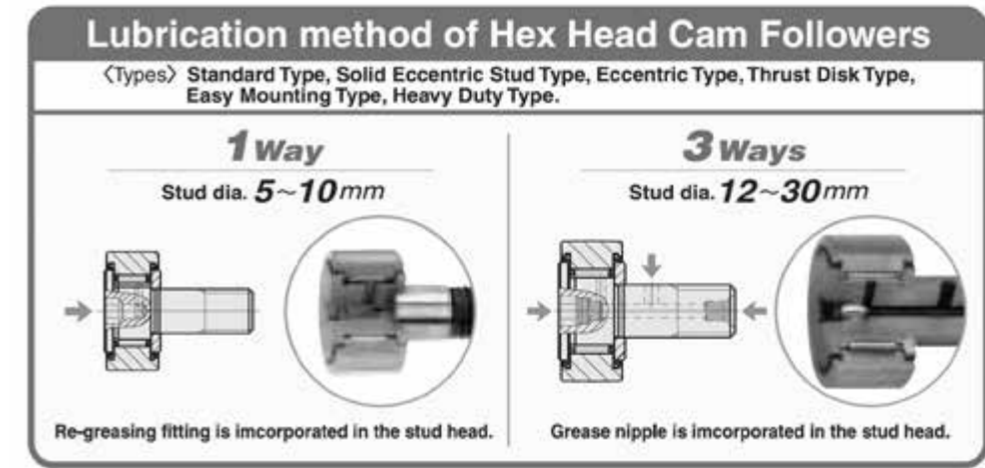
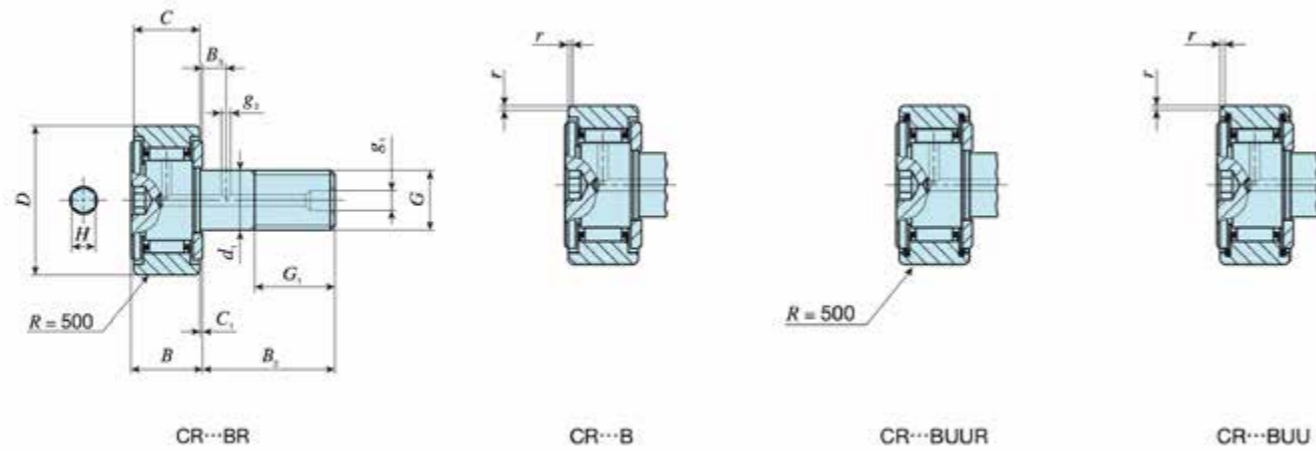


CR Series

CR Series

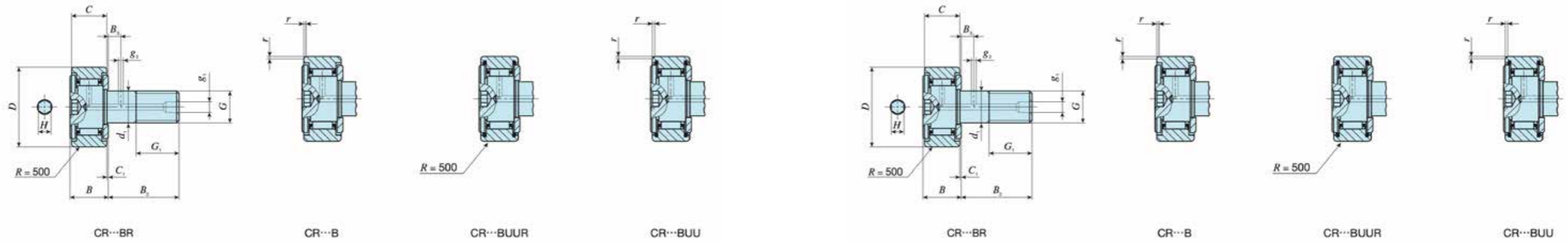


Stud dia. inch	Identification number				Mass (Ref.) g	Dimensions (inch)					Dimensions (inch)								Mounting dimension f Min. (inch)	Maximum tightening torque N-m	Basic dynamic load rating C N	Basic static load rating CO N
	Shield type		Sealed type			D	C	d1	G UNF	G1	Bmax	B2	B3	C1	g1	g2	H	r				
	With crowned outer ring*	With cylindrical outer ring*	With crowned outer ring	With cylindrical outer ring																		
3/16	CR 8-1 BR	CR 8-1 B	CR 8-1 BUUR	CR 8-1 BUU	10	1/2	3/8	4.826	No.10-32	1/4	0.43	5/8	-	1/32	-	-	1/8	1/64	21/64	1.4	2 520	2 140
	CR 8-1 VBR	CR 8-1 VB	CR 8-1 VBUUR	CR 8-1 VBUU	10	1/2	3/8	4.826	No.10-32	1/4	0.43	5/8	-	1/32	-	-	1/8	1/64	21/64	1.4	4 710	5 410
	CR 8-1 R	CR 8-1	CR 8-1 UUR	CR 8-1 UU	10	1/2	3/8	4.826	No.10-32	1/4	0.43	5/8	-	1/32	1/8	-	-	1/64	21/64	1.4	2 520	2 140
	CR 8-1 VR	CR 8-1 V	CR 8-1 VUUR	CR 8-1 VUU	10	1/2	3/8	4.826	No.10-32	1/4	0.43	5/8	-	1/32	1/8	-	-	1/64	21/64	1.4	4 710	5 410
3/16	CR 8 VBR	CR 8 VB	CR 8 VBUUR	CR 8 VBUU	9	1/2	11/32	4.826	No.10-32	1/4	0.4	1/2	-	1/32	3/16	-	1/8	1/64	21/64	1.4	4 260	4 750
	CR 8 BR	CR 8 B	CR 8 BUUR	CR 8 BUU	9	1/2	11/32	4.826	No.10-32	1/4	0.4	1/2	-	1/32	-	-	1/8	1/64	21/64	1.4	2 520	2 140
1/4	CR 10-1 VBR	CR 10-1 VB	CR 10-1 VBUUR	CR 10-1 VBUU	21	5/8	7/16	1/4	1/4 - 28	5/16	0.49	3/4	-	1/32	-	-	1/8	1/64	29/64	3.4	6 340	8 530
	CR 10 VBR	CR 10 VB	CR 10 VBUUR	CR 10 VBUU	19	5/8	13/32	1/4	1/4 - 28	5/16	0.46	5/8	-	1/32	-	-	1/8	1/64	29/64	3.4	5 830	7 660
	CR 10-1 BR	CR 10-1 B	CR 10-1 BUUR	CR 10-1 BUU	21	5/8	7/16	1/4	1/4 - 28	5/16	0.49	3/4	-	1/32	-	-	1/8	1/64	29/64	3.4	3 650	3 670
	CR 10 BR	CR 10 B	CR 10 BUUR	CR 10 BUU	19	5/8	13/32	1/4	1/4 - 28	5/16	0.46	5/8	-	1/32	-	-	1/8	1/64	29/64	3.4	3 650	3 670
3/8	CR 12 VBR	CR 12 VB	CR 12 VBUUR	CR 12 VBUU	36	3/4	1/2	3/8	3/8 - 24	3/8	0.56	7/8	1/4	1/32	3/16	3/32	3/16	1/32	17/32	10.8	8 710	12 300
	CR 12 BR	CR 12 B	CR 12 BUUR	CR 12 BUU	35	3/4	1/2	3/8	3/8 - 24	3/8	0.56	7/8	1/4	1/32	3/16	3/32	3/16	1/32	17/32	10.8	4 420	5 110
	CR 12 R	CR 12	CR 12 UUR	CR 12 UU	35	3/4	1/2	3/8	3/8 - 24	3/8	0.56	7/8	1/4	1/32	3/16	3/32	-	1/32	17/32	10.8	4 420	5 110
	CR 14 BR	CR 14 B	CR 14 BUUR	CR 14 BUU	46	7/8	1/2	3/8	3/8 - 24	3/8	0.56	7/8	1/4	1/32	3/16	3/32	3/16	1/32	19/32	10.8	4 790	5 810
7/16	CR 14 VBR	CR 14 VB	CR 14 VBUUR	CR 14 VBUU	47	7/8	1/2	3/8	3/8 - 24	3/8	0.56	7/8	1/4	1/32	3/16	3/32	3/16	1/32	19/32	10.8	8 710	12 300
	CR 16 VBR	CR 16 VB	CR 16 VBUUR	CR 16 VBUU	74	1	5/8	7/16	7/16 - 20	1/2	0.68	1	1/4	1/32	3/16	1/8	1/4	3/64	45/64	17.4	13 100	22 700
	CR 16 BR	CR 16 B	CR 16 BUUR	CR 16 BUU	73	1	5/8	7/16	7/16 - 20	1/2	0.68	1	1/4	1/32	3/16	1/8	1/4	3/64	45/64	17.4	8 810	10 800
	CR 18 BR	CR 18 B	CR 18 BUUR	CR 18 BUU	88	1 1/8	5/8	7/16	7/16 - 20	1/2	0.68	1	1/4	1/32	3/16	1/8	1/4	1/16	3/4	17.4	9 180	11 600
	CR 18 VBR	CR 18 VB	CR 18 VBUUR	CR 18 VBUU	85	1 1/8	5/8	7/16	7/16 - 20	1/2	0.68	1	1/4	1/32	3/16	1/8	1/4	1/16	3/4	17.4	13 100	22 700
1/2	CR 18 R	CR 18	CR 18 UUR	CR 18 UU	88	1 1/8	5/8	7/16	7/16 - 20	1/2	0.68	1	1/4	1/32	3/16	1/8	-	1/16	3/4	17.4	9 180	11 600
	CR 20 BR	CR 20 B	CR 20 BUUR	CR 20 BUU	132	1 1/4	3/4	1/2	1/2 - 20	5/8	0.8	1 1/4	5/16	1/32	3/16	1/8	1/4	1/16	55/64	27.7	14 200	16 000
	CR 20 VBR	CR 20 VB	CR 20 VBUUR	CR 20 VBUU	137	1 1/4	3/4	1/2	1/2 - 20	5/8	0.8	1 1/4	5/16	1/32	3/16	1/8	1/4	1/16	55/64	27.7	23 600	31 700
	CR 22 VBR	CR 22 VB	CR 22 VBUUR	CR 22 VBUU	160	1 3/8	3/4	1/2	1/2 - 20	5/8	0.8	1 1/4	5/16	1/32	3/16	1/8	1/4	1/16	55/64	27.7	23 600	31 700
5/8	CR 22 BR	CR 22 B	CR 22 BUUR	CR 22 BUU	157	1 3/8	3/4	1/2	1/2 - 20	5/8	0.8	1 1/4	5/16	1/32	3/16	1/8	1/4	1/16	55/64	27.7	14 200	16 000
	CR 24 BR	CR 24 B	CR 24 BUUR	CR 24 BUU	225	1 1/2	7/8	5/8	5/8 - 18	3/4	0.93	1 1/2	3/8	1/32	3/16	5/32	5/16	1/16	1 3/64	55.7	18 600	24 300
	CR 24 VBR	CR 24 VB	CR 24 VBUUR	CR 24 VBUU	230	1 1/2	7/8	5/8	5/8 - 18	3/4	0.93	1 1/2	3/8	1/32	3/16	5/32	5/16	1/16	1 3/64	55.7	28 200	40 100
	CR 24 BR	CR 24 B	CR 24 BUUR	CR 24 BUU	225	1 1/2	7/8	5/8	5/8 - 18	3/4	0.93	1 1/2	3/8	1/32	3/16	5/32	5/16	1/16	1 3/64	55.7	18 600	24 300
	CR 24 R	CR 24	CR 24 UUR	CR 24 UU	225	1 1/2	7/8	5/8	5/8 - 18	3/4	0.93	1 1/2	3/8	1/32	3/16	5/32	-	1/16	1 3/64	55.7	18 600	24 300
CR 26 BR	CR 26 B	CR 26 BUUR	CR 26 BUU	260	1 5/8	7/8	5/8	5/8 - 18	3/4	0.93	1 1/2	3/8	1/32	3/16	5/32	5/16	1/16	1 3/64	55.7	18 600	24 300	

* Not a stocked range although available on request.

CR Series

CR Series



Stud dia. inch	Identification number				Mass (Ref.) g	Dimensions (inch)					Dimensions (inch)								Mounting dimension f Min. (inch)	Maximum tightening torque N-m	Basic dynamic load rating C N	Basic static load rating CO N
	Shield type		Sealed type			D	C	d1	G UNF	G1	Bmax	B2	B3	C1	g1	g2	H	r				
	With crowned outer ring*	With cylindrical outer ring*	With crowned outer ring	With cylindrical outer ring																		
3/4	CR 28 BR	CR 28 B	CR 28 BUUR	CR 28 BUU	365	1 3/4	1	3/4	3/4 - 16	7/8	1.06	1 3/4	7/16	1/32	3/16	5/32	5/16	1/16	19/32	100	25 100	38 200
	CR 28 BR	CR 28 B	CR 28 BUUR	CR 28 BUU	365	1 3/4	1	3/4	3/4 - 16	7/8	1.06	1 3/4	7/16	1/32	3/16	5/32	5/16	1/16	19/32	100	25 100	38 200
	CR 28 VBR	CR 28 VB	CR 28 VBUUR	CR 28 VBUU	372	1 3/4	1	3/4	3/4 - 16	7/8	1.06	1 3/4	7/16	1/32	3/16	5/32	5/16	1/16	19/32	100	35 300	55 600
	CR 30 BR	CR 30 B	CR 30 BUUR	CR 30 BUU	410	1 7/8	1	3/4	3/4 - 16	7/8	1.06	1 3/4	7/16	1/32	3/16	5/32	5/16	1/16	19/32	100	25 100	38 200
	CR 30 VBR	CR 30 VB	CR 30 VBUUR	CR 30 VBUU	418	1 7/8	1	3/4	3/4 - 16	7/8	1.06	1 3/4	7/16	1/32	3/16	5/32	5/16	1/16	19/32	100	35 300	55 600
7/8	CR 32 BR	CR 32 B	CR 32 BUUR	CR 32 BUU	615	2	1 1/4	7/8	7/8 - 14	1	1.32	2	1/2	1/32	3/16	3/16	7/16	1/16	15/32	162	32 500	63 900
	CR 32 BR	CR 32 B	CR 32 BUUR	CR 32 BUU	615	2	1 1/4	7/8	7/8 - 14	1	1.32	2	1/2	1/32	3/16	3/16	7/16	1/16	15/32	162	32 500	63 900
	CR 36 BR	CR 36 B	CR 36 BUUR	CR 36 BUU	750	2 1/4	1 1/4	7/8	7/8 - 14	1	1.32	2	1/2	1/32	3/16	3/16	7/16	1/16	15/32	162	32 500	63 900
1 1/4	-	-	-	CR 48 VBUU	900	3	1 1/4	1 3/4	-	-	-	-	-	-	-	-	-	-	-	-	-	-

* Not a stocked range although available on request.

GUIDE

- B = Hex
- No B = Slotted (Screwdriver)
- UU = 2 Rubber Seals
- R = Crowned / Spherical
- No R = Cylindrical
- V = Full Compliment
- No V = Caged