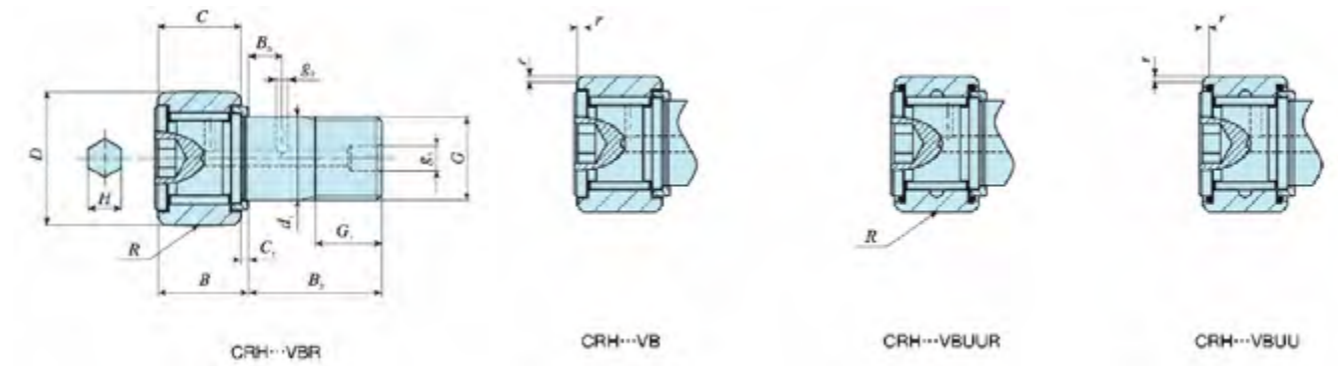
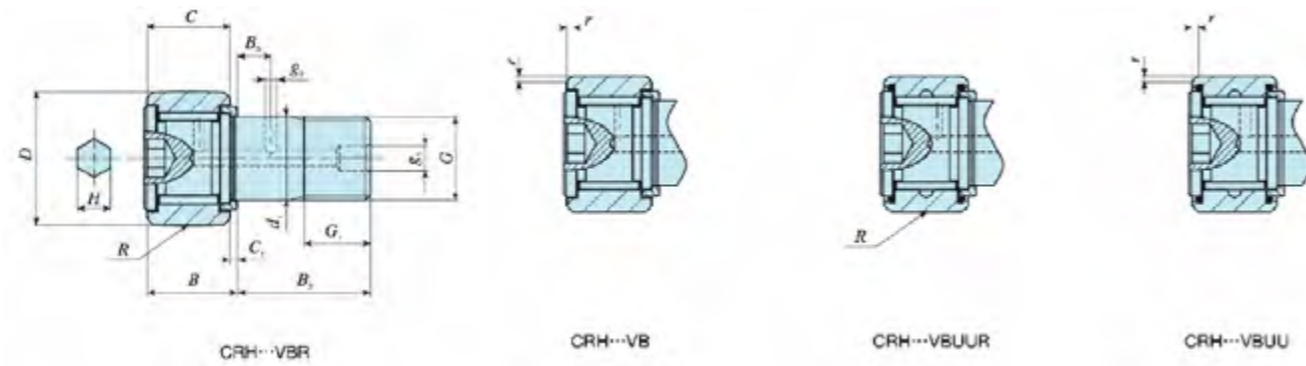


CRH Series

CRH Series

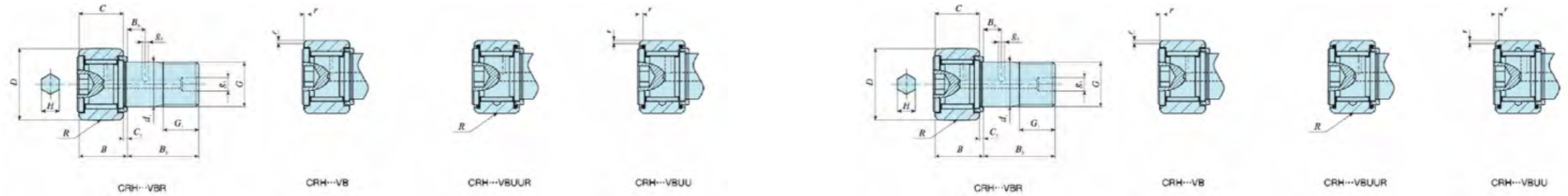


Stud dia. (inch)	Identification number		Mass (Ref.) g	Dimensions (inch)					Mounting dimension f Min. (inch)	Maximum tightening torque N-m	Basic dynamic load rating C N	Basic static load rating CO N								
	Shield type*	Sealed type		D	C	d1	G UNF	G1					Bmax	B2	B3	C1	g1	g2	H	R
5/16	CRH 10-1 VBR	CRH 10-1 VBUUR	23	5/8	7/16	5/16	5/16 - 24	5/16	0.5	3/4	-	1/32	-	-	1/8	8	7/16	6.8	6 340	8 530
	CRH 11 VBR	CRH 11 VBUUR	27	11/16	7/16	5/16	5/16 - 24	5/16	0.5	3/4	-	1/32	-	-	1/8	8	7/16	6.8	6 340	8 530
	CRH 10-1 VB	CRH 10-1 VBUU	23	5/8	7/16	5/16	5/16 - 24	5/16	0.5	3/4	-	1/32	-	-	1/8	1/64	7/16	6.8	6 340	8 530
	CRH 11 VB	CRH 11 VBUU	27	11/16	7/16	5/16	5/16 - 24	5/16	0.5	3/4	-	1/32	-	-	1/8	1/64	7/16	6.8	6 340	8 530
7/16	CRH 12 VBR	CRH 12 VBUUR	39	3/4	1/2	7/16	7/16 - 20	3/8	0.57	7/8	1/4	1/32	3/16	3/32	3/16	10	17/32	17.6	8 710	12 300
	CRH 14 VBR	CRH 14 VBUUR	49	7/8	1/2	7/16	7/16 - 20	3/8	0.57	7/8	1/4	1/32	3/16	3/32	3/16	10	17/32	17.6	8 710	12 300
	CRH 12 VB	CRH 12 VBUU	39	3/4	1/2	7/16	7/16 - 20	3/8	0.57	7/8	1/4	1/32	3/16	3/32	3/16	1/32	17/32	17.6	8 710	12 300
	CRH 14 VB	CRH 14 VBUU	49	7/8	1/2	7/16	7/16 - 20	3/8	0.57	7/8	1/4	1/32	3/16	3/32	3/16	1/32	17/32	17.6	8 710	12 300
5/8	CRH 16 VBR	CRH 16 VBUUR	93	1	5/8	5/8	5/8 - 18	1/2	0.7	1	1/4	1/16	3/16	3/32	1/4	12	23/32	57.8	13 100	22 700
	CRH 18 VBR	CRH 18 VBUUR	109	1 1/8	5/8	5/8	5/8 - 18	1/2	0.7	1	1/4	1/16	3/16	3/32	1/4	12	23/32	57.8	13 100	22 700
	CRH 16 VB	CRH 16 VBUU	93	1	5/8	5/8	5/8 - 18	1/2	0.7	1	1/4	1/16	3/16	3/32	1/4	3/64	23/32	57.8	13 100	22 700
	CRH 18 VB	CRH 18 VBUU	109	1 1/8	5/8	5/8	5/8 - 18	1/2	0.7	1	1/4	1/16	3/16	3/32	1/4	1/16	23/32	57.8	13 100	22 700
3/4	CRH 20 VBR	CRH 20 VBUUR	176	1 1/4	3/4	3/4	3/4 - 16	5/8	0.83	1 1/4	5/16	1/16	3/16	3/32	1/4	14	61/64	103	23 600	31 700
	CRH 22 VBR	CRH 22 VBUUR	200	1 3/8	3/4	3/4	3/4 - 16	5/8	0.83	1 1/4	5/16	1/16	3/16	3/32	1/4	14	61/64	103	23 600	31 700
	CRH 20 VB	CRH 20 VBUU	176	1 1/4	3/4	3/4	3/4 - 16	5/8	0.83	1 1/4	5/16	1/16	3/16	3/32	1/4	1/16	61/64	103	23 600	31 700
	CRH 22 VB	CRH 22 VBUU	200	1 3/8	3/4	3/4	3/4 - 16	5/8	0.83	1 1/4	5/16	1/16	3/16	3/32	1/4	1/16	61/64	103	23 600	31 700
7/8	CRH 24 VBR	CRH 24 VBUUR	296	1 1/2	7/8	7/8	7/8 - 14	3/4	0.96	1 1/2	3/8	1/16	3/16	3/32	5/16	20	1 1/16	162	28 200	40 100
	CRH 26 VBR	CRH 26 VBUUR	329	1 5/8	7/8	7/8	7/8 - 14	3/4	0.96	1 1/2	3/8	1/16	3/16	3/32	5/16	20	1 1/16	162	28 200	40 100
	CRH 24 VB	CRH 24 VBUU	296	1 1/2	7/8	7/8	7/8 - 14	3/4	0.96	1 1/2	3/8	1/16	3/16	3/32	5/16	1/16	1 1/16	162	28 200	40 100
1	CRH 28 VBR	CRH 28 VBUUR	463	1 3/4	1	1	1 - 14UNS	7/8	1.08	1 3/4	7/16	1/16	3/16	3/32	5/16	20	1 19/64	258	35 300	55 600
	CRH 30 VBR	CRH 30 VBUUR	508	1 7/8	1	1	1 - 14UNS	7/8	1.08	1 3/4	7/16	1/16	3/16	3/32	5/16	20	1 19/64	258	35 300	55 600
	CRH 28 VB	CRH 28 VBUU	463	1 3/4	1	1	1 - 14UNS	7/8	1.08	1 3/4	7/16	1/16	3/16	3/32	5/16	1/16	1 19/64	258	35 300	55 600
	CRH 30 VB	CRH 30 VBUU	508	1 7/8	1	1	1 - 14UNS	7/8	1.08	1 3/4	7/16	1/16	3/16	3/32	5/16	1/16	1 19/64	258	35 300	55 600
1 1/8	CRH 32 VBR	CRH 32 VBUUR	722	2	1 1/4	1 1/8	1 1/8 - 12	1	1.35	2	1/2	1/16	3/16	1/8	7/16	24	1 15/32	356	45 700	80 600
	CRH 32 VB	CRH 32 VBUU	722	2	1 1/4	1 1/8	1 1/8 - 12	1	1.35	2	1/2	1/16	3/16	1/8	7/16	1/16	1 15/32	356	45 700	80 600
	CRH 36 VB	CRH 36 VBUU	858	2 1/4	1 1/4	1 1/8	1 1/8 - 12	1	1.35	2	1/2	1/16	3/16	1/8	7/16	1/16	1 15/32	356	45 700	80 600

\* Not a stocked range although available on request.

CRH Series

CRH Series



Stud dia. (inch)	Identification number		Mass (Ref.) g	Dimensions (inch)					Dimensions (inch)								Mounting dimension f Min. (inch)	Maximum tightening torque N-m	Basic dynamic load rating C N	Basic static load rating CO N
	Shield type*	Sealed type		D	C	d1	G UNF	G1	Bmax	B2	B3	C1	g1	g2	H	R				
1 1/4	CRH 40 VBR	CRH 40 VBUUR	1 260	2 1/2	1 1/2	1 1/4	1 1/4 -12	1 1/8	1.57	2 1/4	9/16	1/16	3/16	1/8	1/2	30	1 39/64	500	61 400	116 000
	CRH 44 VBR	CRH 44 VBUUR	1 460	2 3/4	1 1/2	1 1/4	1 1/4 -12	1 1/8	1.57	2 1/4	9/16	1/16	3/16	1/8	1/2	30	1 39/64	500	61 400	116 000
	CRH 40 VB	CRH 40 VBUU	1 260	2 1/2	1 1/2	1 1/4	1 1/4 -12	1 1/8	1.57	2 1/4	9/16	1/16	3/16	1/8	1/2	3/32	1 39/64	500	61 400	116 000
	CRH 44 VB	CRH 44 VBUU	1 460	2 3/4	1 1/2	1 1/4	1 1/4 -12	1 1/8	1.57	2 1/4	9/16	1/16	3/16	1/8	1/2	3/32	1 39/64	500	61 400	116 000
1 1/2	CRH 52 VBR	CRH 52 VBUUR	2 380	3 1/4	1 3/4	1 1/2	1 1/2 -12	1 1/4	1.83	2 1/2	5/8	1/16	1/4	1/8	3/4	30	2 3/64	892	77 600	172 000
	CRH 48 VB	CRH 48 VBUU	2 100	3	1 3/4	1 1/2	1 1/2 -12	1 1/4	1.83	2 1/2	5/8	1/16	1/4	1/8	3/4	3/32	2 3/64	892	77 600	172 000
	CRH 52 VB	CRH 52 VBUU	2 380	3 1/4	1 3/4	1 1/2	1 1/2 -12	1 1/4	1.83	2 1/2	5/8	1/16	1/4	1/8	3/4	3/32	2 3/64	892	77 600	172 000
1 3/4	CRH 56 VBR	CRH 56 VBUUR	3 240	3 1/2	2	1 3/4	1 3/4 - 12UN	1 3/8	2.08	2 3/4	11/16	1/16	1/4	1/8	3/4	30	2 23/64	1 450	111 000	239 000
	CRH 56 VB	CRH 56 VBUU	3 240	3 1/2	2	1 3/4	1 3/4 - 12UN	1 3/8	2.08	2 3/4	11/16	1/16	1/4	1/8	3/4	3/32	2 23/64	1 450	111 000	239 000

\* Not a stocked range although available on request.

GUIDE

- B = Hex
- No B = Slotted (Screwdriver)
- UU = 2 Rubber Seals
- R = Crowned / Spherical
- No R = Cylindrical
- V = Full Compliment
- No V = Caged
- F = Stainless Steel