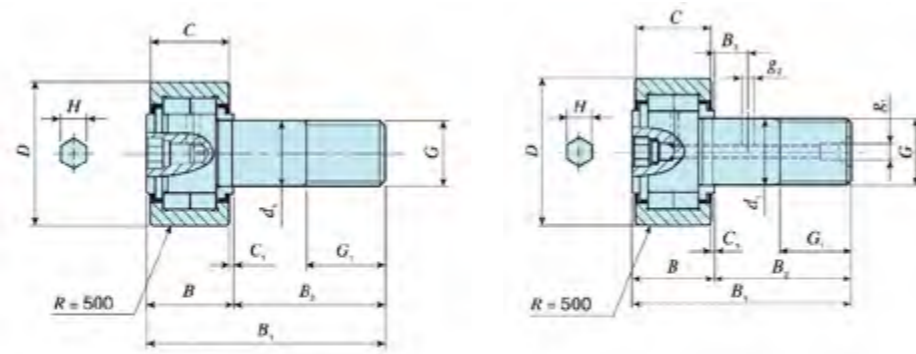


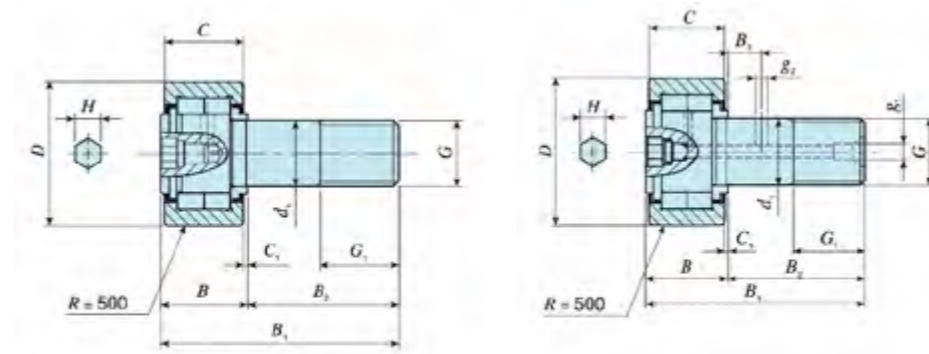
NUCF Series

NUCF Series



Stud dia. d_1 10 mm (1)

Stud dia. d_1 12 to 30 mm (2)



Stud dia. d_1 10 mm (1)

Stud dia. d_1 12 to 30 mm (2)

Stud dia. mm	Identification number	Mass (Ref.) g	Dimensions mm								Dimensions mm					Mounting dimension f Min. mm	Maximum tightening torque N-m	Basic dynamic load rating C N	Basic static load rating CO N	Maximum allowable static load N
			D	C	d1	G	G1	Bmax	B1max	B2	B3	C1	g1	g2	H					
10	NUCF 10-1 BR	58	26	12	10	M 10x1.25	12	13.2	36.2	23	-	0.6	-	-	4	12	13.8	10 400	11 500	9 210
	NUCF 10 BR	44	22	10	M 10x1.25	12	13.2	36.2	23	-	0.6	-	-	4	12	13.8	10 400	11 500	5 300	
12	NUCF 12-1 BR	97	32	14	12	M 12x1.5	13	15.2	40.2	25	6	0.6	4	3	6	17	21.9	14 000	13 400	9 040
	NUCF 12 BR	86	30	14	12	M 12x1.5	13	15.2	40.2	25	6	0.6	4	3	6	17	21.9	14 000	13 400	5 650
16	NUCF 16 BR	167	35	18	16	M 16x1.5	17	19.6	52.1	32.5	8	0.8	4	3	6	20	58.5	23 400	27 300	11 800
18	NUCF 18 BR	244	40	20	18	M 18x1.5	19	21.6	58.1	36.5	8	0.8	6	3	8	22	86.2	25 200	30 900	20 300
20	NUCF 20-1 BR	384	47	24	20	M 20x1.5	21	25.6	66.1	40.5	9	0.8	6	4	8	27	119	38 900	49 000	27 200
	NUCF 20 BR	457	52	24	20	M 20x1.5	21	25.6	66.1	40.5	9	0.8	6	4	8	31	119	43 100	58 100	30 000
24	NUCF 24-1 BR	1 020	72	29	24	M 24x1.5	25	30.6	80.1	49.5	11	0.8	6	4	12	44	215	63 900	88 800	57 000
	NUCF 24 BR	789	62	29	24	M 24x1.5	25	30.6	80.1	49.5	11	0.8	6	4	12	38	215	58 200	75 300	35 200
30	NUCF 30-2 BR	1 970	90	35	30	M 30x1.5	32	37	100	63	15	1	6	4	17	45	438	90 300	121 000	98 300
	NUCF 30 BR	1 600	80	35	30	M 30x1.5	32	37	100	63	15	1	6	4	17	45	438	90 300	121 000	98 300