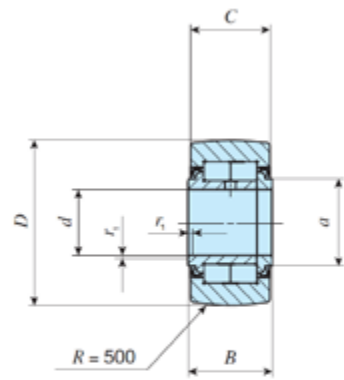
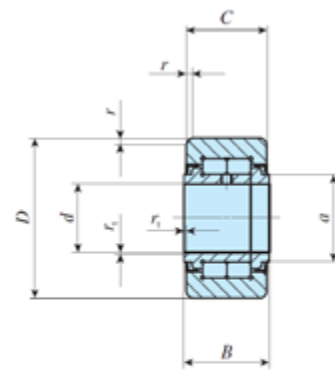


NURT Non-Separable Cage Series

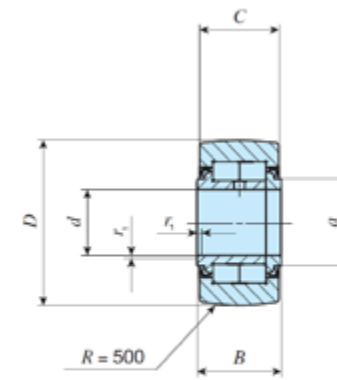
NURT Non-Separable Cage Series



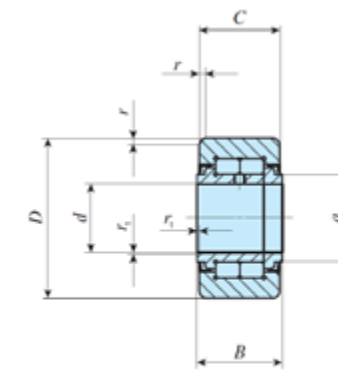
NURT...R



NURT



NURT...R



NURT

Shaft Dia. mm	Roller Followers with crowned outer ring		Mass (Ref.) g	Boundary dimensions mm							Basic dynamic load rating		Basic static load rating		Maximum allowable static load
	Crowned outer ring	Cylindrical outer ring		d	D	B	C	a	rs min	r1s min	C		C0		N
											N		N		
15	NURT 15 R	NURT 15	100	15	35	19	18	20	0.6	0.3	23 400		27 300		11 800
	NURT 15-1 R	NURT 15-1	160	15	42	19	18	20	0.6	0.3	23 400		27 300		27 300
17	NURT 17 R	NURT 17	147	17	40	21	20	22	1	0.3	25 200		30 900		20 300
	NURT 17-1 R	NURT 17-1	222	17	47	21	20	22	1	0.3	25 200		30 900		30 900
20	NURT 20 R	NURT 20	245	20	47	25	24	27	1	0.3	38 900		49 000		27 200
	NURT 20-1 R	NURT 20-1	321	20	52	25	24	27	1	0.3	38 900		49 000		49 000
25	NURT 25 R	NURT 25	281	25	52	25	24	31	1	0.3	43 100		58 100		30 000
	NURT 25-1 R	NURT 25-1	450	25	62	25	24	31	1	0.3	43 100		58 100		58 100
30	NURT 30 R	NURT 30	466	30	62	29	28	38	1	0.3	58 200		75 300		35 200
	NURT 30-1 R	NURT 30-1	697	30	72	29	28	38	1	0.3	58 200		75 300		75 300
35	NURT 35 R	NURT 35	630	35	72	29	28	44	1	0.6	63 900		88 800		57 000
	NURT 35-1 R	NURT 35-1	840	35	80	29	28	44	1	0.6	63 900		88 800		88 800
40	NURT 40 R	NURT 40	817	40	80	32	30	49	1	0.6	86 500		122 000		75 300
	NURT 40-1 R	NURT 40-1	1 130	40	100	32	30	53	1	0.6	86 500		122 000		122 000
45	NURT 45 R	NURT 45	883	45	85	32	30	53	1	0.6	91 500		135 000		78 700
	NURT 45-1 R	NURT 45-1	1400	45	100	32	30	53	1	0.6	91 500		135 000		135 000
50	NURT 50 R	NURT 50	950	50	90	32	30	58	1	0.6	96 300		148 000		82 100
	NURT 50-1 R	NURT 50-1	1690	50	110	32	30	58	1	0.6	96 300		148 000		148 000