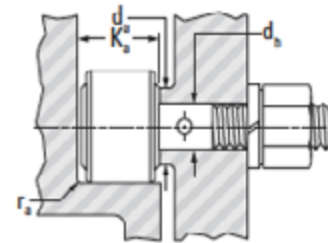
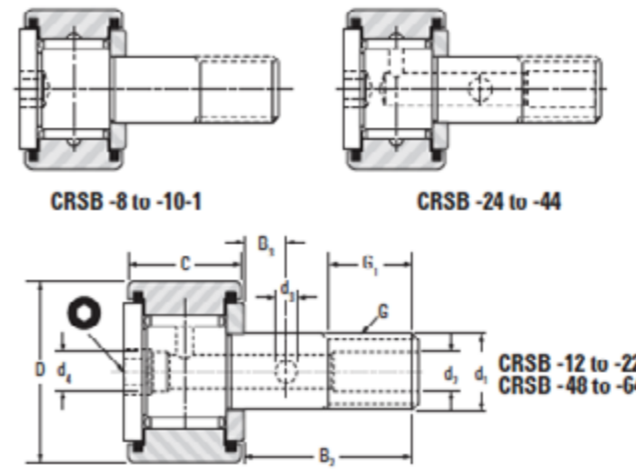


NOTE
Clamping torque is based on lubricated threads. If threads are dry, the torque values listed below may be doubled.



NOTE
Clamping torque is based on lubricated threads. If threads are dry, the torque values listed below may be doubled.

Outer Dia	d1	D	C	B2	B3	G1	d4	d2	d3	G	Bearing No.	Load Rating					Speed Rating Grease	Mounting Dimensions				Clamping Torque	Approx Wt.
												As a Bearing		As a Track Roller				db	ras	Ka	da		
						Cr				COr		Cw	Fr	FOr	Bore Dia.	Max.							
in	mm	mm	mm	mm	mm	Min	mm	mm	mm	UNF	in	kN	kN	kN	kN	kN	kN	mm	mm	mm	mm	lb-in	lbs
3 1/4	31.750	82.55	44.45	63.50	15.88	31.75	6.35	6.35	3.18	1 1/4-12	CRSB-52	74.29	177.93	54.71	85.85	147.24	990	31.750	2.29	46.13	53.98	389.85	2.18
	1.2500	3.250	1.750	2.500	0.625	1.250	0.250	0.250	0.125			16700	40000	12300	19300	33100		1.2500	0.090	1.816	2.125	3450	4.81
3 1/2	34.930	88.90	50.80	69.90	17.48	34.93	6.35	6.35	3.18	1 3/8-12	CRSB-56	109.87	225.52	82.29	94.75	191.27	950	34.925	2.29	52.48	61.93	474.6	2.91
	1.3750	3.500	2.000	2.750	0.688	1.375	0.250	0.250	0.125			24700	50700	18500	21300	43000		1.3750	0.090	2.066	2.438	4200	6.42
4	38.100	101.60	57.15	88.90	19.05	38.10	6.35	6.35	3.18	1 1/2-12	CRSB-64	137.89	319.38	98.75	125.88	250.43	780	38.100	2.29	58.83	71.04	565	4.26
	1.5000	4.000	2.250	3.500	0.750	1.500	0.250	0.250	0.125			31000	71800	22200	28300	56300		1.5000	0.090	2.316	2.797	5000	9.46