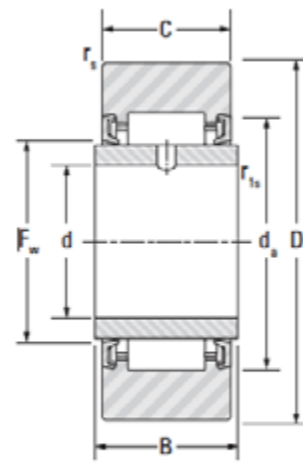
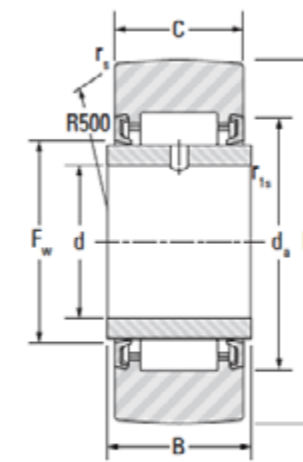


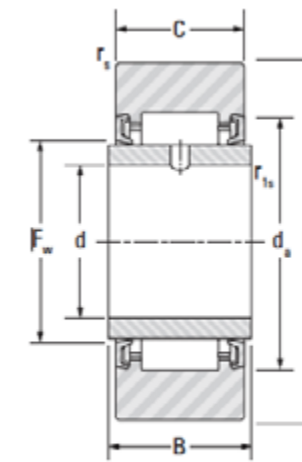
NA22.2RS



NA22.2RS.DZ



NA22.2RS



NA22.2RS.DZ

Outer Dia. D	d	B	C	Fw	Ew	rs	r1smin.		Crowned Track Roller	Cylindrical Track Roller	Load Ratings					Speed Rating Grease	Approx. Wt. kg
											As Bearing kN		As a Track Roller kN				
											Cr	Cor	Cw	Fr	FOr		
19	6	12	11.8	10	14	0.3	0.3		NA22/6-2RS	NA22/6-2RS-DZ	4.7	5.43	4.13	3.06	4.59	13000	0.018
24	8	12	11.8	12	18	0.3	0.3		NA22/8-2RS	NA22/8-2RS-DZ	6.7	6.08	5.31	3.37	5.22	11000	0.031
30	10	14	13.8	14	20	0.6	0.3		NA22000-2RS	NA2200-2RS-DZ	8.5	9.45	8.03	7.85	9.45	9400	0.057
32	12	14	13.8	16	22	0.6	0.3		NA2201-2RS	NA2201-2RS-DZ	9	10.5	8.2	7.78	10.1	8100	0.063
35	15	14	13.8	20	27	0.6	0.3		NA2202-2RS	NA2202-2RS-DZ	12.2	14.5	9.24	6	10.2	6300	0.07
40	17	16	15.8	22	30	1	0.3		NA2203-2RS	NA2203-2RS-DZ	16.3	17.8	11.9	8.5	13.7	5900	0.107
47	20	18	17.8	25	35	10	0.3		NA2204-2RS	NA2204-2RS-DZ	19.6	20.2	14.8	11	16.7	5200	0.175
52	25	18	17.8	30	40	1	0.3		NA2205-2RS	NA2205-2RS-DZ	21.6	24.3	15.5	11.3	17.7	4300	0.202
62	30	20	19.8	35	47	1	0.3		NA2206-2RS	NA2206-2RS-DZ	29	32.8	21.2	15.8	24.8	3700	0.324
72	35	23	22.8	42	54	1.1	0.6		NA2007-2RS	NA2007-2RS-DZ	40.5	52.5	28.6	24.2	37.9	3000	0.49
80	40	23	22.8	48	60	1.1	0.6		NA2208-2RS	NA2208-2RS-DZ	44	60	30.4	27.8	42	2600	0.615
85	45	23	22.8	52	64	1.1	0.6		NA2209-2RS	NA2209-2RS-DZ	45	63.9	30.9	29.7	43.7	2400	0.661
90	50	23	22.8	58	70	1.1	0.6		NA2210-2RS	NA2210-2RS-DZ	48	71.36	31	29.4	43.4	2100	0.712