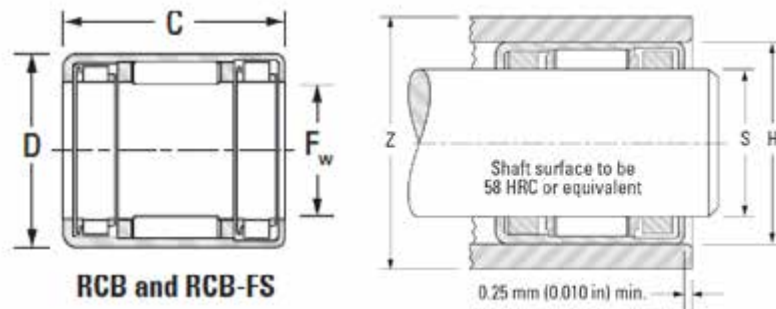


Roller Clutch

Drawn Cup Roller Clutch RCB Series

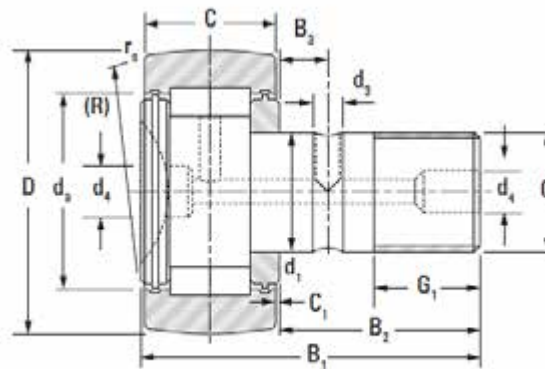


RCB and RCB-FS

Shaft Dia.	Fw	D	C	Clutch and Bearing Assembly Designation		Torque Rating	Minimum O.D. of Steel Housing of Rated Torque	Load Ratings		Fatigue Load Limit Cu
				With Stainless Steel Springs	With Integral Springs			Z	Cr	
9.525	9.53	15.88	22.23	RCB-061014-FS	RCB-061014	5.45	22.4	6.01	4.89	0.800
12.700	12.70	19.05	22.23	RCB-081214-FS	RCB-081214	8.85	27.9	7.12	6.49	1.05
15.875	15.88	22.23	25.40	RCB-101416-FS	RCB-101416	16.8	30.5	8.05	8.14	1.35
19.050	19.05	25.40	25.40	RCB-121616-FS	RCB-121616	23.3	35.6	8.90	9.79	1.60
25.400	25.40	33.35	27.00	RCB-162117-FS	RCB-162117	49.6	48.3	15.4	17.6	2.85

Cam Followers

NUKR Series - Metric



NUKR.2SK

Crowned Designation	Shaft Dia. d1 h7	D	C	Load Ratings					Tightening Torque	Speed Rating Grease	Approx Wt.
				As a Bearing		As a Track Roller					
				Cr	Cor	Cw	Fr	FOr			
NUKR35-2SK	16	35	18	24.7	29.4	16.2	10.1	16.1	53.2	6100	0.170
NUKR40-2SK	18	40	20	26.6	33.3	18.7	15.0	23.9	77.5	5300	0.250
NUKR47-2SK	20	47	24	41.4	53.2	28.1	20.5	32.7	109	4500	0.380
NUKR52-2SK	20	52	24	41.4	53.2	28.1	20.5	32.7	109	4500	0.380
NUKR62-2SK	24	62	29	62.7	83.1	40.9	29.6	47.2	193	3200	0.790
NUKR72-2SK	24	72	29	68.9	97.8	46.1	39.6	63.1	193	2600	1.040
NUKR80-2SK	30	80	35	95.4	130	69.74	63.2	101	390	2900	1.550
NUKR90-2SK	30	90	35	95.4	130	77.8	97.8	128	390	2900	2.020