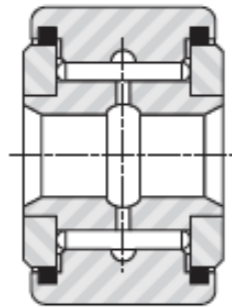
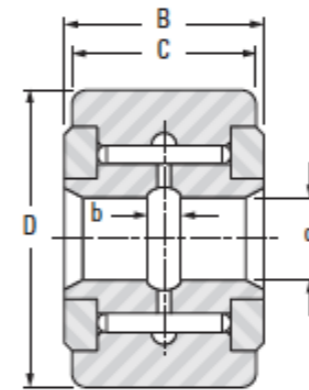
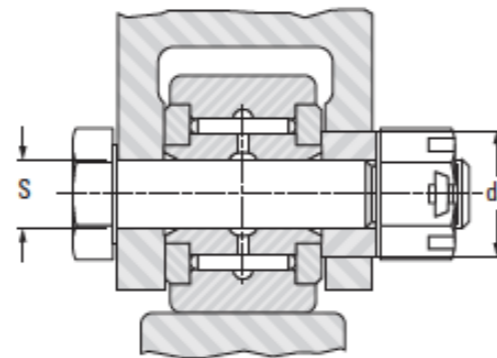


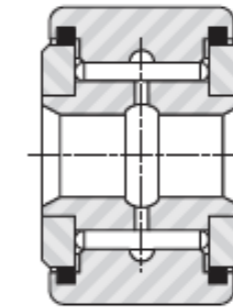
YCR



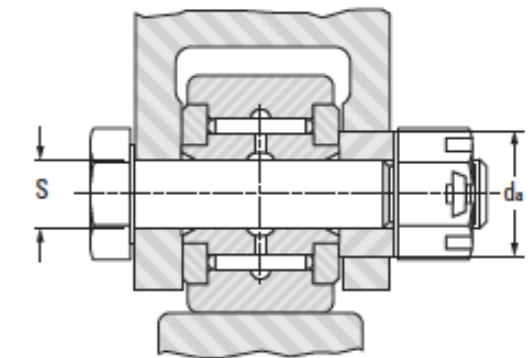
YCRS



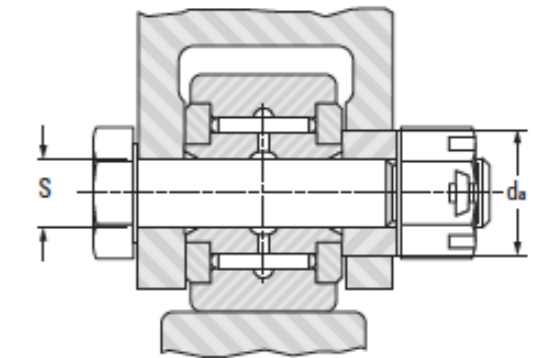
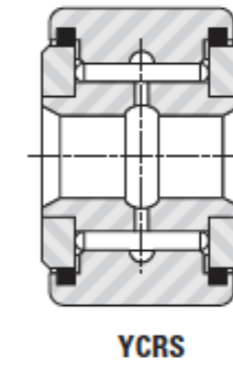
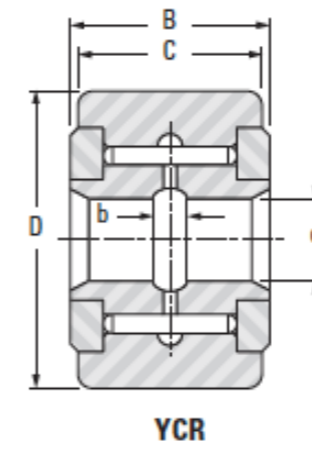
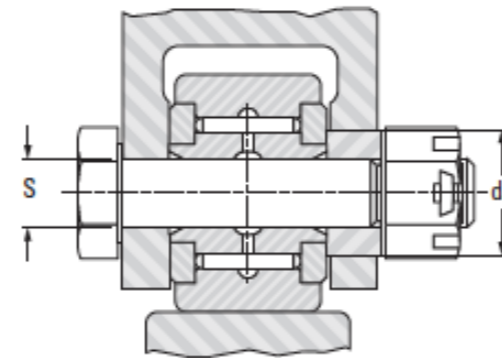
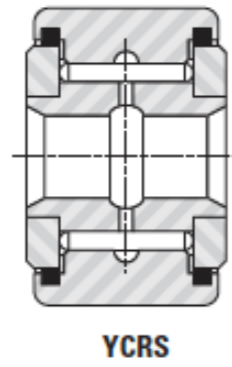
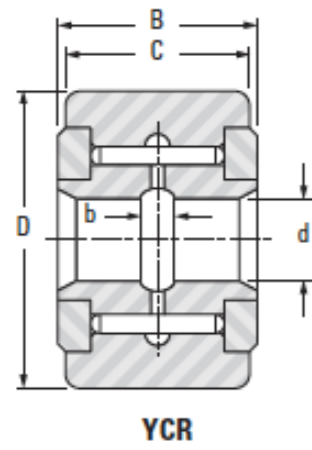
YCR



YCRS



Outer Dia.	D	d		B	C	b	Track Roller Designation		Load Rating			Speed Rating Grease	Mounting Dimensions				da	Approx Wt.			
		Max.	Min.				Without Seals*	With Seals and Internal Thrust Washers	As a Bearing				As a Track Roller			Shaft Bolt Diameters (S)					
		Cr	COr						Cw	Fr	FOr		Loose Fit (f7)		Tight Fit				Clamping Diameter Min		
		kN	kN				kN	kN					kN	Max.	Min.	Max.				Min.	
		in	mm				mm	mm	mm	mm	mm		mm	mm	mm	mm			mm	mm	mm
3/4	19.05	6.355	6.34	14.280	12.70	2.95	YCR-12	YCRS-12	10.14	14.68		6.27	2.92	6.98	3800	6.342	6.332	6.363	6.353	1.55	0.03
	0.750	0.2502	0.2496	0.5625	0.500	0.116			2280	3300						1410	656		1570	0.2497	0.2493
7/8	22.23	6.355	6.34	14.280	12.70	2.95	YCR-14	YCRS-14	10.14	14.68		7.38	4.94	11.88	3800	6.342	6.332	6.363	6.353	1.55	0.04
	0.875	0.2502	0.2496	0.5625	0.500	0.116			2280	3300						1660	1110		2670	0.2497	0.2493
1	25.40	7.943	7.927	17.460	15.88	3.18	YCR-16	YCRS-16	12.99	21.93		8.41	5.60	13.43	2800	7.930	7.920	7.950	7.940	1.98	0.07
	1.000	0.3127	0.3121	0.6875	0.625	0.125			2920	4930						1890	1260		3020	0.3122	0.3118
1 1/8	28.58	7.943	7.927	17.460	15.88	3.18	YCR-18	YCRS-18	12.99	21.93		9.43	8.18	17.48	2800	7.930	7.920	7.950	7.940	1.98	0.08
	1.125	0.3127	0.3121	0.6875	0.625	0.125			2920	4930						2120	1840		3930	0.3122	0.3118
1 1/4	31.75	9.53	9.515	20.640	19.05	3.20	YCR-20	YCRS-20	23.31	30.29		16.06	7.38	17.75	2700	9.517	9.507	9.538	9.528	2.49	0.11
	1.250	0.3752	0.3746	0.8125	0.750	0.126			5240	6810						3610	1660		3990	0.3747	0.3743
1 3/8	34.93	9.53	9.515	20.640	19.05	3.20	YCE-22	YCRS-22	23.31	30.29		17.66	10.45	25.04	2700	9.517	9.507	9.538	9.528	2.49	0.14
	1.375	0.3752	0.3746	0.8125	0.750	0.126			5240	6810						3970	2350		5630	0.3747	0.3743
1 1/2	38.10	1.118	11.102	23.810	22.23	3.18	YCR-24	YCRS-24	28.16	40.26		20.15	11.97	28.74	2700	11.105	11.095	11.125	11.115	2.77	0.19
	1.500	0.4377	0.4371	0.9375	0.875	0.125			6330	9050						4530	2690		6460	0.4372	0.4368
1 5/8	41.20	1.118	11.102	23.810	22.23	3.18	YCR-26	YCRS-26	28.16	40.26		21.62	15.66	36.08	2300	11.105	11.095	11.125	11.115	2.77	0.23
	1.625	0.4377	0.4371	0.9375	0.875	0.125			6330	9050						4860	3520		8110	0.4372	0.4368
1 3/4	44.45	12.703	12.687	26.990	25.40	3.20	YCR-28	YCRS-28	35.50	56.49		25.93	19.04	45.82	1900	12.692	12.682	12.718	12.708	3.18	0.29
	1.750	0.5001	0.4995	1.0625	1.000	0.126			7980	12700						5830	5280		10300	0.4997	0.4993
1 7/8	47.63	12.703	12.687	26.990	25.40	3.20	YCR-30	YCRS-30	35.50	56.49		27.40	23.66	51.15	1900	12.692	12.682	12.718	12.708	3.18	0.36
	1.875	0.5001	0.4995	1.0625	1.000	0.126			7980	12700						6160	5320		11500	0.4997	0.4993
2	50.80	15.878	15.862	33.340	31.75	3.20	YCR-32	YCRS-32	43.19	75.62		31.89	28.11	62.72	1700	15.867	15.857	15.893	15.883	3.58	0.48
	2.000	0.6251	0.6245	1.3125	1.250	0.126			9710	17000						7170	6320		14100	0.6247	0.6243
2 1/4	57.15	15.878	15.862	33.340	31.75	3.20	YCR-36	YCRS-36	43.19	75.62		34.70	39.86	73.40	1700	15.867	15.857	15.839	15.883	3.58	0.60
	2.250	0.6251	0.6245	1.3125	1.250	0.126			9710	17000						7800	8960		16500	0.6247	0.6243
2 1/2	63.50	19.053	19.037	39.690	38.10	3.68	YCR-40	YCRS-40	58.27	117.43		44.48	54.71	104.09	1400	19.042	19.032	19.068	19.058	4.29	0.82
	2.500	0.7501	0.7495	1.5625	1.500	0.145			13100	26400						10000	12300		23400	0.7497	0.7493
2 3/4	69.85	19.053	19.037	39.690	38.10	3.68	YCR-44	YCRS-44	58.27	117.43		47.15	71.17	116.54	1400	19.042	19.032	19.068	19.058	4.29	1.02
	2.750	0.7501	0.7495	1.5625	1.500	0.145			13100	26400						10600	16000		26200	0.7497	0.7493
3	76.20	25.403	25.387	46.040	44.45	3.68	YCR-48	YCRS-48	74.29	177.93		51.60	68.50	131.22	990	25.390	25.377	25.420	25.408	5.41	1.41
	3.000	1.0001	0.9995	1.8125	1.750	0.145			16700	40000						11600	15400		29500	0.9996	0.9991
3 1/4	82.55	25.403	25.387	46.040	44.45	3.68	YCR-52	YCRS-52	74.29	177.93		54.71	85.85	147.24	990	25.390	25.377	25.420	25.408	5.41	1.64
	3.250	1.0001	0.9995	1.8125	1.750	0.145			16700	40000						12300	19300		33100	0.9996	0.9991



Outer Dia.	D	d		B	C	b	Track Roller Designation		Load Rating			Speed Rating Grease	Mounting Dimensions				da	Approx Wt.			
		Max.	Min.				Without Seals*	With Seals and Internal Thrust Washers	As a Bearing		As a Track Roller			Shaft Bolt Diameters (S)							
in	mm	mm	mm	mm	mm	mm					Cr	COr		Cw	Fr	FOr	min-1	Loose Fit (f7)		Tight Fit	
	in	in	in	in	in	in			kN	kN		kN	kN	kN		Max.	Min.	Max	Min	N-m	kg
									lbf	lbf		lbf	lbf	lbf		in	in	in	in	lb-in	lbs
3 1/2	88.90	28.578	28.562	52.390	50.80	3.68	YCR-56	YCRS-56	109.87	225.52		82.29	94.75	191.27	950	28.565	28.552	28.595	28.583	6.20	2.25
	3.500	1.1251	1.1245	2.0625	2.000	0.145			24700	50700		18500	21300	43000		1.1246	1.1241	1.1258	1.1253	2.440	4.95
4	101.60	37.753	37.737	58.740	57.15	3.68	YCR-64	YCRS-64	137.89	319.38		98.75	125.88	250.43	780	31.740	31.727	31.770	31.758	7.11	3.20
	4.000	1.2501	1.2495	2.3125	2.250	0.145			31000	71800		22200	28300	56300		1.2496	1.2491	1.2508	1.2503	2.800	7.05
5	127.00	44.453	44.437	73.030	69.85	8.66	YCR-80	YCRS-80	210.40	484.86		149.02	171.70	370.09	620	44.440	44.427	44.470	44.458	9.04	6.51
	5.000	1.7501	1.7495	2.875	2.750	0.341			47300	109000		33500	38600	83200		1.7496	1.7491	1.7508	1.7503	3.560	14.34