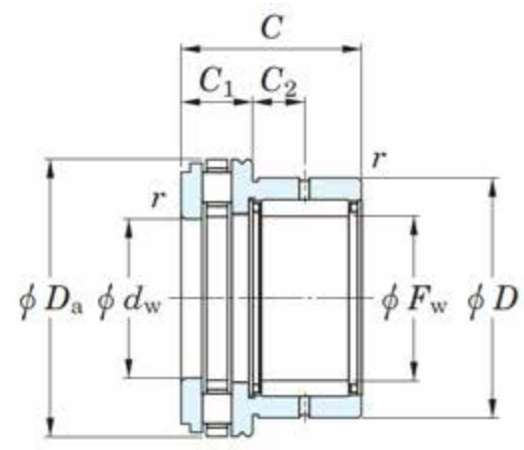
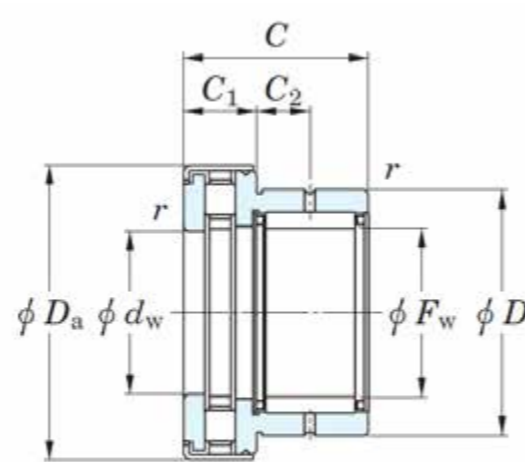


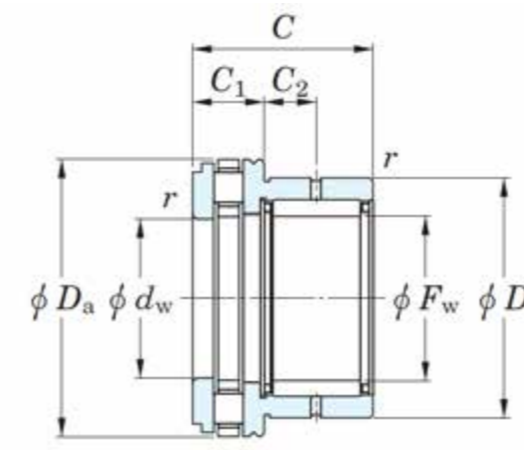
Shaftdia.	Boundary dimensions(mm)								Bearing No.	Limiting speed(min-1)	Basic load ratings				Fatigue load limits(kN)		Mass(kg)	Matching inner ring No.	
	Fw	D	C	dw	Da	C1	C2	r min.			Oil lub.	Radial		Thrust		Cu			
												Cr	COr	Ca	COa	Radial			Thrust
10	10	19	23	10	25	9	6.5	0.3	NAXK10Z	9 500	7.9	8.7	10.4	14	1.35	0.63	0.04	JR7x10x16	
	10	19	23	10	24	9	6.5	0.3	NAXK10	9 500	7.9	8.7	10.4	14	1.35	0.63	0.04	JR7x10x16	
12	12	21	23	12	27	9	6.5	0.3	NAXK12Z	9 000	7.5	8.5	10.7	15.4	1.3	0.69	0.047	JR9x12x16	
	12	21	23	12	26	9	6.5	0.3	NAXK12	9 000	7.5	8.5	10.7	15.4	1.3	0.69	0.046	JR9x12x16	
15	15	24	23	15	29	9	6.5	0.3	NAXK15Z	8 500	9.7	12.6	10.9	16.8	1.9	0.76	0.05	JR12x15x16	
	15	24	23	15	28	9	6.5	0.3	NAXK15	8 500	9.7	12.6	10.9	16.8	1.9	0.76	0.047	JR12x15x16	
17	17	26	25	17	31	9	8	0.3	NAXK17Z	8 500	11.4	16.1	11.8	19.6	2.5	0.88	0.064	JR14x17x17	
	17	26	25	17	30	9	8	0.3	NAXK17	8 500	11.4	16.1	11.8	19.6	2.5	0.88	0.06	JR14x17x17	
20	20	30	30	20	36	10	10.5	0.3	NAXK20Z	7 000	14.8	23.7	15.5	26.6	3.65	1.2	0.094	JR17x20x20	
	20	30	30	20	36	10	10.5	0.3	NAXK20	7 000	14.8	23.7	15.5	26.6	3.65	1.2	0.089	JR17x20x20	
25	25	37	30	25	43	11	9.5	0.6	NAXK25Z	6 300	18.8	29.8	18.8	35.5	4.6	1.6	0.141	JR20x25x20	
	25	37	30	25	42	11	9.5	0.6	NAXK25	6 300	18.8	29.8	18.8	35.5	4.6	1.6	0.134	JR20x25x20	
30	30	42	30	30	48	11	9.5	0.6	NAXK30Z	5 600	20.2	34.6	19.5	39.9	5.35	2.15	0.154	JR25x30x20	
	30	42	30	30	47	11	9.5	0.6	NAXK30	5 600	20.2	34.6	19.5	39.9	5.35	2.15	0.146	JR25x30x20	
35	35	47	30	35	53	12	9	0.6	NAXK35Z	5 300	22.1	40.8	20.8	46.6	6.35	2.1	0.184	JR30x35x20	
	35	47	30	35	52	12	9	0.6	NAXK35	5 300	22.1	40.8	46.6	46.6	6.35	2.1	0.176	JR30x35x20	
40	40	52	32	40	61	13	10	0.6	NAXK40Z	4 500	23.8	47	28	62.9	7.3	2.85	0.233	JR35x40x20	
	40	52	32	40	60	13	10	0.6	NAXK40	4 500	23.8	47	28	62.9	7.3	2.85	0.224	JR35x40x20	
45	45	58	32	45	66.5	14	9	0.6	NAXK45Z	4 500	24.9	51.8	29	69.2	8.05	3.1	0.275	JR40x45x20	
	45	58	32	45	65	14	9	0.6	NAXK45	4 500	24.9	51.8	29	69.2	8.05	3.1	0.262	JR40x45x20	
50	50	62	35	50	71.5	14	10	0.6	NAXK50Z	4 300	30.2	68.5	29.9	75.5	10.7	3.4	0.332	JR45x50x25	
	50	62	35	50	70	14	10	0.6	NAXK50	4 300	30.2	68.5	29.9	75.5	10.7	3.4	0.316	JR45x50x25	
60	60	72	40	60	85	17	12	1	NAXK60	3 600	31.9	78.1	43	113	12.2	5.1	0.48	JR50x60x25	
70	70	85	40	70	95	18	11	1	NAXK70	3 400	43.6	87.9	41.6	110	13.9	4.95	0.65	JR60x70x25	



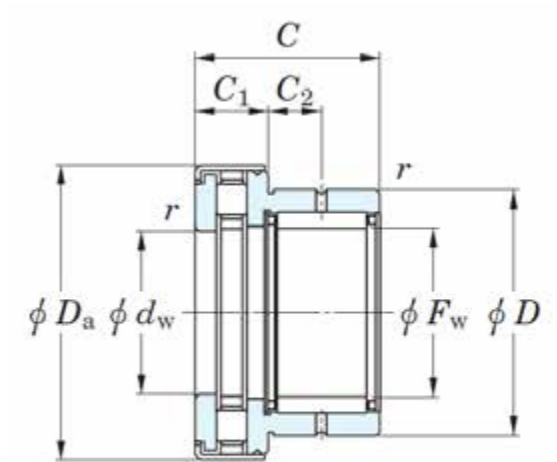
NAXR



NAXR.Z
Z = Dust cap



NAXR



NAXR.Z
Z = Dust cap

Shaft dia.	Boundary dimensions								Bearing No.		Limiting speed(min-1)	Basic load ratings(kN)				Fatigue load limits(kN)		Mass (kg)	Matching inner ring No.
	Fw	D	C	dw	Da	C1	C2	r min.	NAXR	NAXR.Z		Radial		Thrust		Cu			
												Cr	COr	Ca	COa	Radial	Thrust		
15	15	24	23	15	29	9	6.5	0.3	-	NAXR15.Z	12 000	9.7	12.6	12.1	26.3	2.3	3.7	0.035	JR12x15x16
17	17	26	25	17	31	9	8	0.3	-	NAXR17.Z	11 000	11.4	16.1	12.6	28.6	2.7	4.05	0.053	JR14x17x17
	17	26	25	17	30	9	8	0.3	NAXR17	-		11.4	16.1	12.6	28.6	2.7	4.05	0.05	JR14x17x17
20	20	30	30	20	36	10	10.5	0.3	-	NAXR20Z.TN	9 500	14.8	23.7	23.6	56.8	4	8	0.095	JR17x20x20
	20	30	30	20	35	10	10.5	0.3	NAXR20TN	-		14.8	23.7	23.6	56.8	4	8	0.09	JR17x20x20
25	25	37	30	25	42	11	9.5	0.6	-	NAXR25Z.TN	8 000	18.8	29.8	31.2	81	4.8	11.4	0.146	JR20x25x20
	25	37	30	25	42	11	9.5	0.6	NAXR25TN	-		18.8	29.8	31.2	81	4.8	11.4	0.152	JR20x25x20
30	30	42	30	30	48	11	9.5	0.6	-	NAXR30Z.TN	6 700	20.2	34.6	33	91.1	6.1	12.8	0.169	JR25x30x20
	30	42	30	30	47	11	9.5	0.6	NAXR30TN	-		20.2	34.6	33	91.1	6.1	12.8	0.162	JR25x30x20
35	35	47	30	35	53	12	9	0.6	-	NAXR35.Z	6 000	22.1	40.8	30.9	86	7.05	12.1	0.195	JR30x35x20
	35	47	30	35	52	12	9	0.6	NAXR35	-		22.1	40.8	30.9	86	7.05	12.1	0.186	JR30x35x20
40	40	52	32	40	61	13	10	0.6	-	NAXR40.Z	5 300	23.8	47	44.5	126	8.05	12	0.299	JR35x40x20
50	50	62	35	50	71	14	10	0.6	-	NAXR50.Z	4 300	30.2	68.5	49.7	155	12.5	14.8	0.452	JR45x50x25
	50	62	35	50	70	14	10	0.6	NAXR50	-		30.2	68.5	49.7	155	12.5	14.8	0.452	JR45x50x25