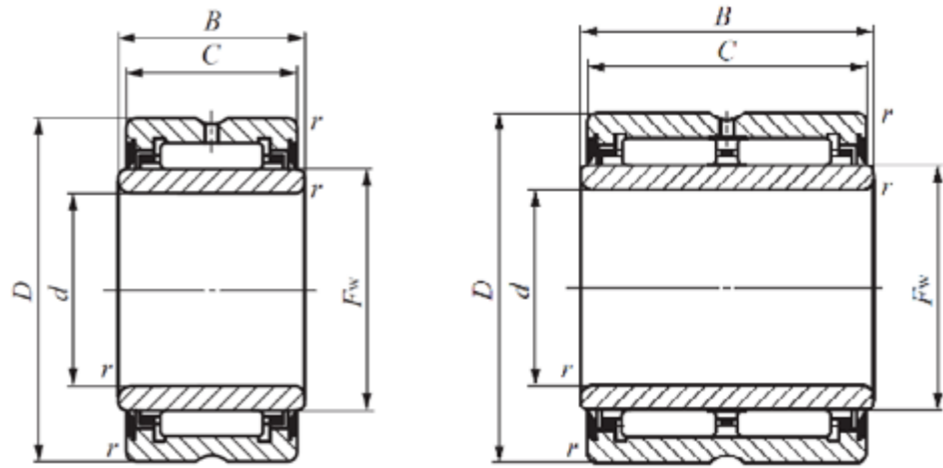
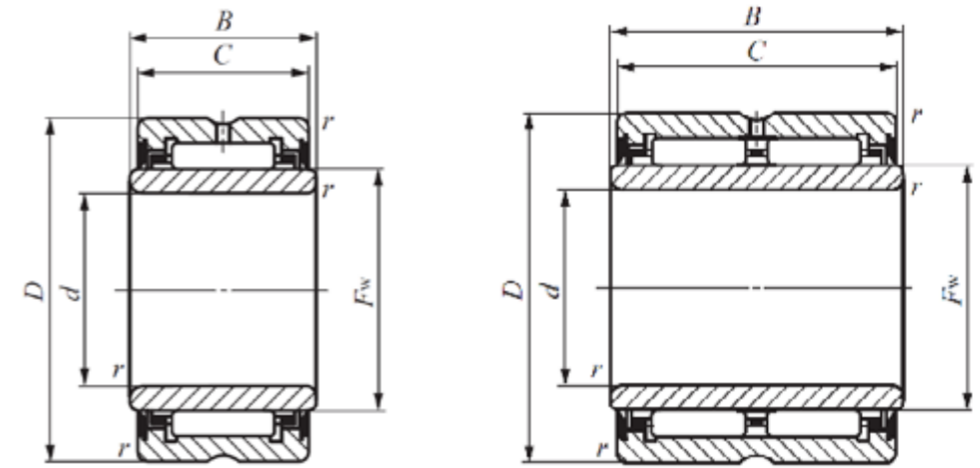


NA w/Inner Ring Series



NA49 ... UU

NA69 ... UU

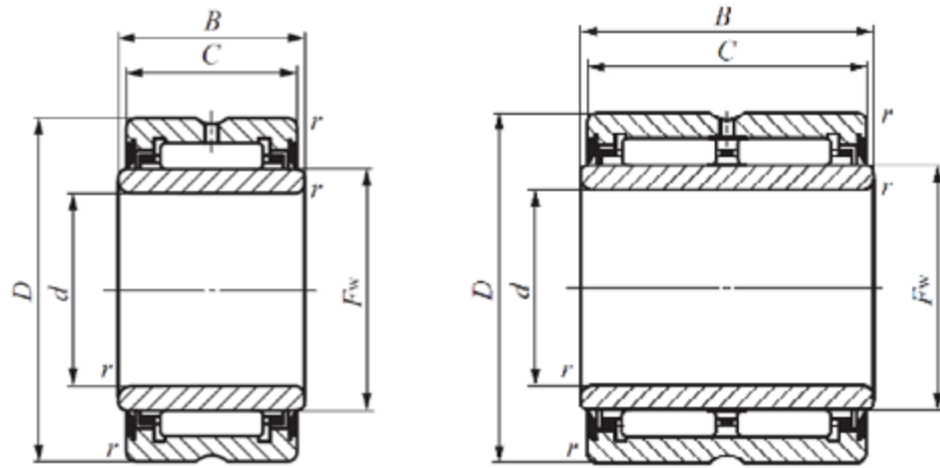


NA49 ... UU

NA69 ... UU

Shaft dia. mm	Identification number			Mass (Ref.) g	d	Boundary dimensions mm					Standard mounting dimensions mm			Basic dynamic load rating C	Basic static load rating CO N	Allowable rotational speed(3) rpm	Assembled inner ring
	NA 48	NA 49	NA 69			D	C	rs min	Fw	S2	da		Da				
											Min.	Max.					
8	-	NA 498	-	15	8	19	11	0.2	10	0.5	9.6	9.9	17.4	6 180	5 030	40 000	LRT 81011
10	-	NA 4900	-	24	10	22	13	0.3	14	0.5	12	13	20	9 230	10 100	30 000	LRT 101413
12	-	NA 4901	-	26.5	12	24	13	0.3	16	0.5	14	15	22	9 660	11 100	25 000	LRT 121613
	-	-	NA 6901	44.5	12	24	22	0.3	16	0.5	14	15	22	17 100	23 000	25 000	LRT 121622
15	-	NA 4902	-	35	15	28	13	0.3	20	0.3	17	19	26	10 900	13 800	20 000	LRT 152013
	-	-	NA 6902	61	15	28	23	0.3	20	0.3	17	19	26	19 300	28 800	20 000	LRT 152023
17	-	NA 4903	-	35	17	30	13	0.3	20	0.3	17	19	26	10 900	13 800	20 000	LRT 152013
	-	-	NA 6903	67	17	30	23	0.3	22	0.3	19	21	28	20 800	32 500	18 000	LRT 172223
20	-	NA 4904	-	78.5	20	37	17	0.3	25	0.5	22	24	35	21 000	25 000	16 000	LRT 202517
	-	-	NA 6904	136	20	37	30	0.3	25	0.5	22	24	35	35 400	48 900	16 000	LRT 202530
22	-	-	NA 69/22	152	22	39	30	0.3	28	0.5	24	27	37	36 300	56 900	14 000	LRT 222830
25	-	NA 4905	-	92.5	25	42	17	0.3	30	0.5	27	29	40	23 700	30 700	13 000	LRT 253017
	-	-	NA 6905	160	25	42	30	0.3	30	0.5	27	29	40	42 100	64 300	13 000	LRT 253030
28	-	-	NA 69/28	176	28	45	30	0.3	32	1	30	31	43	41 800	64 800	12 000	LRT 283230
	-	NA 49/28	-	101	28	45	17	0.3	32	1	30	31	43	24 500	32 700	12 000	LRT 283217
30	-	NA 4906	-	106	30	47	17	0.3	35	0.5	32	34	45	25 200	34 700	11 000	LRT 303517
	-	-	NA 6906	184	30	47	30	0.3	35	0.5	32	34	45	43 000	69 000	11 000	LRT 303530
32	-	-	NA 69/32	295	32	52	36	0.6	40	0.3	36	39	48	53 500	95 700	10 000	LRT 324036
	-	NA 49/32	-	165	32	52	20	0.6	40	0.5	36	39	48	31 200	47 800	10 000	LRT 324020
35	-	NA 4907	-	178	35	55	20	0.6	42	0.5	39	41	51	32 000	50 100	9 500	LRT 354220
	-	-	NA 6907	320	35	55	36	0.6	42	0.3	39	41	51	54 900	100 000	9 500	LRT 354236
40	-	NA 4908	-	245	40	62	22	0.6	48	0.5	44	47	58	41 600	67 400	8 500	LRT 404822
	-	-	NA 6908	440	40	62	40	0.6	48	0.3	44	47	58	71 300	135 000	8 500	LRT 404840
45	-	NA 4909	-	285	45	68	22	0.6	52	0.5	49	51	64	43 500	73 300	7 500	LRT 455222
	-	-	NA 6909	520	45	68	40	0.6	52	0.3	49	51	64	74 600	147 000	7 500	LRT 455240
50	-	NA 4910	-	295	50	72	22	0.6	58	0.5	54	57	68	46 200	82 100	7 000	LRT 505822
	-	-	NA 6910	530	50	72	40	0.6	58	0.3	54	57	68	79 200	164 000	7 000	LRT 505840
55	-	NA 4911	-	410	55	80	25	1	63	1	60	61	75	57 600	97 200	6 500	LRT 556325
	-	-	NA 6911	730	55	80	45	1	63	0.5	60	61	75	98 700	194 000	6 500	LRT 556345
60	-	NA 4912	-	440	60	85	25	1	68	1	65	66	80	60 200	105 000	6 000	LRT 606825-1
	-	-	NA 6912	785	60	85	45	1	68	0.5	65	66	80	103 000	211 000	6 000	LRT 606845

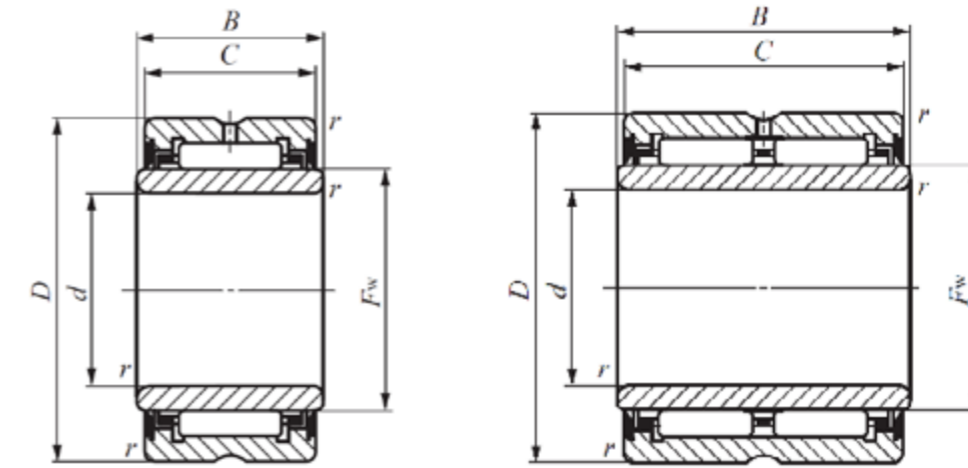
NA w/Inner Ring Series



NA49 ... UU

NA69 ... UU

NA w/Inner Ring Series

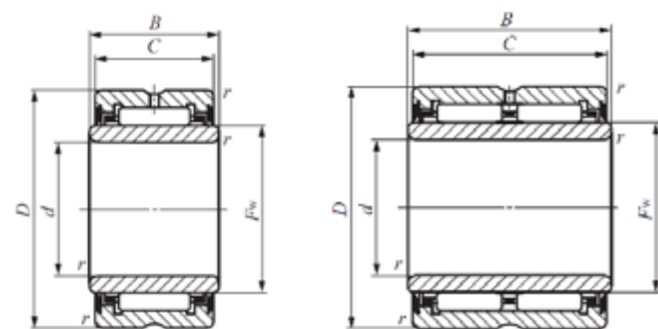


NA49 ... UU

NA69 ... UU

Shaft dia. mm	Identification number			Mass (Ref.) g	d	Boundary dimensions mm					Standard mounting dimensions mm			Basic dynamic load rating C	Basic static load rating C ₀ N	Allowable rotational speed(3) rpm	Assembled inner ring	
	NA 48	NA 49	NA 69			D	C	rs min	Fw	S2	da		Da					
											Min.	Max.						Max.
65	-	NA 4913	-	470	65	90	25	1	72	1		70	70.5	85	62 700	113 000	5 500	LRT 657225
	-	-	NA 6913	840	65	90	45	1	72	0.5		70	70.5	85	108 000	227 000	5 500	LRT 657245
70	-	NA 4914	-	765	70	100	30	1	80	1.5		75	78	95	83 200	158 000	5 000	LRT 708030
	-	-	NA 6914	1400	70	100	54	1	80	1		75	78	95	134 000	311 000	5 000	LRT 708054
75	-	NA 4915	-	810	75	105	30	1	85	1.5		80	83	100	86 200	169 000	4 500	LRT 758530
	-	-	NA 6915	1 480	75	105	54	1	85	1		80	83	100	138 000	331 000	4 500	LRT 758554
80	-	NA 4916	-	855	80	110	30	1	90	1.5		85	88	105	87 300	175 000	4 500	LRT 809030
	-	-	NA 6916	1 560	80	110	54	1	90	1		85	88	105	143 000	351 000	4 500	LRT 809054
85	-	-	NA 6917	2 340	85	120	63	1.1	100	0.5		91.5	98	113.5	173 000	467 000	4 000	LRT 8510063
90	-	-	NA 6918	2 460	90	125	63	1.1	105	0.5		96.5	103	118.5	178 000	490 000	4 000	LRT 9010563
100	-	NA 4920	-	1 960	100	140	40	1.1	115	1		106.5	113	133.5	145 000	329 000	3 500	LRT 10011540
110	-	NA 4922	-	2 120	110	150	40	1.1	125	1		116.5	123	143.5	152 000	357 000	3 000	LRT 11012540
120	NA 4824	-	-	1 300	120	150	30	1	130	1		125	128	145	96 900	259 000	3 000	LRT 12013030
130	NA 4826	-	-	1 960	130	165	35	1.1	145	1		136.5	143	158.5	116 000	340 000	3 000	LRT 13014535
150	NA 4830	-	-	2 880	150	190	40	1.1	165	1.5		156.5	163	183.5	168 000	446 000	2 500	LRT 15016540
160	NA 4832	-	-	3 050	160	200	40	1.1	175	1.5		166.5	173	193.5	173 000	474 000	2 500	LRT 16017540
170	NA 4834	-	-	4 120	170	215	45	1.1	185	1.5		176.5	183	208.5	211 000	567 000	1 900	LRT 17018545
180	NA 4836	-	-	4 340	180	225	45	1.1	195	1.5		186.5	208	232	249 000	726 000	1 800	LRT 19021050
190	NA 4838	-	-	5 760	190	240	50	1.5	210	1.5		198	218	242	255 000	766 000	1 600	LRT 20022050

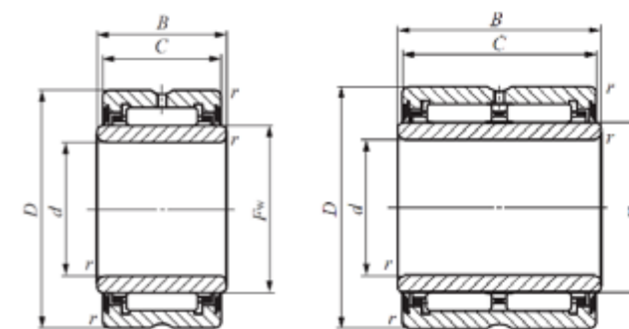
NA 4900UU Rubber Sealed w/Inner Ring Series



NA49...UU

NA69...UU

NA 4900UU Rubber Sealed w/Inner Ring Series



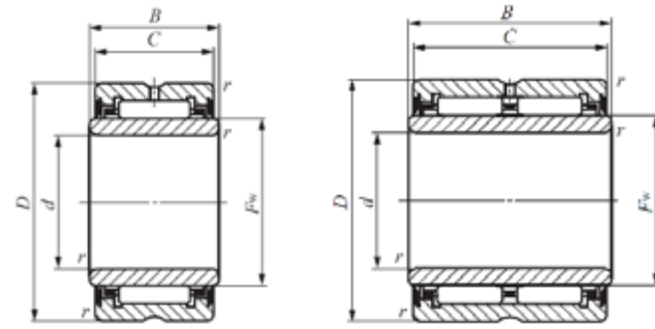
NA49...UU

NA69...UU

Shaft dia. mm	Identification number		Mass (Ref.) g	Boundary dimensions mm				rs min	Fw	Standard mounting dimensions (mm)			Basic dynamic load rating C N	Basic static load rating CO N	Allowable rotational speed 2 rpm	Assembled in- ner ring
	With two seals	With one seal*		d	D	C	B			da Min	da Max	Da Max				
10	NA 4900UU	NA 4900U	24.5	10	22	13	14	0.3	14	12	13	20	8 080	8 490	14 000	LRTZ 101414
12	NA 4901UU	NA 4901U	27.5	12	24	13	14	0.3	16	14	15	22	8 470	9 320	12 000	LRTZ 121614
15	NA 4902UU	NA 4902U	36	15	28	13	14	0.3	20	17	19	26	9 570	11 600	9 500	LRTZ 152014
17	NA 4903UU	NA 4903U	39.5	17	30	13	14	0.3	22	19	21	28	10 300	13 100	8 500	LRTZ 172214
20	NA 4904UU	NA 4904U	78.5	20	37	17	18	0.3	25	22	24	35	18 000	20 500	7 500	LRTZ 202518
25	NA 4905UU	NA 4905U	92.5	25	42	17	18	0.3	30	27	29	40	20 300	25 100	6 500	LRTZ 253018
28	NA 49/28 UU	-	101	28	45	17	18	0.3	32	30	31	43	24 500	32 700	12 000	LRT 283217
30	NA 4906UU	NA 4906U	106	30	47	17	18	0.3	35	32	34	45	21 500	28 400	5 500	LRTZ 303518
35	NA 4907UU	NA 4907U	179	35	55	20	21	0.6	42	39	41	51	30 100	46 300	4 500	LRTZ 354221
40	NA 4908UU	NA 4908U	245	40	62	22	23	0.6	48	44	47	58	37 200	58 400	4 000	LRTZ 404823
45	NA 4909UU	NA 4909U	290	45	68	22	23	0.6	52	49	51	64	38 900	63 400	3 500	LRTZ 455223
50	NA 4910UU	NA 4910U	295	50	72	22	23	0.6	58	54	57	68	41 300	71 100	3 500	LRTZ 505823
55	NA 4911UU	NA 4911U	415	55	80	25	26	1	63	60	61	75	52 200	85 700	3 000	LRTZ 556326
60	NA 4912UU	NA 4912U	445	60	85	25	26	1	68	65	66	80	54 500	92 800	3 000	LRTZ 606826
65	NA 4913UU	NA 4913U	475	65	90	25	26	1	72	70	70.5	85	56 800	99 800	2 500	LRTZ 657226
70	NA 4914UU	NA 4914U	770	70	100	30	31	1	80	75	78	95	76 900	143 000	2 500	LRTZ 708031
75	NA 4915UU	NA 4915U	815	75	105	30	31	1	85	80	83	100	79 600	153 000	2 000	LRTZ 758531
80	NA 4916UU	NA 4916U	860	80	110	30	31	1	90	85	88	105	80 700	158 000	2 000	LRTZ 809031
85	NA 4917UU	NA 4917U	1 300	85	120	35	36	1.1	100	91.5	98	113.5	103 000	225 000	1 900	LRTZ 8510036
90	NA 4918UU	NA 4918U	1 360	90	125	35	36	1.1	105	96.5	103	118.5	106 000	238 000	1 800	LRTZ 9010536
95	NA 4919UU	NA 4919U	1 420	95	130	35	36	1.1	110	101.5	108	123.5	109 000	250 000	1 700	LRTZ 9511036
12	NA 6901UU	NA 6901U	45.5	12	24	22	23	0.3	16	14	15	22	15 500	20 400	12 000	LRTZ 121623
15	NA 6902UU	NA 6902U	62.5	15	28	23	24	0.3	20	17	19	26	18 500	27 100	9 500	LRTZ 152024
17	NA 6903UU	NA 6903U	68.5	17	30	23	24	0.3	22	19	21	28	19 800	30 600	8 500	LRTZ 172224
20	NA 6904UU	NA 6904U	137	20	37	30	31	0.3	25	22	24	35	33 000	44 600	7 500	LRTZ 202531
22	NA 69/22 UU	NA69/22U	152	22	39	30	31	0.3	28	24	27	37	36 300	56 900	7 000	LRT 222830

* Not a stocked range although available on request.

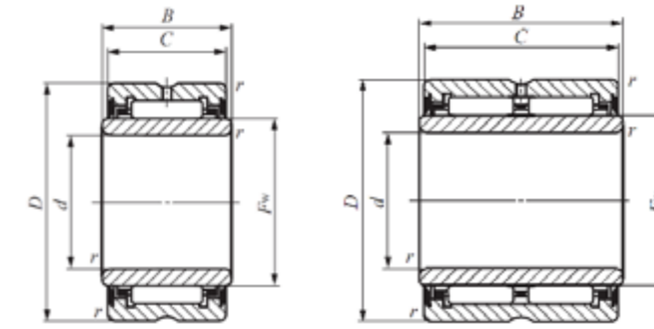
NA 6900UU Rubber Sealed w/Inner Ring Series



NA49...UU

NA69...UU

NA 6900UU Rubber Sealed w/Inner Ring Series



NA49...UU

NA69...UU

Shaft dia. mm	Identification number		Mass (Ref.) g	Boundary dimensions mm				rs min	Fw	Standard mounting dimensions (mm)			Basic dynamic load rating C N	Basic static load rating C0 N	Allowable rotational speed 2 rpm	Assembled in- ner ring
	With two seals	With one seal*		d	D	C	B			da Min	da Max	Da Max				
	25	NA 6905UU		NA 6905U	162	25	42			30	31	0.3				
28	NA 69/28 UU	NA 69/28U	175	28	45	30	31	0.3	32	30	31	43	41 800	64 800	6 000	LRT 283230
30	NA 6906UU	NA 6906U	185	30	47	30	31	0.3	35	32	34	45	40 100	63 000	5 500	LRTZ 303531
32	NA 69/32 UU	NA 6932U	295	32	52	36	37	0.6	40	36	39	48	53 500	95 700	5 000	LRT 324036
35	NA 6907UU	NA 6907U	320	35	55	36	37	0.6	42	39	41	51	51 600	92 600	4 500	LRTZ 354237
40	NA 6908UU	NA 6908U	440	40	62	40	41	0.6	48	44	47	58	63 700	117 000	4 000	LRTZ 404841
45	NA 6909UU	NA 6909U	520	45	68	40	41	0.6	52	49	51	64	66 600	127 000	3 500	LRTZ 455241
50	NA 6910UU	NA 6910U	530	50	72	40	41	0.6	58	54	57	68	70 800	142 000	3 500	LRTZ 505841
55	NA 6911UU	NA 6911U	730	55	80	45	46	1	63	60	61	75	89 400	171 000	3 000	LRTZ 556346
60	NA 6912UU	NA 6912U	785	60	85	45	46	1	68	65	66	80	93 400	186 000	3 000	LRTZ 606846
65	NA 6913UU	NA 6913U	845	65	90	45	46	1	72	70	70.5	85	97 400	200 000	2 500	LRTZ 657246
70	NA 6914UU	NA 6914U	1 400	70	100	54	55	1	80	75	78	95	124 000	281 000	2 500	LRTZ 708055
75	NA 6915UU	NA 6915U	1 480	75	105	54	55	1	85	80	83	100	128 000	299 000	2 000	LRTZ 758555
85	NA 6917UU	NA 6917U	2 360	85	120	63	64	1.1	100	91.5	98	113.5	168 000	448 000	1 900	LRTZ 8510064
90	NA 6918UU	NA 6918U	2 480	90	125	63	64	1.1	105	96.5	103	118.5	172 000	471 000	1 800	LRTZ 9010564

* Not a stocked range although available on request.