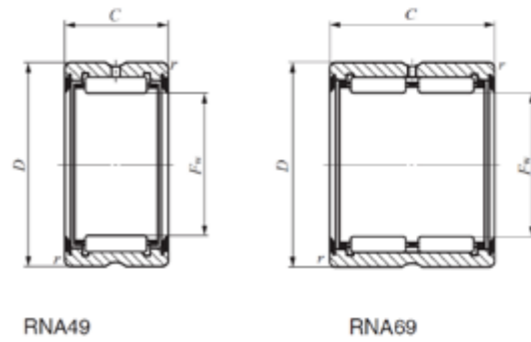
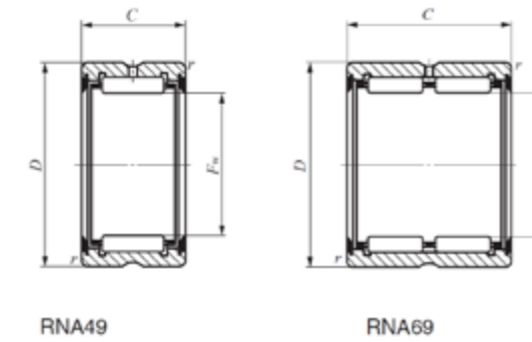


RNA w/o Inner Ring Series

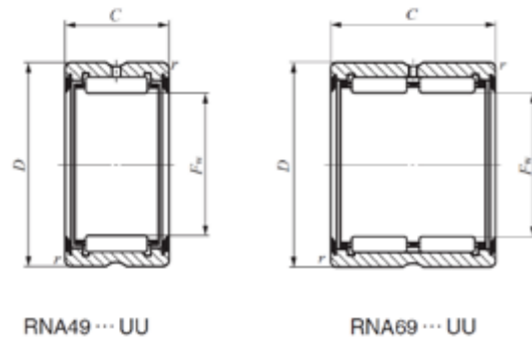


RNA w/o Inner Ring Series

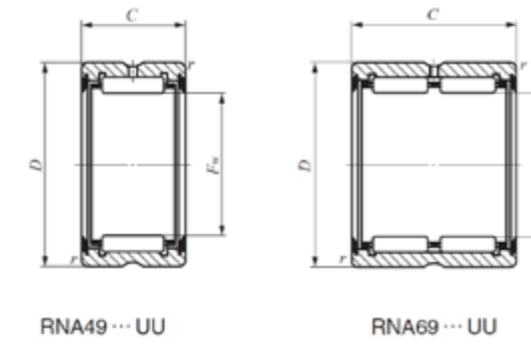


Shaft dia. mm	Identification number		Mass (Ref.) g	Boundary dimensions mm				Standard mounting dimension Da mm	Basic dynamic load rating C N	Basic static load rating CO N	Allowable rotational speed(2) rpm
	RNA 49	RNA 69		Fw	D	C	rs min (1)				
20	-	RNA 6902	37	20	28	23	0.3	26	19 300	28 800	20 000
	RNA 4902	-	21.5	20	28	13	0.3	26	10 900	13 800	20 000
22	RNA 4903	-	23.5	22	30	13	0.3	28	11 700	15 600	18 000
25	-	RNA 6904	95.5	25	37	30	0.3	35	35 400	48 900	16 000
	RNA 4904	-	55.5	25	37	17	0.3	35	21 000	25 000	16 000
30	-	RNA 6905	111	30	42	30	0.3	40	42 100	64 300	13 000
	RNA 4905	-	64	30	42	17	0.3	40	23 700	30 700	13 000
35	-	RNA 6906	125	35	47	30	0.3	45	43 000	69 000	11 000
	RNA 4906	-	72.5	35	47	17	0.3	45	25 200	34 700	11 000
80	-	RNA 6914	910	80	100	54	1	95	134 000	311 000	5 000

RNA UU Rubber Sealed Series



RNA UU Rubber Sealed Series



Shaft dia. mm.	RNA 49		Mass (Ref.) g	Boundary dimensions mm				Standard mounting dimension Da Max.mm	Basic dynamic load rating C N	Basic static load rating CO N	Allowable rotational speed(2) rpm
	With two seals	With one seal*		Fw	D	C	rs min(1)				
16	RNA 4901UU	RNA 4901U	17.9	16	24	13	0.3	22	8 470	9 320	12 000
20	RNA 4902UU	RNA 4902U	21.5	20	28	13	0.3	28	10 300	13 100	8 500
22	RNA 4903UU	RNA 4903U	23	22	30	13	0.3	26	9 570	11 600	9 500
25	RNA 4904UU	RNA 4904U	54.5	25	37	17	0.3	35	18 000	20 500	7 500
30	RNA 4905UU	RNA 4905U	63	30	42	17	0.3	40	20 300	25 100	6 500
35	RNA 4906UU	RNA 4906U	71	35	47	17	0.3	45	21 500	28 400	5 500
42	RNA 4907UU	RNA 4907U	112	45	58	20	0.6	54	31 600	50 400	4 000
48	RNA 4908UU	RNA 4908U	150	48	62	22	0.6	58	37 200	58 400	4 000
52	RNA 4909UU	RNA 4909U	197	52	68	22	0.6	64	38 900	63 400	3 500
58	RNA 4910UU	RNA 4910U	177	58	72	40	0.6	68	70 800	142 000	3 500
63	RNA 4911UU	RNA 4911U	265	63	80	25	1	75	52 200	85 700	3 000
68	RNA 4912UU	RNA 4912U	285	68	85	25	1	80	54 500	92 800	3 000
72	RNA 4913UU	RNA 4913U	325	72	90	25	1	85	56 800	99 800	2 500
80	RNA 4914UU	RNA 4914U	495	80	100	30	1	95	76 900	143 000	2 500

* Not a stocked range although available on request.

Shaft dia. mm.	RNA 69		Mass (Ref.) g	Boundary dimensions mm				Standard mounting dimension Da Max.mm	Basic dynamic load rating C N	Basic static load rating CO N	Allowable rotational speed(2) rpm
	With two seals	With one seal*		Fw	D	C	rs min(1)				
16	RNA 6901UU	RNA 6901U	30	16	24	22	0.3	22	15 500	20 400	12 000
20	RNA 6902UU	RNA 6902U	37.5	20	28	23	0.3	26	18 500	27 100	9 500
22	RNA 6903UU	RNA 6903U	40.5	22	30	23	0.3	28	19 800	30 600	8 500
25	RNA 6904UU	RNA 6904U	95.5	25	37	30	0.3	35	33 000	44 600	7 500
30	RNA 6905UU	RNA 6905U	111	30	42	30	0.3	40	39 200	58 700	6 500
35	RNA 6906UU	RNA 6906U	125	35	47	30	0.3	45	40 100	63 000	5 500
42	RNA 6907UU	RNA 6907U	200	42	55	36	0.6	51	51 600	92 600	4 500
48	RNA 6908UU	RNA 6908U	270	48	62	40	0.6	58	63 700	117 000	4 000
52	RNA 6909UU	RNA 6909U	355	52	68	40	0.6	64	66 600	127 000	3 500
58	RNA 6910UU	RNA 6910U	320	55	70	22	0.6	66	39 600	66 100	3 500
63	RNA 6911UU	RNA 6911U	470	63	80	45	1	75	89 400	171 000	3 000
68	RNA 6912UU	RNA 6912U	505	68	85	45	1	80	93 400	186 000	3 000
72	RNA 6913UU	RNA 6913U	580	72	90	45	1	85	97 400	200 000	2 500

* Not a stocked range although available on request.