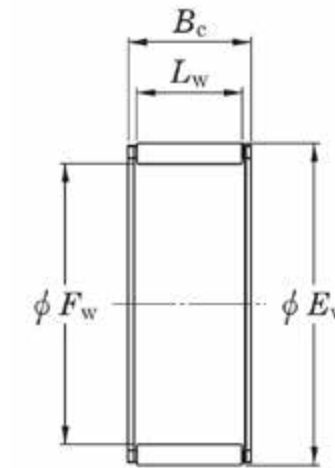
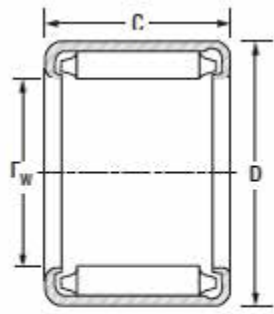


WJ, WJC

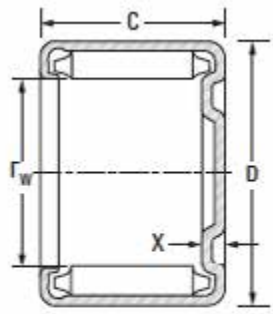


WJ, WJC

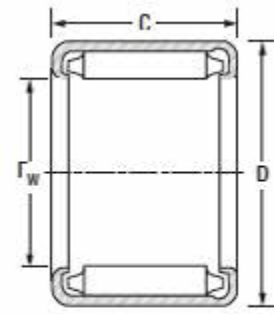
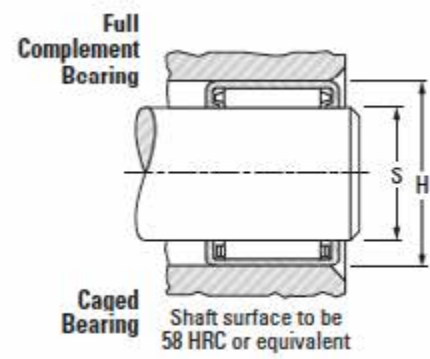
Shaft dia. in.	Boundary dimensions (mm)			Bearing No.	Basic load ratings(kN)		Fatigue load limit(kN) Cu	Limiting speeds(min-1)		Recommended dimensions (mm)				Mass(kg)
	Fw	Ew	Bc+0 -0.38		Cr	COr		Grease lub	Oil lub.	Shaft dia.		Housing bore dia.		
										max.	min.	max	min.	
3/4	19.05	25.4	25.4	WJ-121616	26.8	37.2	5.8	16 000	24 000	19.05	19.04	25.42	25.408	0.023
7/8	22.225	28.575	25.4	WJ-141816	29.2	43.5	6.75	13 000	20 000	22.225	22.215	28.595	28.583	0.026
1	25.4	33.338	19.05	WJ-162112	28.1	37.1	5.9	12 000	18 000	25.4	25.39	33.363	33.348	0.029
	25.4	33.338	25.4	WJ-162116	36.8	52.5	8.2	12 000	18 000	25.4	25.39	33.363	33.348	0.038
	25.4	33.338	31.75	WJ-162120	44.5	67.2	10.5	12 000	18 000	25.4	25.39	33.363	33.348	0.048
1 1/8	28.575	38.1	31.75	WJ-182420	52	74.7	11.7	10000	16000	28.575	28.565	38.125	38.11	0.065
	28.575	38.1	25.4	WJ-182416	42.4	57.8	9.05	10 000	16 000	28.575	28.565	38.125	38.11	0.041
1 1/4	31.75	41.275	19.05	WJ-202612	33.4	43.7	7.05	9 300	14 000	31.75	31.74	41.3	41.285	0.043
	31.75	41.275	25.4	WJ-202616	44.1	62.3	9.8	9 300	14 000	31.75	31.74	41.3	41.285	0.061
	31.75	41.275	38.1	WJ-202624	63.6	99.6	15.6	9 300	14 000	31.75	31.74	41.3	41.285	0.085
1 1/2	38.1	47.625	25.4	WJ-243016	47.2	71.6	11.3	7 600	12 000	38.1	38.09	47.65	47.635	0.078
	38.1	47.625	31.75	WJ-243020	57.8	93	14.5	7 600	12 000	38.1	38.09	47.65	47.635	0.083
	38.1	47.625	38.1	WJ-243024	68.1	114.8	18	7 600	12 000	38.1	38.09	47.65	47.635	0.1
1 3/4	44.45	53.975	19.05	WJ-283412	39.5	59.6	9.6	6 400	9 900	44.45	44.44	54.003	53.985	0.058
	44.45	53.975	25.4	WJ-283416	52	85	13.4	6 400	9 900	44.45	44.44	54.003	53.985	0.084
	44.45	53.975	38.1	WJ-283424	74.7	136	21.3	6 400	9 900	44.45	44.44	54.003	53.985	0.115
2	50.8	60.325	19.05	WJ-323812	42.8	69	11.1	5 600	8 600	50.8	50.787	60.353	60.335	0.065
	50.8	60.325	25.40	WJ-323816	56.5	98.0	15.5	5600	8600	50.800	50.787	60.353	60.335	0.105
	50.8	60.325	31.75	WJ-323820	69	127	20	5 600	8 600	50.8	50.787	60.353	60.335	0.108
	50.8	60.325	38.1	WJ-323824	81	157	24.6	5 600	8 600	50.8	50.787	60.353	60.335	0.13
2 1/8	53.975	63.5	25.4	WJ-344016	52.5	92.08	14.6	5 200	8 000	53.975	53.962	63.528	63.51	0.089
	53.975	63.5	38.1	WJ-344024	78.3	153	24	5 200	8 000	53.975	53.962	63.528	63.51	0.137
2 1/4	57.15	66.675	25.4	WJ-364216	53.8	96.08	15.2	4 900	7 500	57.15	57.137	66.703	66.685	0.096
2 1/2	63.5	73.025	25.4	WJ-404616	55.6	104	16.5	4 400	6 700	63.5	63.487	73.053	73.035	0.106
	63.5	73.025	38.1	WJ-404624	83.2	173	27.2	4 400	6 700	63.5	63.487	73.053	73.035	0.179
2 3/4	69.85	79.375	25.40	WJ-445016	57.8	112.54	17.8	4000	6100	69.850	69.837	79.403	79.385	0.116
3	76.2	85.725	25.4	WJ-485416	59.6	120.55	19.1	3 600	5 600	76.2	76.187	85.761	85.738	0.126
	76.2	85.725	38.10	WJ-485424	85.4	191.72	29.9	3600	5600	76.200	76.187	85.761	85.738	0.189



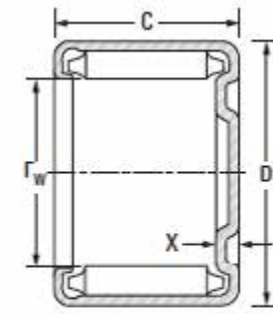
B, BH, NB, NBH



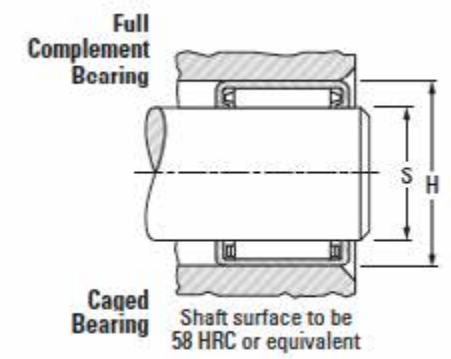
M-1, MH-1



B, BH, NB, NBH

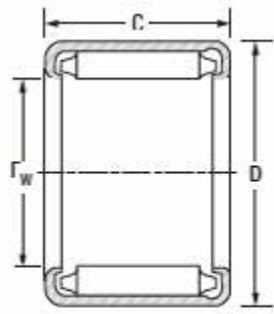


M-1, MH-1

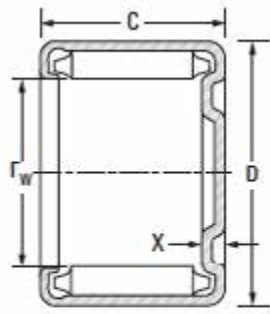


Shaft Dia.	Fw	D	C	X max.	Bearing Designation		Load Ratings		Fatigue Load Limit	Approx. Wt		Mounting Dimensions				Mounting inner ring
					Open Ends	Closed One End*	Dynamic	Static		Cu	Open Ends	Closed One End	Shaft		Housing	
in	mm	mm	mm	mm			C	CO	kN	kg	kg	Max.	Min.	Max.	Min.	
	in	in	in	in			kN	kN		lbs	lbs	in	in	in	in	
1/4	6.350	11.113	7.92	2.03	B-45	M-451	3.55	3.68	0.56	0.003	0.004	6.350	6.337	11.125	11.100	-
	0.2500	0.4375	0.312	0.080			800	830		0.007	0.008	0.2500	0.2495	0.4380	0.4370	-
	6.350	11.113	11.13	2.03	B-47	M-471	5.51	6.46	0.98	0.004	0.005	6.350	6.337	11.125	11.100	-
	0.2500	0.4375	0.438	0.080			1240	1450		0.009	0.011	0.2500	0.2495	0.4380	0.4370	-
5/16	7.938	12.700	7.92	2.03	B-55	M-551	4.08	4.60	0.70	0.004	0.004	7.938	7.925	12.713	12.687	-
	0.3125	0.5000	0.312	0.080			920	1030		0.008	0.009	0.3125	0.3120	0.5005	0.4995	-
	7.938	12.700	9.53	-	B-56	-	5.23	6.33	0.97	0.005	-	7.938	7.925	12.713	12.687	-
	0.3125	0.5000	0.375	-			1180	1420		0.010	-	0.3125	0.3120	0.5005	0.4995	-
	7.938	12.700	11.13	2.03	B-57	M-571	6.33	8.09	1.20	0.005	0.006	7.938	7.925	12.713	12.687	-
	0.3125	0.5000	0.438	0.080			1420	1820		0.011	0.013	0.3125	0.3120	0.5005	0.4995	-
3/8	9.525	14.288	15.88	2.03	B-610	M-6101	10.4	16.0	2.40	0.008	0.010	9.525	9.512	14.300	14.275	-
	0.3750	0.5625	0.625	0.080			2340	3590		0.018	0.021	0.3750	0.3745	0.5630	0.5620	-
	9.525	14.288	7.92	2.03	B-65	M-651	4.55	5.53	0.84	0.004	0.005	9.525	9.512	14.300	14.275	-
	0.3750	0.5625	0.312	0.080			1020	1240		0.009	0.010	0.3750	0.3745	0.5630	0.5620	-
	9.525	14.288	9.53	2.03	B-66	M-661	5.83	7.61	1.15	0.005	0.005	9.525	9.512	14.300	14.275	-
	0.3750	0.5625	0.375	0.080			1310	1710		0.011	0.012	0.3750	0.3745	0.5630	0.5620	-
	9.525	14.288	11.13	-	B-67	-	7.06	9.72	1.45	0.006	-	9.525	9.512	14.300	14.275	-
	0.3750	0.5625	0.438	-			1590	2190		0.013	-	0.3750	0.3745	0.5630	0.5620	-
	9.525	14.288	12.70	2.03	B-68	M-681	8.21	11.8	1.80	0.007	0.008	9.525	9.512	14.300	14.275	IRA-3
	0.3750	0.5625	0.500	0.080			1850	2650		0.015	0.017	0.3750	0.3745	0.5630	0.5620	IRA-3
	9.525	14.288	14.27	-	B-69	-	9.33	13.9	2.10	0.007	-	9.525	9.512	14.300	14.275	-
	0.3750	0.5625	0.562	-			2100	3130		0.016	-	0.3750	0.3745	0.5630	0.5620	-
7/16	11.113	15.875	15.88	-	B-710	-	11.4	18.7	2.80	0.010	-	11.113	11.100	15.888	15.862	-
	0.4375	0.6250	0.625	-			2560	4200		0.021	-	0.4375	0.4370	0.6255	0.6245	-
	11.113	15.875	9.53	-	B-76	-	6.37	8.88	1.35	0.005	-	11.113	11.100	15.888	15.862	IRA-4
	0.4375	0.6250	0.375	-			1430	2000		0.012	-	0.4375	0.4370	0.6255	0.6245	IRA-4
	11.113	15.875	12.70	2.03	B-78	M-781	8.97	13.8	2.10	0.008	0.009	11.113	11.100	15.888	15.862	IRA-4
	0.4375	0.6250	0.500	0.080			2020	3100		0.017	0.019	0.4375	0.4370	0.6255	0.6245	IRA-4

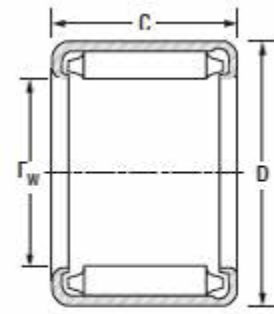
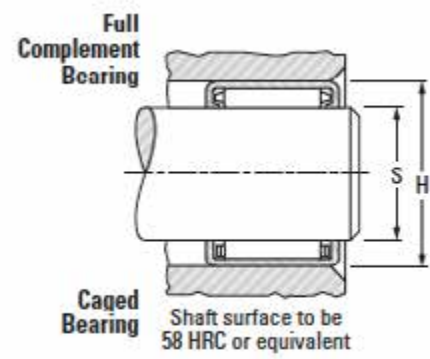
* Not a stocked range although available on request.



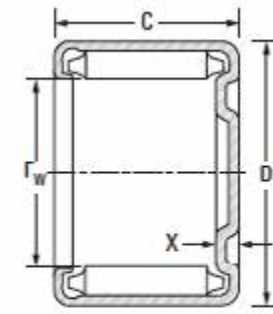
B, BH, NB, NBH



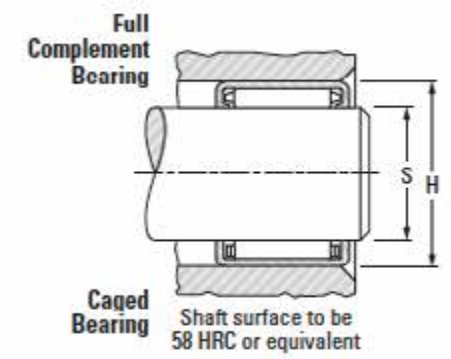
M-1, MH-1



B, BH, NB, NBH

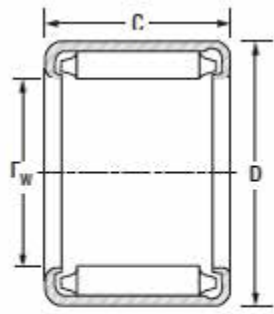


M-1, MH-1

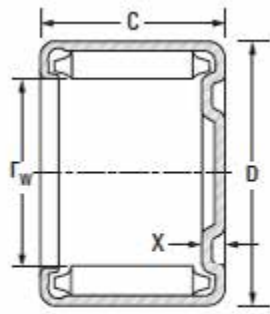


Shaft Dia.	Fw	D	C	X max.	Bearing Designation		Load Ratings		Fatigue Load Limit	Approx. Wt		Mounting Dimensions				Mounting inner ring	
					Open Ends	Closed One End*	Dynamic	Static		Cu	Open Ends	Closed One End	Shaft		Housing		
							C	CO					Max.	Min.	Max.		Min.
in	mm in	mm in	mm in	mm in			kN lbf	kN lbf	kN	kg lbs	kg lbs	mm in	mm in	mm in	mm in		
1/2	12.700	17.463	15.88	2.03	B-810	M-8101	12.2	21.3	3.20	0.010	0.012	12.70	12.687	17.475	17.450	-	
	0.5000	0.6875	0.625	0.080			2750	4800		0.023	0.026	0.5000	0.4995	0.6880	0.6870		
	12.700	17.463	19.05	2.03	B-812	M-8121	14.7	26.9	4.20	0.013	0.014	12.700	12.687	17.475	17.450	-	
	0.5000	0.6875	0.750	0.080			3300	6050		0.028	0.031	0.5000	0.4995	0.6880	0.6870		
	12.700	17.463	7.92	2.03	B-85	M-851	5.36	7.38	1.15	0.005	0.006	12.700	12.687	17.475	17.450	IRA-5	
	0.5000	0.6875	0.312	0.080			1200	1660		0.012	0.014	0.5000	0.4995	0.6880	0.6870		
	12.700	17.463	9.53	2.03	B-86	M-861	6.87	10.2	1.55	0.006	0.007	12.700	12.687	17.475	17.450	IRA-5	
	0.5000	0.6875	0.375	0.080			1540	2290		0.014	0.016	0.5000	0.4995	0.6880	0.6870		
	12.700	17.463	11.13	2.03	B-87	M-871	8.31	13.0	1.95	0.007	0.008	12.700	12.687	17.475	17.450	IRA-5	
	0.5000	0.6875	0.438	0.080			1870	2920		0.016	0.018	0.5000	0.4995	0.6880	0.6870		
12.700	17.463	12.70	2.03	B-88	-	9.63	15.7	2.40	0.009	0.010	12.700	12.687	17.475	17.450	IRA-5		
0.5000	0.6875	0.500	0.080			2160	3530		0.019	0.021	0.5000	0.4995	0.6880	0.6870			
9/16	14.288	19.050	15.88	2.03	B-910	M-9101	13.1	24.0	3.60	0.012	0.013	14.288	14.275	19.063	19.037	IR-612(1)	
	0.5625	0.7500	0.625	0.080			2940	5400		0.026	0.029	0.5625	0.5620	0.7505	0.7495		
	14.288	19.050	19.05	2.03	B-912	M-9121	15.6	30.3	4.70	0.014	0.015	14.288	14.275	19.063	19.037	IR-612(1)	
	0.5625	0.7500	0.750	0.080			3510	6820		0.031	0.034	0.5625	0.5620	0.7505	0.7495		
	14.288	19.050	7.92	2.03	B-95	M-951	5.72	8.31	1.25	0.006	0.006	14.288	14.275	19.063	19.037	IR-68	
	0.5625	0.7500	0.312	0.080			1290	1870		0.013	0.014	0.5625	0.5620	0.7505	0.7495		
	14.288	19.050	9.53	2.03	B-96	M-961	7.33	11.4	1.75	0.007	0.008	14.288	14.275	19.063	19.037	IR-68	
	0.5625	0.7500	0.375	0.080			1650	2570		0.015	0.018	0.5625	0.5620	0.7505	0.7495		
	14.288	19.050	12.70	2.03	B-98	M-981	10.3	17.7	2.70	0.009	0.010	14.288	14.275	19.063	19.037	IR-68	
0.5625	0.7500	0.500	0.080	2320			3990	0.020		0.023	0.5625	0.5620	0.7505	0.7495			

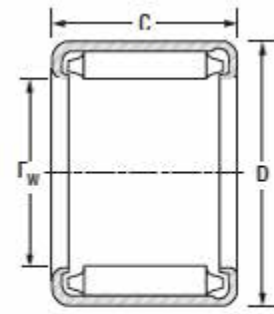
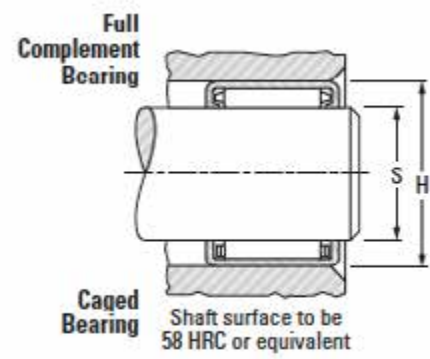
* Not a stocked range although available on request.



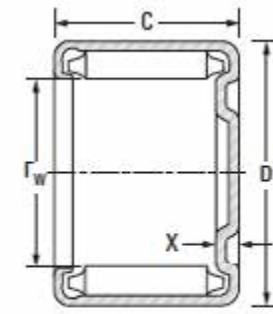
B, BH, NB, NBH



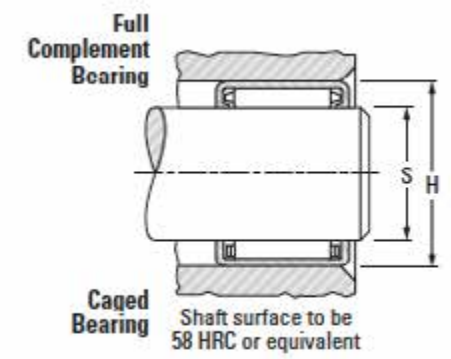
M-1, MH-1



B, BH, NB, NBH

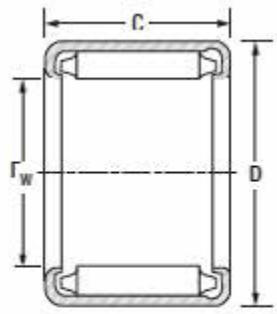


M-1, MH-1

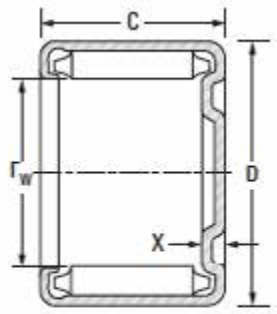


Shaft Dia.	Fw	D	C	X max.	Bearing Designation		Load Ratings		Fatigue Load Limit	Approx. Wt		Mounting Dimensions				Mounting inner ring
					Open Ends	Closed One End*	Dynamic	Static		Open Ends	Closed One End	Shaft		Housing		
							C	CO				Max.	Min.	Max.	Min.	
in	mm	mm	mm	mm			kN	kN		kg	kg	mm	mm	mm	mm	
	in	in	in	in					kN	lbs	lbs	in	in	in	in	
5/8	15.875	20.638	15.88	2.03	B-1010	M-10101	13.8	26.7	4	0.013	0.015	15.875	15.862	20.650	20.625	IR-612-1
	0.6250	0.8125	0.625	0.080			3110	6000		0.028	0.032	0.625	0.6245	0.813	0.812	
	15.875	20.638	19.05	2.03	B-1012	M-10121	16.6	33.7	5.25	0.015	0.017	15.875	15.862	20.650	20.625	IR-612-1
	0.6250	0.8125	0.750	0.080			3720	7580		0.034	0.038	0.6250	0.6245	0.8130	0.8120	
	15.875	20.638	7.92	2.03	B-105	M-1051	6.05	9.24	1.40	0.006	0.007	15.875	15.862	20.650	20.625	IR-68-1
	0.6250	0.8125	0.312	0.080			1360	2080		0.014	0.016	0.6250	0.6245	0.8130	0.8120	
	15.875	20.638	11.13	2.03	B-107	M-1071	9.39	16.2	2.45	0.009	0.010	15.875	15.862	20.650	20.625	IR-68-1
	0.6250	0.8125	0.438	0.080			2110	3650		0.020	0.022	0.6250	0.6245	0.8130	0.8120	
	15.875	20.638	12.70	2.03	B-108	M-1081	10.9	19.7	3	0.010	0.012	15.875	15.862	20.650	20.625	IR-68-1
0.6250	0.8125	0.500	0.080	2450			4430	0.022		0.026	0.6250	0.6245	0.8130	0.8120		
11/16	17.463	22.212	15.88	2.03	B-1110	M-11101	14.6	29.4	4.40	0.014	0.015	17.463	17.450	22.238	22.212	-
	0.6875	0.8745	0.625	0.080			3270	6610		0.030	0.034	0.6875	0.6870	0.8755	0.8745	
	17.463	22.212	19.05	2.03	B-1112	M-11121	17.4	37.1	5.75	0.016	0.019	17.463	17.450	22.238	22.212	-
	0.6875	0.8745	0.750	0.080			3920	8340		0.036	0.041	0.6875	0.6870	0.8755	0.8745	
	17.463	22.212	9.53	2.03	B-116	M-1161	8.17	14.0	2.15	0.008	0.009	17.463	17.450	22.238	22.212	-
	0.6875	0.8745	0.375	0.080			1840	3140		0.018	0.020	0.6875	0.6870	0.8755	0.8745	
	17.463	22.212	12.70	2.03	B-118	M-1181	11.5	21.7	3.30	0.011	0.012	17.463	17.450	22.238	22.212	-
	0.6875	0.8745	0.500	0.080			2580	4880		0.024	0.027	0.6875	0.6870	0.8755	0.8745	

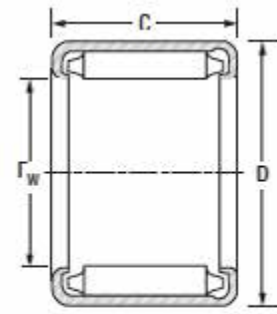
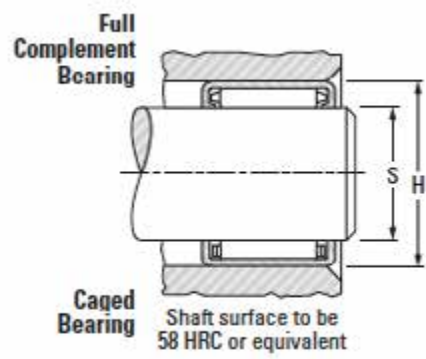
* Not a stocked range although available on request.



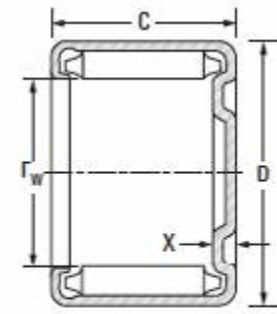
B, BH, NB, NBH



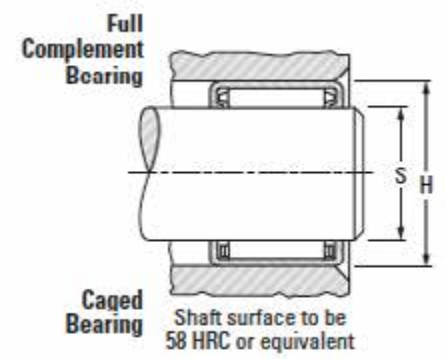
M-1, MH-1



B, BH, NB, NBH

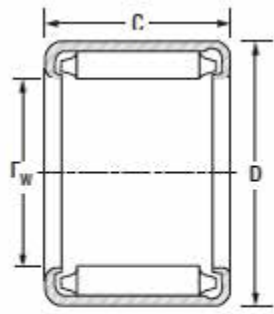


M-1, MH-1

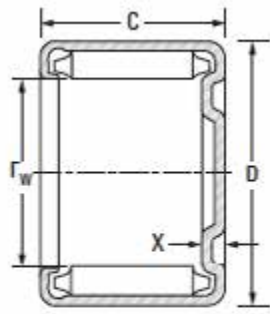


Shaft Dia.	Fw	D	C	X max.	Bearing Designation		Load Ratings		Fatigue Load Limit	Approx. Wt		Mounting Dimensions				Mounting inner ring	
					Open Ends	Closed One End*	Dynamic	Static		Cu	Open Ends	Closed One End	Shaft		Housing		
							C	CO					Max.	Min.	Max.		Min.
in	mm	mm	mm	mm			kN	kN	kN	kg	kg	mm	mm	mm	mm		
	in	in	in	in			lbf	lbf		lbs	lbs	in	in	in	in		
3/4	19.050	25.400	15.88	2.29	B-1210	M-12101	18.1	30.4	4.60	0.020	0.024	19.050	19.037	25.413	25.387		
	0.7500	1.0000	0.625				0.090	4070		6830	0.024	0.024	0.045	0.052	0.7500	0.7495	
	19.050	25.400	19.05	0.090	B-1212	M-12121	21.9	38.7	5.95	0.024	0.028	19.050	19.037	25.413	25.387		
	0.7500	1.0000	0.750				4930	8710		0.054	0.062	0.7500	0.7495	1.0005	0.9995		
	19.050	25.400	9.53	0.090	B-126	M-1261	9.70	13.6	2.10	0.012	0.014	19.050	19.037	25.413	25.387		
	0.7500	1.0000	0.375				2180	3050		0.027	0.031	0.7500	0.7495	1.0005	0.9995		
	19.050	25.400	12.70	0.090	B-128	M-1281	14.1	22.0	3.30	0.016	0.019	19.050	19.037	25.413	25.387		
0.7500	1.0000	0.500	3170				4940	0.036		0.041	0.7500	0.7495	1.0005	0.9995			
13/16	20.638	26.988	22.23	0.090	B-1314	M-13141	26.7	51.1	7.90	0.031	0.035	20.638	20.625	27.000	26.975		
	0.8125	1.0625	0.875				6010	11490		0.068	0.077	0.8125	0.8120	1.0630	1.0620		
	20.638	26.988	25.40	-	B-1316	M-13161	30.3	60.2	9.25	0.035	0.040	20.638	20.625	27.000	26.975		
	0.8125	1.0625	1.000				6820	13530		0.078	0.088	0.8125	0.8120	1.0630	1.0620		
	20.635	26.988	9.53	-	B-136	-	10.1	14.7	2.25	0.013	-	20.638	20.625	27.000	26.975		
	0.8125	1.0625	0.375				2280	3300		0.029	-	0.8125	0.8120	1.0630	1.0620		
	20.638	26.988	12.70	0.090	B-138	M-1381	14.7	23.8	3.60	0.018	0.020	20.638	20.625	27.000	26.975		
	0.8125	1.0625	0.500				3300	5350		0.039	0.044	0.8125	0.8120	1.0630	1.0620		
7/8	22.225	28.575	19.05	0.090	B-1412	M-14121	23.9	45.2	6.95	0.028	0.032	22.225	22.212	28.588	28.562		
	0.8750	1.1250	0.750				5370	10160		0.062	0.070	0.8750	0.8745	1.1255	1.1245		
	22.225	28.575	25.40	-	B-1416	M-14161	31.6	64.8	10.0	0.038	0.043	22.225	22.212	28.588	28.562		
	0.8750	1.1250	1.000				7100	14570		0.083	0.094	0.8750	0.8745	1.1255	1.1245		
	22.225	28.575	28.58	-	B-1418	-	35.2	74.6	11.4	0.043	-	22.225	22.212	28.588	28.562		
	0.8750	1.1250	1.125				7920	16770		0.094	-	0.8750	0.8745	1.1255	1.1245		
	22.225	28.575	9.53	0.090	B-146	M-1461	10.6	15.8	2.45	0.014	0.016	22.225	22.212	28.588	28.562		
	0.8750	1.1250	0.375				2380	3560		0.031	0.035	0.8750	0.8745	1.1255	1.1245		
	22.225	28.575	12.70	0.090	B-148	M-1481	15.4	25.6	3.85	0.019	0.022	22.225	22.212	28.588	28.562		
	0.8750	1.1250	0.500				3450	5760		0.042	0.048	0.8750	0.8745	1.1255	1.1245		

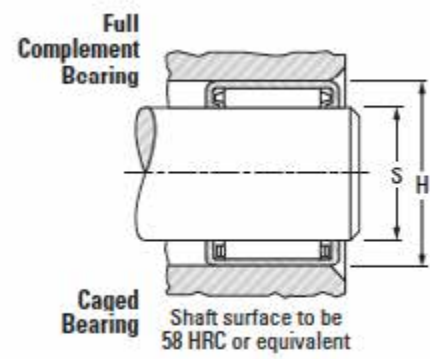
* Not a stocked range although available on request.



B, BH, NB, NBH

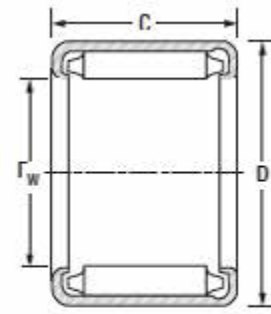


M-1, MH-1

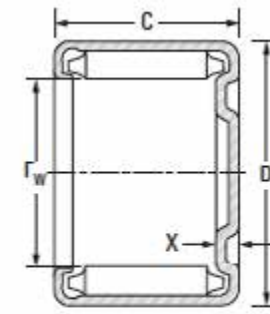


Caged Bearing

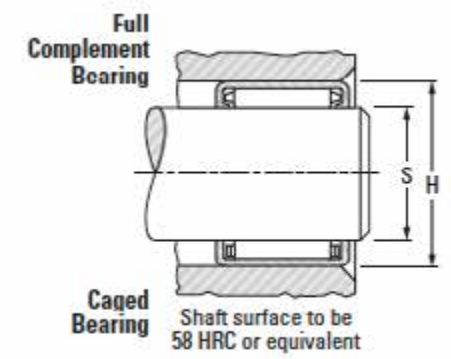
Shaft surface to be 58 HRC or equivalent



B, BH, NB, NBH



M-1, MH-1

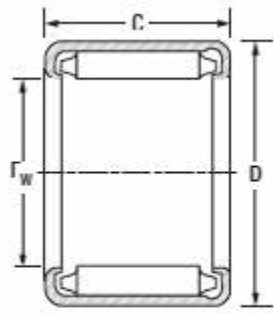


Caged Bearing

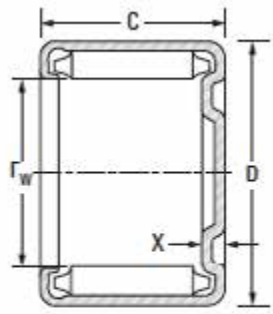
Shaft surface to be 58 HRC or equivalent

Shaft Dia.	Fw	D	C	X max.	Bearing Designation		Load Ratings		Fatigue Load Limit	Approx. Wt		Mounting Dimensions				Mounting inner ring
					Open Ends	Closed One End*	Dynamic	Static		Open Ends	Closed One End	Shaft		Housing		
							C	CO				Max.	Min.	Max.	Min.	
in	mm	mm	mm	mm			kN	kN	Cu	kg	kg	mm	mm	mm	mm	
15/16	23.813	30.163	25.40	2.29	B-1516	M-15161	32.8	69.5	10.7	0.040	0.045	23.813	23.800	30.175	30.150	
	0.9375	1.1875	1.000	0.090			7370	15620		0.088	0.100	0.9375	0.9370	1.1880	1.1870	
1	25.400	31.750	15.88	2.29	B-1610	M-16101	21.2	40.5	6.15	0.026	0.030	25.400	25.387	31.763	31.737	
	1.0000	1.2500	0.625	0.090			4770	9110		0.058	0.066	1.0000	0.9995	1.2505	1.2495	
	25.400	31.750	19.05	2.29	B-1612	M-16121	25.7	51.7	7.95	0.032	0.036	25.400	25.87	31.763	31.737	
	1.0000	1.2500	0.750	0.090			5770	11620		0.070	0.080	1.0000	0.9995	1.2505	1.2495	
	25.400	31.750	25.40	2.29	B-1616	M-16161	34.0	74.1	11.4	0.043	0.048	25.400	25.387	31.763	31.737	
	1.0000	1.2500	1.000	0.090			7640	16660		0.094	0.106	1.0000	0.9995	1.2505	1.2495	
	25.400	31.750	9.53	-	B-166	-	11.3	18.1	2.80	0.016	-	25.400	25.387	31.763	31.737	
	1.0000	1.2500	0.375	-			2550	4070		0.035	-	1.0000	0.9995	1.2505	1.2495	
	25.400	31.750	11.13	2.29	B-167	M-1671	14.0	23.7	3.60	0.019	0.021	25.400	25.387	31.763	31.737	
	1.0000	1.2500	0.438	0.090			3140	5320		0.041	0.046	1.0000	0.9995	1.2505	1.2495	
25.400	31.750	12.70	2.29	B-168	M-1681	16.5	29.3	4.45	0.021	0.024	25.400	25.387	31.763	31.737		
1.0000	1.2500	0.5000	0.090			3710	6590		0.047	0.053	1.0000	0.9995	1.2505	1.2495		
1 1/16	26.988	33.338	15.88	2.29	B-1710	M-17101	21.9	43.1	6.55	0.028	0.32	26.988	26.975	33.350	33.325	
	1.0625	1.3125	0.625	0.090			4930	9680		0.062	0.070	1.0625	1.0620	1.3130	1.3120	
1 1/8	28.575	34.925	19.05	2.29	B-1812	M-18121	27.3	58.2	8.90	0.035	0.040	28.575	28.562	34.938	34.912	
	1.1250	1.3750	0.750	0.090			6140	13080		0.078	0.088	1.1250	1.1245	1.3755	1.3745	
	28.575	34.925	25.40	2.29	B-1816	M-18161	36.1	83.4	12.8	0.047	0.054	28.575	28.562	34.938	34.912	
	1.1250	1.3750	1.000	0.090			8120	18750		0.104	0.118	1.1250	1.1245	1.3755	1.3745	
	28.575	34.925	9.53	2.29	B-186	M-1861	12.1	20.4	3.10	0.018	0.020	28.575	28.562	34.938	34.912	
	1.1250	1.3750	0.375	0.090			2720	4580		0.039	0.044	1.1250	1.1245	1.3755	1.3745	
	28.575	34.925	12.70	2.29	B-188	M-1881	17.6	33.0	4.95	0.024	0.027	28.575	28.562	34.938	34.912	
1.1250	1.3750	0.500	0.090	3950			7420	0.052		0.059	1.1250	1.1245	1.3755	1.3745		
1 3/16	30.163	38.100	25.40	-	B-1916	-	39.9	83.7	13.0	0.064	-	30.163	30.150	38.113	38.087	
	1.1875	1.500	1.000	-			8970	18820		0.140	-	1.1875	1.1870	1.5005	1.4995	

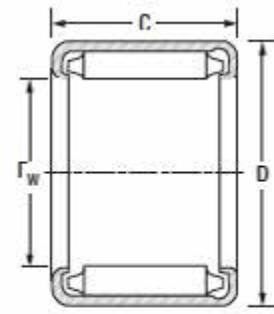
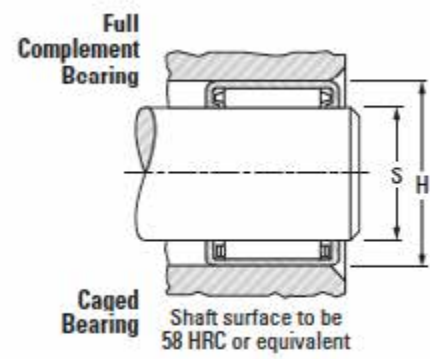
* Not a stocked range although available on request.



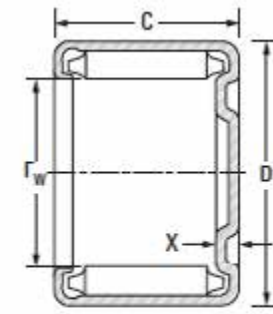
B, BH, NB, NBH



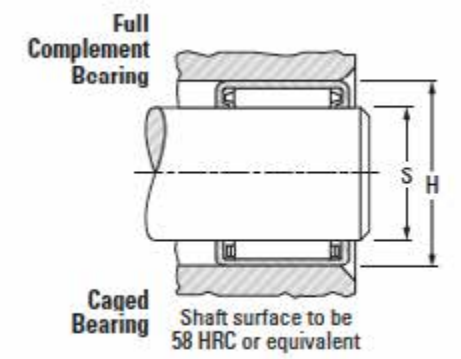
M-1, MH-1



B, BH, NB, NBH

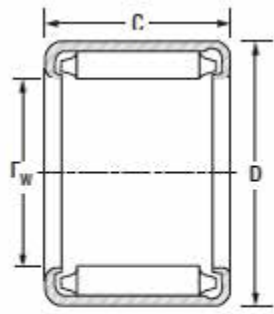


M-1, MH-1

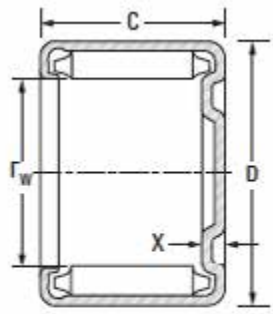


Shaft Dia.	Fw	D	C	X max.	Bearing Designation		Load Ratings		Fatigue Load Limit	Approx. Wt		Mounting Dimensions				Mounting inner ring	
					Open Ends	Closed One End*	Dynamic	Static		Cu	Open Ends	Closed One End	Shaft		Housing		
							C	CO					Max.	Min.	Max.		Min.
in	mm	mm	mm	mm			kN	kN	kN	kg	kg	mm	mm	mm	mm		
	in	in	in	in			lbf	lbf		lbs	lbs	in	in	in	in		
1 1/4	31.750	38.100	15.88	2.29	B-2010	M-20101	23.9	50.7	7.70	0.032	0.044	31.750	31.737	38.113	38.087	IR-1612	
	1.2500	1.5000	0.625	0.090			5370	11400		0.071	0.097	1.2500	1.2495	1.5005	1.4995		
	31.750	38.100	19.05	2.29	B-2012	M-20121	28.9	64.7	9.90	0.039	0.045	31.750	31.737	38.113	38.087	IR-1612	
	1.2500	1.5000	0.750	0.090			6490	14540		0.086	0.099	1.2500	1.2495	1.5005	1.4995		
	31.750	38.100	25.40	2.29	B-2016	M-20161	38.2	92.7	14.2	0.052	0.059	31.750	31.737	38.113	38.087	IR-1616(1)	
	1.2500	1.5000	1.000	0.090			8590	20840		0.114	0.130	1.2500	1.2495	1.5005	1.4995		
	31.750	38.100	31.75	2.29	B-2020	M-20201	46.9	121	18.4	0.065	0.073	31.750	31.737	38.113	38.087	-	
	1.2500	1.5000	1.250	0.090			10540	27200		0.143	0.162	1.2500	1.2495	1.5005	1.4995		
	31.750	38.100	12.70	2.29	B-208	M-2081	18.6	36.7	5.50	0.026	0.029	31.750	31.737	38.113	38.087	IR-1612	
1.2500	1.5000	0.500	0.090	4170			8250	0.057		0.065	1.2500	1.2495	1.5005	1.4995			
1 5/16	33.338	41.275	15.88	2.79	B-2110	M-21101	25.5	48.4	7.25	0.043	0.049	33.338	33.325	41.288	41.262	-	
	1.3125	1.6250	0.625	0.110			5740	10880		0.095	0.108	1.3125	1.3120	1.6255	1.6245		
	33.338	41.275	12.70	2.79	B-218	M-2181	19.3	33.7	5.00	0.034	0.039	33.338	33.325	41.288	41.262	-	
	1.3125	1.6250	0.500	0.110			4330	7570		0.076	0.086	1.3125	1.3120	1.6255	1.6245		
1 3/8	34.925	41.275	19.05	2.29	B-2212	M-22121	30.4	71.2	10.9	0.043	0.049	34.925	34.912	41.288	41.262	IR-1812	
	1.3750	1.6250	0.750	0.090			6830	16000		0.094	0.107	1.3750	1.3745	1.6255	1.6245		
	34.925	41.275	25.40	2.29	B-2216	M-22161	40.2	102	15.7	0.057	0.064	34.925	34.912	41.288	41.262	IR-1816	
	1.3750	1.6250	1.000	0.090			9030	22900		0.125	0.142	1.3750	1.3745	1.6255	1.6245		
	34.925	41.275	31.75	2.29	B-2220	M-22201	49.3	133	20.3	0.071	0.080	34.925	34.912	41.288	41.262	IR-1820	
	1.3750	1.6250	1.250	0.090			11080	29900		0.156	0.177	1.3750	1.3745	1.6255	1.6245		
	34.925	41.275	12.70	2.29	B-228	M-2281	19.5	40.3	6.05	0.028	0.032	34.925	34.912	41.288	41.262	IR-1812	
	1.3750	1.6250	0.500	0.090			4390	9060		0.062	0.070	1.3750	1.3745	1.6255	1.6245		

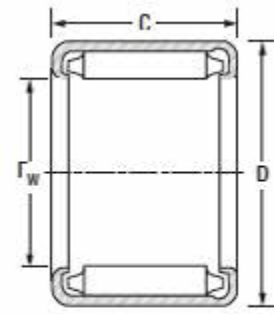
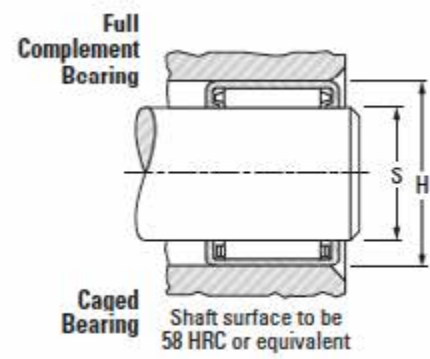
* Not a stocked range although available on request.



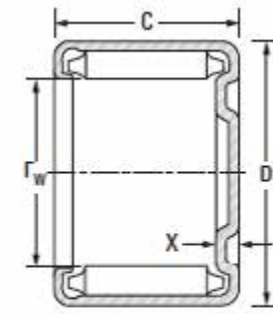
B, BH, NB, NBH



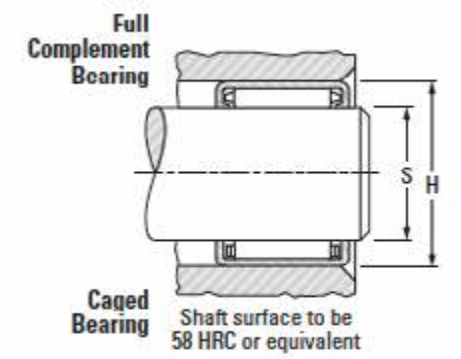
M-1, MH-1



B, BH, NB, NBH



M-1, MH-1



Shaft Dia.	Fw	D	C	X max.	Bearing Designation		Load Ratings		Fatigue Load Limit	Approx. Wt		Mounting Dimensions				Mounting inner ring	
					Open Ends	Closed One End*	Dynamic	Static		Cu	Open Ends	Closed One End	Shaft		Housing		
							C	CO					Max.	Min.	Max.		Min.
in	mm	mm	mm	mm			kN	kN		kg	kg	mm	mm	mm	mm		
	in	in	in	in			lbf	lbf		lbs	lbs	in	in	in	in		
1 1/2	38.100	47.625	12.70	3.05	B-248	M-2481	22.3	37.1	5.60	0.048	0.054	38.100	38.087	47.638	47.612	IR-1916	
	1.5000	1.8750	0.500	0.120			5020	8340		0.105	0.119	1.5000	1.4995	1.8755	1.8745		
	38.100	47.625	15.88	3.05	B-2410	M-24101	29.9	53.9	8.10	0.060	0.068	38.100	38.087	47.638	47.612	IR-1916	
	1.500	1.8750	0.625	0.120			6720	12120		0.132	0.150	1.5000	1.4995	1.8755	1.8745		
	38.100	47.625	19.05	3.05	B-2412	M-24121	36.9	70.7	11.1	0.072	0.081	38.100	38.087	47.638	47.612	IR-1916	
	1.5000	1.8750	0.750	0.120			8290	15900		0.158	0.179	1.5000	1.4995	1.8755	1.8745		
	38.100	47.625	22.23	3.05	B-2414	M-24141	43.5	87.5	13.6	0.083	0.095	38.100	38.087	47.638	47.612	IR-916	
	1.5000	1.8750	0.875	0.120			9780	19670		0.184	0.209	1.5000	1.4995	1.8755	1.8745		
	38.100	47.625	25.40	3.05	B-2416	M-24161	49.7	104	16.1	0.096	0.108	38.100	38.087	47.638	47.612	IR-1916	
	1.5000	1.8750	1.000	0.120			11170	23380		0.211	0.239	1.5000	1.4995	1.8755	1.8745		
	38.100	47.625	31.75	3.05	B-2420	m-24201	62.0	138	21.2	0.119	0.135	38.100	38.087	47.638	47.612	IR-1920	
	1.5000	1.8750	1.250	0.120			13940	31000		0.263	0.298	1.5000	1.4995	1.8755	1.8745		
38.100	47.625	12.70	3.05	B-248	M-2481	22.3	37.1	5.60	0.048	0.054	38.100	38.087	47.638	47.612	IR-916		
1.5000	1.8750	0.500	0.120			5020	8340		0.105	0.119	1.5000	1.4995	1.8775	1.8745			
1 5/8	41.275	50.800	15.88	3.05	B-2610	M-26101	30.6	57.4	8.60	0.064	0.073	41.275	41.262	50.813	50.787	IR-2020	
	1.6250	2.000	0.625	0.120			6890	12900		0.141	0.460	1.6250	1.6245	2.0005	1.9995		
	41.275	50.800	25.40	-	B-2616	-	51.4	112	17.4	0.103	-	41.275	41.262	50.813	50.787	IR-2020	
	1.6250	2.0000	1.000	-			11550	25200		0.226	-	1.6250	1.6245	2.0005	1.9995		
	41.275	50.800	31.75	3.05	B-2620	M-26201	64.0	148	22.9	0.128	0.145	41.275	41.262	50.813	50.787	IR-2020 (1)	
	1.6250	2.0000	1.250	0.120			14400	33270		0.282	0.320	1.6250	1.6245	2.0005	1.9995		
	41.275	50.800	12.70	-	B-268	-	22.7	39.2	5.85	0.051	-	41.275	41.262	50.813	50.787	IR-2020 (1)	
1.6250	2.0000	0.500	-	5100			8820	0.113		-	1.6250	1.6245	2.0005	1.9995			

* Not a stocked range although available on request.

Needle Roller Bearings Shell Type (Full Complement) B Imperial Series

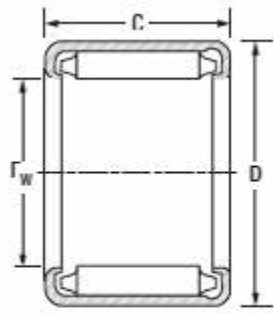


Finer Power Transmissions P/L | www.finerpt.com

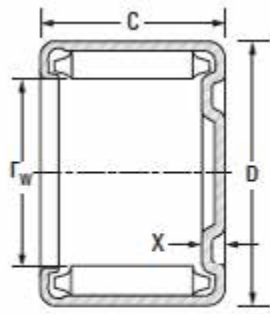


Finer Power Transmissions P/L | www.finerpt.com

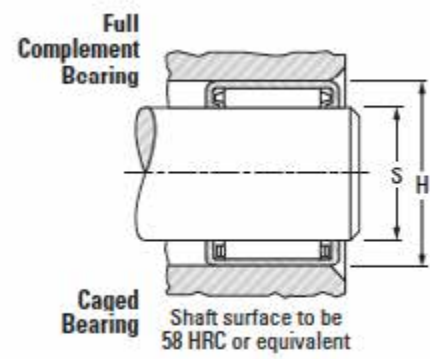
Needle Roller Bearings Shell Type (Full Complement) B Imperial Series



B, BH, NB, NBH

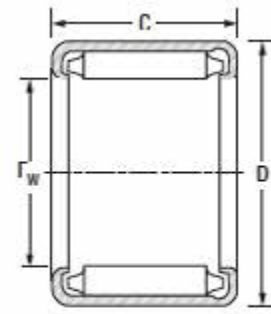


M-1, MH-1

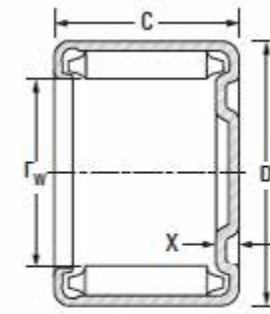


Caged Bearing

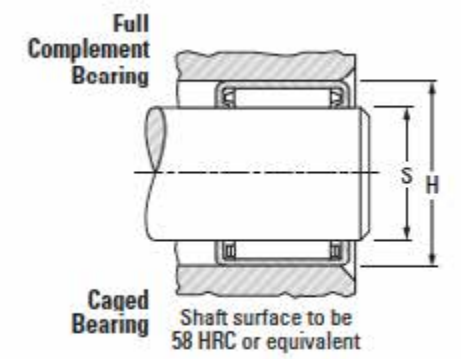
Shaft surface to be 58 HRC or equivalent



B, BH, NB, NBH



M-1, MH-1

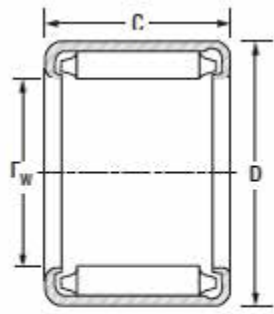


Caged Bearing

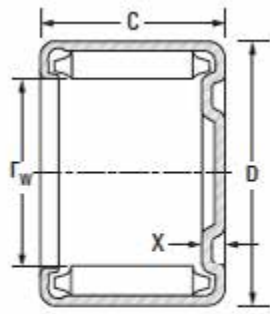
Shaft surface to be 58 HRC or equivalent

Shaft Dia.	Fw	D	C	X max.	Bearing Designation		Load Ratings		Fatigue Load Limit	Approx. Wt		Mounting Dimensions				Mounting inner ring	
					Open Ends	Closed One End*	Dynamic	Static		Cu	Open Ends	Closed One End	Shaft		Housing		
							C	CO					Max.	Min.	Max.		Min.
in	mm	mm	mm	mm			kN	kN	kN	kg	kg	mm	mm	mm	mm		
	in	in	in	in			lbf	lbf		lbs	lbs	in	in	in	in		
1 3/4	44.450	53.975	19.05	3.05	B-2812	M-28121	39.3	81.5	12.8	0.082	0.093	44.450	44.437	53.988	53.962	IR-2316	
	1.7500	2.1250	0.750	0.120			8830	18320		0.181	0.205	1.7500	1.7495	2.1255	2.1245		
	44.450	53.975	25.40	3.05	B-2816	M-28161	53.3	121	18.8	0.110	0.124	44.450	44.437	53.988	53.962	IR-2316	
	1.7500	2.1250	1.000	0.120			11980	27100		0.242	0.274	1.7500	1.7495	2.1255	2.1245		
	44.450	53.975	31.75	-	B-2820	-	66.4	160	24.7	0.137	-	44.450	44.437	53.988	53.962	IR-2324	
	1.7500	2.1250	1.250	-			14930	36000		0.302	-	1.7500	1.7495	2.1255	2.1245		
	44.450	53.975	38.10	3.05	B-2824	M-26241	78.7	199	30.5	0.165	0.186	44.450	44.437	53.988	53.962	IR-2324	
1.7500	2.1250	1.500	0.120	17700			44800	0.363		0.411	1.7500	1.7495	2.1255	2.1245			
1 7/8	47.625	57.150	19.05	-	B-3012	-	41.5	88.4	13.9	0.088	-	47.625	47.612	57.163	57.137	-	
	1.8750	2.2500	0.750	-			9330	19870		0.193	-	1.8750	1.8745	2.2505	2.2495		
	47.625	57.150	25.40	3.05	B-3016	M-30161	56.0	130	20.1	0.117	0.132	47.625	47.612	57.163	57.137	-	
	1.8750	2.2500	1.000	0.120			12600	29200		0.258	0.292	1.8750	1.8745	2.2505	2.2495		
	47.625	57.150	12.70	3.05	B-308	M-3081	25.1	46.4	7.00	0.059	0.066	47.625	47.612	57.163	57.137	-	
	1.8750	2.2500	0.500	0.120			5650	10430		0.129	0.146	1.8750	1.8745	2.2505	2.2495		
2	50.800	60.325	22.23	-	B-3214	-	50.1	116	18.0	0.108	-	50.800	50.785	60.338	60.312	-	
	2.0000	2.3750	0.875	-			11260	26080		0.239	-	2.0000	1.9994	2.3755	2.3745		
	50.800	60.325	25.40	3.05	B-3216	M-32161	57.5	138	21.5	0.124	0.140	50.800	50.785	60.338	60.312	-	
	2.0000	2.3750	1.000	0.120			12930	31000		0.273	0.309	2.0000	1.9994	2.3755	2.3745		
	50.800	60.325	31.75	3.05	B-3220	M-32201	71.5	183	28.3	0.155	0.175	50.800	50.785	60.338	60.312	-	
	2.0000	2.3750	1.250	0.120			16070	41100		0.341	0.386	2.0000	1.9994	2.3755	2.3745		
	50.800	60.325	44.45	3.05	B-3228	M-32281	97.6	272	41.9	0.217	0.245	50.800	50.785	60.338	60.312	-	
	2.0000	2.3750	1.750	0.120			21940	61150		0.478	0.541	2.0000	1.9994	2.3755	2.3745		
	50.800	60.325	12.70	3.05	B-328	M-3281	25.4	48.2	7.20	0.062	0.070	50.800	50.785	60.338	60.312	-	
2.0000	2.3750	0.500	0.120	5710			10840	0.136		0.154	2.0000	1.9994	2.3755	2.3745			

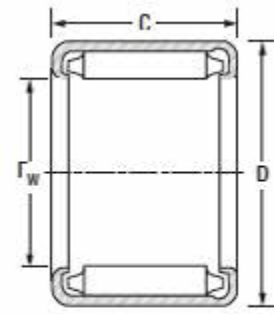
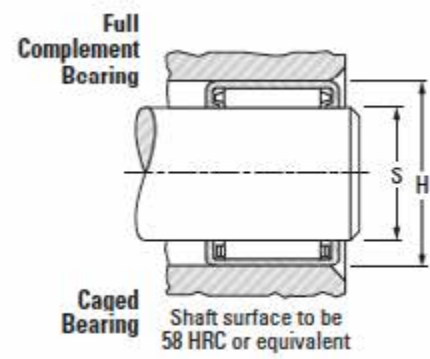
* Not a stocked range although available on request.



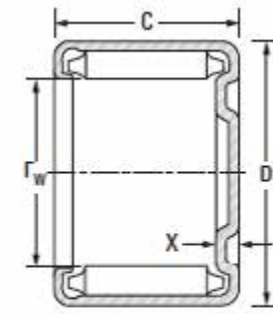
B, BH, NB, NBH



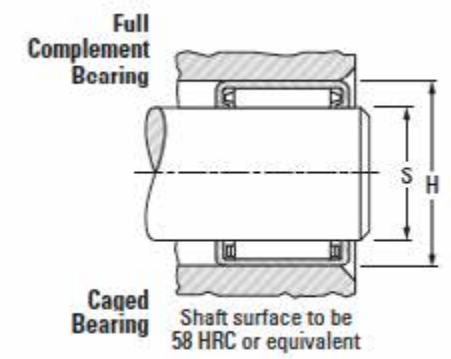
M-1, MH-1



B, BH, NB, NBH

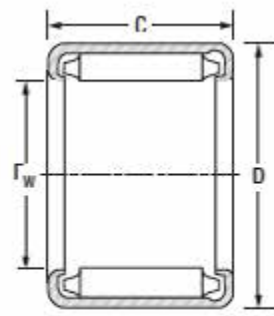


M-1, MH-1

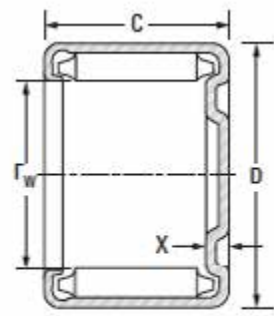


Shaft Dia.	Fw	D	C	X max.	Bearing Designation		Load Ratings		Fatigue Load Limit	Approx. Wt		Mounting Dimensions				Mounting inner ring
					Open Ends	Closed One End*	Dynamic C	Static CO		Cu	Open Ends	Closed One End	Shaft		Housing	
in	mm	mm	mm	mm			kN	kN	kN	kg	kg	Max.	Min.	Max.	Min.	
	in	in	in	in			lbf	lbf		lbs	lbs	mm	mm	mm	mm	
2 1/8	53.975	63.500	19.05	-	B-3412	-	43.6	99.0	15.5	0.098	-	53.975	53.960	63.513	63.487	IR-3024
	2.1250	2.5000	0.750	-			9790	22260		0.216	-	2.1250	2.1244	2.5005	2.4995	
	53.975	63.500	25.40	3.05	B-3416	M-34161	59.1	147	22.8	0.131	0.148	53.975	53.960	65.513	63.487	IR-3024
	2.1250	2.5000	1.000	0.120				13290		33000	0.289	0.327	2.1250	2.1244	2.5005	
	53.975	63.500	38.10	3.05	B-3424	M-34241	87.3	242	37.1	0.196	0.223	53.975	53.960	63.513	63.487	IR-3024
	2.1250	2.5000	1.500	0.120				19630		54400	0.433	0.491	2.1250	2.1244	2.5005	
	53.975	63.500	12.70	-	B-348	-	26.1	51.3	7.65	0.065	-	53.975	53.960	63.513	63.487	IR-3024
2.1250	2.5000	0.500	-			5870	11530	0.144		-	2.1250	2.1244	2.5005	2.4995		
2 1/4	57.150	66.675	19.05	3.30	B-3612	M-36121	46	105	16.5	0.103	0.117	57.150	57.135	66.688	66.662	-
	2.2500	2.6250	0.750	0.130				10340		23700	0.228	0.258	2.2500	2.2494	2.6255	
	57.150	66.675	31.75	-	B-3620	-	77.5	206	31.8	0.172	-	57.150	57.135	66.668	66.662	-
	2.2500	2.6250	1.250	-			17420	46400		0.380	-	2.2500	2.2494	2.6255	2.6245	
	57.150	66.675	38.10	3.30	B-3624	M-36241	91.9	257	39.6	0.207	0.235	57.150	57.135	66.688	66.662	-
2.2500	2.6250	1.500	0.130				20660	57700		0.456	0.517	2.2500	2.2494	2.6255	2.6245	
2 5/8	66.675	76.200	25.40	3.30	B-4216	M-42161	66.7	182	23.9	0.159	0.181	66.675	66.660	76.213	76.187	-
	2.6250	3.0000	1.000	0.130				15000		40900	0.351	0.398	2.6250	2.6244	3.0005	
2 3/4	69.850	79.375	15.88	-	B-4410	-	41.0	98.0	14.9	0.104	-	69.850	69.835	79.388	79.362	-
	2.7500	3.1250	0.625	-			9210	22000		0.229	-	2.7500	2.7494	3.1255	3.1245	
	69.850	79.375	25.40	-	B-4416	-	68.80	191	29.5	0.166	-	69.850	69.835	79.388	79.362	IR-4016
	2.7500	3.1250	1.000	-			15470	42940		0.366	-	2.7500	2.7494	3.1255	3.1245	
3 1/2	88.900	101.600	19.05	-	B-5612	-	65.1	150	22.9	0.212	-	88.900	88.885	101.613	101.587	-
	3.5000	4.000	0.750	-			14630	33700		0.468	-	3.5000	3.4994	4.0005	3.9995	

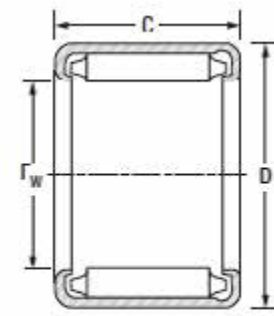
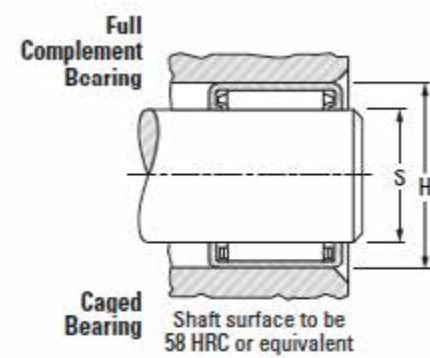
* Not a stocked range although available on request.



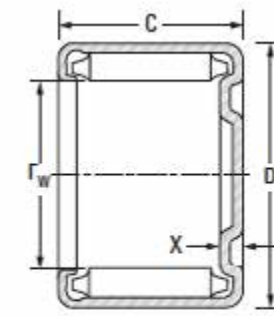
B, BH, NB, NBH



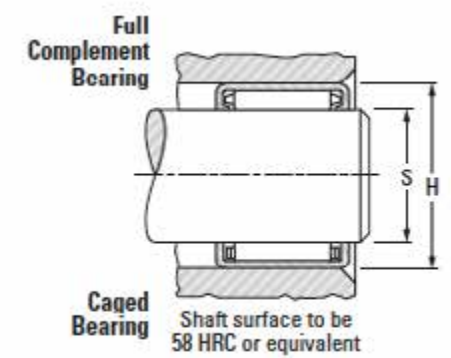
M-1, MH-1



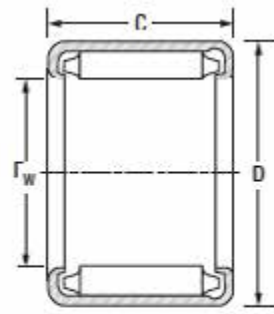
B, BH, NB, NBH



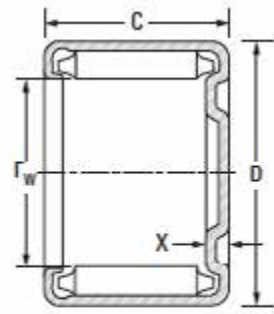
M-1, MH-1



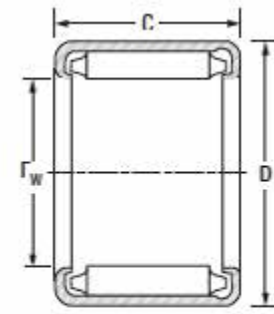
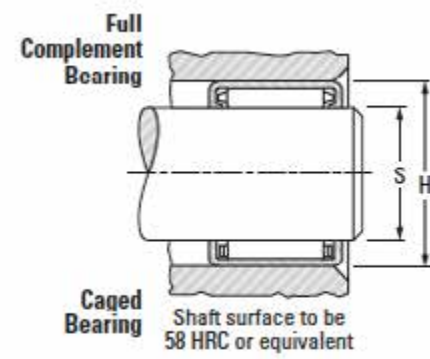
Shaft Dia.	Fw	D	C	X max.	Bearing Designation		Load Ratings		Fatigue Load Limit	Approx. Wt		Mounting Dimensions				Mounting inner ring	
					Open Ends	Closed One End	Dynamic	Static		Cu	Open Ends	Closed One End	Shaft		Housing		
							C	CO					Max.	Min.	Max.		Min.
in	mm	mm	mm	mm			kN	CO	kN			mm	mm	mm	mm		
	in	in	in	in			lbf					in	in	in	in		
5/16	7.938	14.288	11.13	2.29	BH-57	MH-571	7.01	7.33	1.10	0.007	0.008	7.938	7.925	14.300	14.275	-	
	0.3125	0.5625	0.438	0.090			1580	1650	1.10	0.016	0.018	0.3125	0.3120	0.5630	0.5620	-	
3/8	9.525	15.875	12.70	-	BH-68	-	9.35	10.9	1.65	0.010	-	9.525	9.512	15.888	15.862	IRA-3	
	0.3750	0.625	0.5	-			2100	2460	1.65	0.021	-	0.3750	0.3745	0.6255	0.6245	IRA-3	
7/16	11.113	15.875	12.7	-	BH-78	-	10.3	12.8	1.95	0.010	-	11.113	11.100	17.475	17.450	IRA-5	
	0.4375	0.6875	0.500	-			2320	2870	1.95	0.023	-	0.4375	0.4370	0.6880	0.6870	IRA-5	
1/2	12.700	19.050	11.13	-	BH-87	-	9.46	11.8	1.80	0.010	-	12.700	12.687	19.063	19.037	IRA-5	
	0.5000	0.7500	0.4388	-			2130	2650	1.80	0.023	-	0.5000	0.4995	0.7505	0.7495	IRA-5	
	12.700	19.050	15.88	-	BH-810	-	14.4	20.2	3.05	0.015	-	12.700	12.687	19.063	19.037	-	
	0.5000	0.7500	0.625	-			3230	4540	3.05	0.033	-	0.5000	0.4995	0.7507	0.7495	-	
	12.700	19.050	19.05	2.29	BH-812	MH-81821	17.4	25.8	3.95	0.018	0.020	12.700	12.687	19.063	19.037	-	
	0.5000	0.7500	0.750	0.090			3910	5790	3.95	0.039	0.044	0.5000	0.4995	0.7505	0.7495	-	
5/8	15.875	22.12	12.7	2.29	BH-108	MH-108	12.7	18.3	2.75	0.014	0.016	15.875	15.862	22.238	22.212	IR-68-1	
	0.6250	0.8745	0.500	0.090			2860	4110	2.75	0.031	0.035	0.6250	0.6245	0.8755	0.8745	IR-68-1	
	15.875	22.212	15.88	-	BH-1010	-	16.4	25.3	3.85	0.018	-	15.875	15.862	22.238	22.212	IR-612-1	
	0.6250	0.8745	0.625	-			3680	5680	3.85	0.039	-	0.6250	0.6245	0.8755	0.8745	IR-612-1	
	15.875	22.212	19.05	-	BH-1012	-	19.8	32.3	4.95	0.021	-	15.875	15.862	22.238	22.212	IR-612-1	
	0.6250	0.8745	0.75	-			4450	7250	4.95	0.047	-	0.6250	0.6245	0.8755	0.8745	IR-612-1	
	15.875	22.212	25.4	-	BH-1016	-	26.2	46.2	7.10	0.028	-	15.875	15.862	22.238	22.212	-	
0.6250	0.8745	1	-	5890			10390	7.10	0.062	-	0.6250	0.6245	0.8755	0.8745	-		
11/16	17.463	23.813	15.88	2.29	BH-1110	-	17.3	27.8	4.25	0.019	0.021	17.463	17.450	23.825	23.8	-	
	0.6875	0.9375	0.625	0.09			3890	6250	4.25	0.042	0.047	0.6875	0.6870	0.9380	0.9370	-	
	17.463	23.813	19.05	-	BH-1112	-	20.9	35.5	5.45	0.023	-	17.463	17.450	23.825	23.8	-	
	0.6875	0.9375	0.75	-			4700	7980	5.45	0.051	-	0.6875	0.6870	0.9380	0.9370	-	
13/16	20.638	28.575	19.05	2.79	BH-1312	MH-13121	24.2	39	6.10	0.034	0.039	20.638	20.625	28.588	28.562	-	
	0.8125	1.1250	0.750	0.11			5440	8760	6.10	0.076	0.086	0.8125	0.8120	1.1255	1.1245	-	



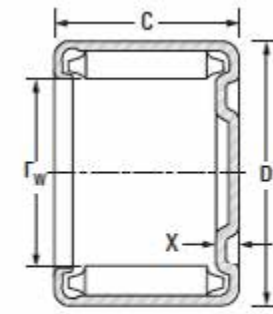
B, BH, NB, NBH



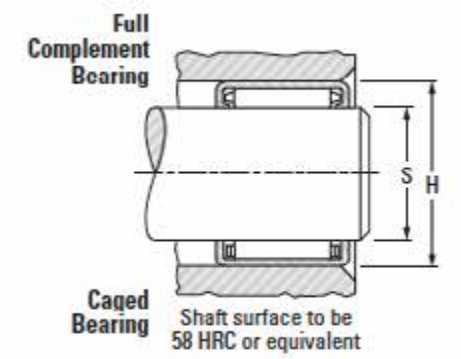
M-1, MH-1



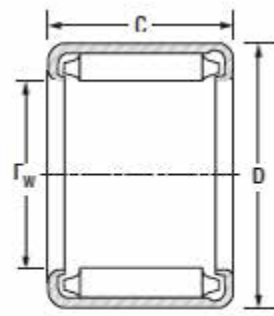
B, BH, NB, NBH



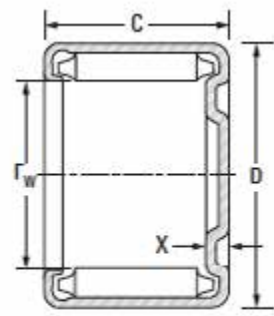
M-1, MH-1



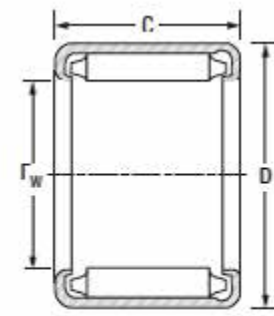
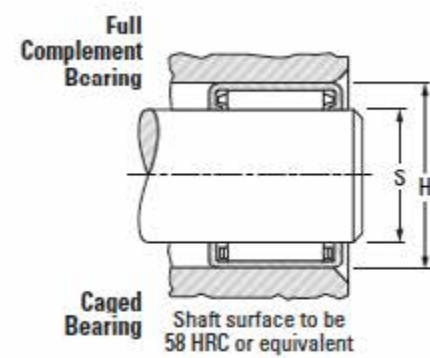
Shaft Dia.	Fw	D	C	X max.	Bearing Designation		Load Ratings		Fatigue Load Limit	Approx. Wt		Mounting Dimensions				Mounting inner ring	
					Open Ends	Closed One End	Dynamic	Static		Cu	Open Ends	Closed One End	Shaft		Housing		
							C	CO					Max.	Min.	Max.		Min.
in	mm	mm	mm	mm			kN	CO	kN	kg	lbs	mm	mm	mm	mm		
	in	in	in	in			lbf					in	in	in	in		
7/8	22.225	30.163	15.88	2.79	BH-1410	MH-14101	20.3	32.2	4.85	0.03	0.035	22.225	22.212	30.175	30.150	IR-1012 (1)	
	0.8750	1.1875	0.625	0.11			4570	7240		4.85	0.067	0.076	0.8750	0.8745	1.188	1.187	IR-1012 (1)
	22.225	30.163	19.05	2.79	BH-1412	MH-14121	25	42	6.55	0.036	0.041	22.225	22.212	30.175	30.150	IR-1012 (1)	
	0.8750	1.1875	0.750	0.110			5620	9440		6.55	0.080	0.091	0.8750	0.8745	1.1880	1.1870	IR-1012 (1)
	22.225	30.163	25.40	-	BH-1416	-	33.7	61.6	9.6	0.049	-	22.225	22.212	30.175	30.150	IR-1016	
	0.8750	1.1875	1.000	-			7570	13850		9.6	0.107	-	0.8750	0.8745	1.1880	1.1870	IR-1016
1	25.4	33.338	15.88	-	BH-1610	-	22.0	36.8	5.50	0.034	-	25.400	25.387	33.350	33.325	IR-1212	
	1.000	1.3125	0.625	-			4950	8280		5.50	0.075	-	1.000	0.9995	1.3130	1.312	IR-1212
	25.4	33.338	19.05	2.79	BH-1612	MH-16121	27.1	48.0	7.45	0.041	0.046	25.400	25.387	33.350	33.325	IR-1212	
	1.0000	1.3125	0.750	0.110			6090	10800		7.45	0.090	0.102	1.0000	0.9995	1.3130	1.3120	IR-1212
	25.4	33.338	25.4	2.79	BH-1616	MH-16161	36.5	70.4	10.9	0.054	0.062	25.400	25.387	33.350	33.325	IR-1216 (1)	
	1.000	1.3125	1.000	0.110			8200	15830		10.9	0.120	0.136	1.0000	0.9995	1.3130	1.3120	IR-1216 (1)
	25.4	33.338	31.75	-	BH-1620	-	45.2	92.8	14.2	0.068	-	25.400	25.387	33.50	33.325	IR-1220	
	1.000	1.3125	1.250	-			10160	20860		14.2	0.150	-	1.0000	0.9995	1.3130	1.3120	IR-1220
25.4	33.338	38.10	2.79	BH-1624	MH-16241	53.5	115	17.7	0.082	0.093	25.4	25.387	33.350	33.325	IR-1224		
1.000	1.3125	1.500	0.110			12030	25900		17.7	0.180	0.204	1.0000	0.9995	1.3130	1.3120	IR-1224	
1 1/8	28.575	38.100	19.05	3.05	BH-1812	MH-18121	31.5	52.5	8.30	0.056	0.063	28.575	28.562	38.113.38	0.8745	IR-1416 (1)	
	1.1250	1.5000	0.750	0.120			7090	11900		8.30	0.123	0.138	1.1250	1.1245	1.5005	1.4995	IR-1416 (1)
	28.575	38.100	25.40	3.05	BH-1816	MH-18161	42.5	77.8	12.0	0.074	0.084	28.575	28.562	38.113	38.087	IR-1416 (1)	
	1.1250	1.500	1.000	0.120			9560	17500		12.0	0.164	0.186	1.1250	1.1245	1.5005	1.4995	IR-1416 (1)
	28.575	38.100	31.75	3.05	BH-1820	MH-18201	53.0	103	15.8	0.093	0.105	28.575	28.562	38.113	38.087	-	
	1.1250	1.5000	1.250	0.120			11910	23200		15.8	0.205	0.232	1.1250	1.1245	1.5005	1.4995	-
1 1/4	31.750	41.275	12.70	3.05	BH-208	MH-2081	19.7	30.0	4.50	0.041	0.046	31.750	31.737	41.288	41.262	IR-1612	
	1.2500	1.6250	0.500	0.120			4420	6750		4.50	0.090	0.102	1.2500	1.2495	1.6255	1.6245	IR-1612
	31.750	41.275	19.05	3.05	BH-2012	MH-20121	33.1	58.6	9.10	0.061	0.069	31.750	31.737	41.288	41.262	IR-1612	
	1.2500	1.6250	0.750	0.120			7440	13170		9.10	0.135	0.153	1.2500	1.2495	1.6255	1.6245	IR-1612
	31.750	41.275	25.40	3.05	BH-2016	MH-20161	44.9	86.6	13.4	0.081	0.092	31.750	31.737	41.288	41.262	IR-1616 (1)	
	1.2500	1.6250	1.000	0.120			10100	19470		13.4	0.179	0.203	1.2500	1.2495	1.6255	1.6245	IR-1616 (1)
	31.750	41.275	31.75	3.05	BH-2020	MH-20201	55.9	115	17.6	0.102	0.115	31.750	31.737	41.288	41.262	-	
	1.2500	1.6250	1.250	0.120			12570	25800		17.6	0.224	0.254	1.2500	1.2495	1.6255	1.6245	-



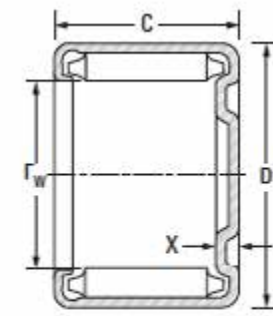
B, BH, NB, NBH



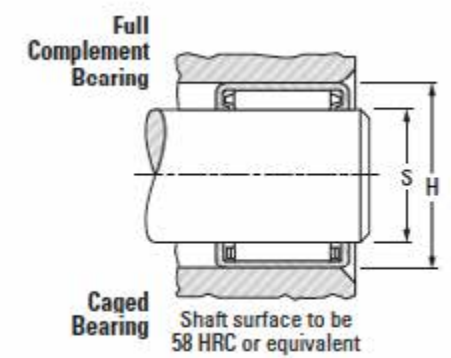
M-1, MH-1



B, BH, NB, NBH



M-1, MH-1



Shaft Dia.	Fw	D	C	X max.	Bearing Designation		Load Ratings		Fatigue Load Limit	Approx. Wt		Mounting Dimensions				Mounting inner ring	
					Open Ends	Closed One End	Dynamic	Static		Cu	Open Ends	Closed One End	Shaft		Housing		
							C	CO					Max.	Min.	Max.		Min.
in	mm	mm	mm	mm			kN	kN		kg	mm	mm	mm	mm			
	in	in	in	in			lbf	kN		lbs	in	in	in	in			
1 3/8	34.925	44.450	15.88	-	BH-2210	-	28.5	48.9	7.45	0.055	-	34.925	34.912	44.463	44.437	IR-1812	
	1.3750	1.7500	0.6256	-			6410	11000	7.45	0.122	-	1.3750	1.3745	1.7505	1.7495	IR-1812	
	34.925	44.450	19.05	3.05	BH-2212	MH-22121	35.3	64.3	10.0	0.066	0.075	34.925	34.912	44.463	44.437	IR-1812	
	1.3750	1.7500	0.750	0.120			7930	14450	10.0	0.146	0.165	1.3750	1.3745	1.7505	1.7495	IR-1812	
	34.925	44.450	25.40	3.05	BH-2216	MH-22161	47.6	94.8	14.7	0.088	0.100	34.925	34.912	44.463	44.437	IR-1816	
	1.3750	1.7500	1.000	0.120			10700	21300	14.7	0.195	0.221	1.3750	1.3745	1.7505	1.7495	IR-1816	
	34.925	44.450	31.75	-	BH-2220	-	59.4	126	19.4	0.111	0.125	34.925	34.912	44.463	44.437	IR-1820	
	1.3750	1.750	1.250	-			13350	28300	19.4	0.244	0.276	1.3750	1.3745	1.7505	1.7495	IR-1820	
2 1/16	52.388	64.292	19.05	-	BH-3312	-	46.1	86.9	13.4	0.122	-	52.388	52.372	64.305	64.280	IR-2916	
	2.0625	2.5312	0.750	-			10360	19540	13.4	0.269	-	2.0625	2.0619	5.5317	2.5307	IR-2916	
	52.388	64.292	25.40	3.56	BH-3316	MH-33161	64.2	133	20.7	0.162	0.184	52.388	52.372	64.305	64.280	IR-2916	
	2.0625	2.5312	1.000	0.140			14430	29900	20.7	0.358	0.406	2.0625	2.0619	2.5317	2.5307	IR-2916	