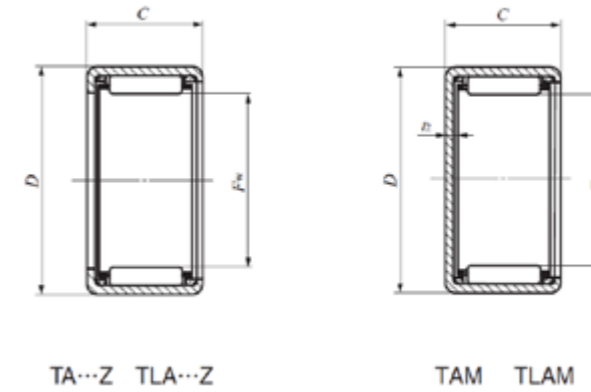
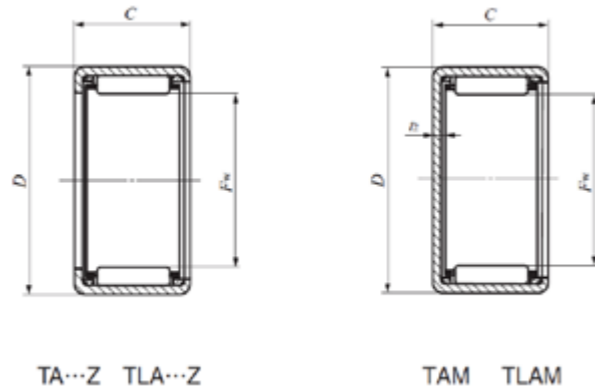


TLA Open Series

TLA Open Series



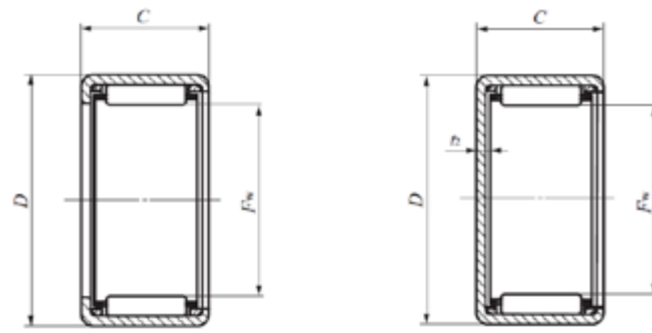
Shaft dia. mm	Identification number				Boundary dimensions (mm)					Standard mounting dimensions (mm)				Basic dynamic load rating C	Basic static load rating C0	Allowable rotational speed (1)	Assembled inner ring
	Standard	Mass (g)	Closed end*	Mass (g)	Fw	D	C	t2 Max.		Shaft dia. h6							
										Max	Min.	N7					
												Max.	Min.				
4	TLA 48 Z	1.54	TLAM 48	1.67	4	8	8	1		4	3.992	7.996	7.981	1 350	1 010	75 000	-
5	TLA 59 Z	1.9	TLAM 59	2	5	9	9	1		5	4.992	8.996	8.981	1 880	1 600	65 000	-
6	TLA 69 Z	2.2	TLAM 69	2.3	6	10	9	1		6	5.992	9.996	9.981	2 100	1 900	55 000	-
8	TLA 810 Z	3.1	TLAM 810	3.3	8	12	10	1		8	7.991	11.995	11.977	3 320	3 670	45 000	-
9	TLA 910 Z	3.4	TLAM 910	3.6	9	13	10	1		9	8.991	12.995	12.977	3 500	4 040	45 000	-
	TLA 912 Z	4	TLAM 912	4.3	9	13	12	1		9	8.991	12.995	12.977	4 460	5 510	45 000	-
10	TLA 1010 Z	3.7	TLAM 1010	4	10	14	10	1		10	9.991	13.995	13.977	3 870	4 740	40 000	IRT 710
	TLA 1012 Z	4.4	TLAM 1012	4.8	10	14	12	1		10	9.991	13.995	13.977	4 920	6 460	40 000	IRT 712
	TLA 1015 Z	5.5	TLAM 1015	5.9	10	14	15	1		10	9.991	13.995	13.977	6 390	9 040	40 000	IRT 715
12	TLA 1210 Z	4.3	TLAM 1219	4.7	12	16	10	1		12	11.989	15.995	15.977	4 350	5 810	35 000	IRT 810
	TLA 1212 Z	8.6	TLAM 1212	9.4	12	18	12	1.3		12	11.989	17.995	17.977	6 420	7 490	35 000	IRT 812
13	TLA 1312 Z	9.2	TLAM 1312	10.1	13	19	12	1.3		13	12.989	18.993	18.972	6 760	8 170	30 000	IRT 1012
14	TLA 1412 Z	9.8	TLAM 1412	10.8	14	20	12	1.3		14	13.989	19.993	19.972	7 080	8 840	30 000	IRT 1012-2
	TLA 1416 Z	13.2	TLAM 1416	14.3	14	20	16	1.3		14	13.989	19.993	19.972	8 950	12 000	30 000	IRT 1016-2
15	TLA 1512 Z	10.4	TLAM 1512	11.5	15	21	12	1.3		15	14.989	20.993	20.972	7 380	9 520	25 000	IRT 1212
	TLA 1516 Z	14	TLAM 1516	15.2	15	21	16	1.3		15	14.989	20.993	20.972	9 330	12 900	25 000	IRT 1216
	TLA 1522 Z	19.1	TLAM 1522	20.5	15	21	22	1.3		15	14.989	20.993	20.972	13 600	20 900	25 000	IRT 1222
16	TLA 1612 Z	10.9	TLAM 1612	12.2	16	22	12	1.3		16	15.989	21.993	21.972	7 670	10 200	25 000	IRT 1212-1
	TLA 1616 Z	14.8	TLAM 1616	16.1	16	22	16	1.3		16	15.989	21.993	21.972	9 700	13 800	25 000	IRT 1216-1
	TLA 1622 Z	20	TLAM 1622	21.5	16	22	22	1.3		16	15.989	21.993	21.972	14 200	22 400	25 000	IRT 1222-1
17	TLA 1712 Z	11.5	TLAM 1712	13	17	23	12	1.3		17	16.989	22.993	22.972	7 960	10 900	25 000	-
18	TLA 1812 Z	12	TLAM 1812	13.7	18	24	12	1.3		18	17.989	23.993	23.972	8 230	11 500	20 000	IRT 1512
	TLA 1816 Z	16.2	TLAM 1816	17.9	18	24	16	1.3		18	17.989	23.993	23.972	10 400	15 600	20 000	IRT 1516
20	TLA 2012 Z	13.2	TLAM 2012	15.2	20	26	12	1.3		20	19.987	25.993	25.972	8 740	12 900	20 000	-
	TLA 2016 Z	17.8	TLAM 2016	19.9	20	26	16	1.3		20	19.987	25.993	25.972	11 100	17 500	20 000	IRT 1716
	TLA 2020 Z	22	TLAM 2020	24	20	26	20	1.3		20	19.987	25.993	25.972	14 500	24 700	20 000	IRT 1720
	TLA 2030 Z	33	TLAM 2030	35	20	26	30	1.3		20	19.987	25.993	25.972	22 300	42 900	20 000	IRT 1730
22	TLA 2212 Z	15.6	TLAM 2212	18.1	22	28	12	1.3		22	21.987	27.993	27.972	9 230	14 300	18 000	-
	TLA 2216 Z	21.5	TLAM 2216	24	22	28	16	1.3		22	21.987	27.993	27.972	11 700	19 300	18 000	IRT 1716-2
	TLA 2220 Z	26.5	TLAM 2220	29	22	28	20	1.3		22	21.987	27.993	27.972	15 300	27 300	18 000	IRT 1720-2

*Not a stocked range although available on request

Note. (1) Allowable rotational speed applied to oil lubrication. For grease lubrication, a maximum of 60% of this value is allowable.

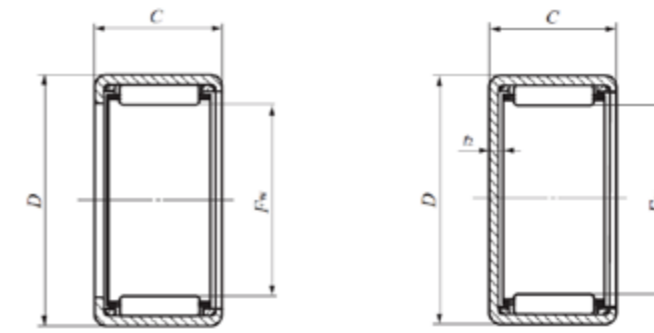
TLA Open Series

TLA Open Series



TA...Z TLA...Z

TAM TLAM



TA...Z TLA...Z

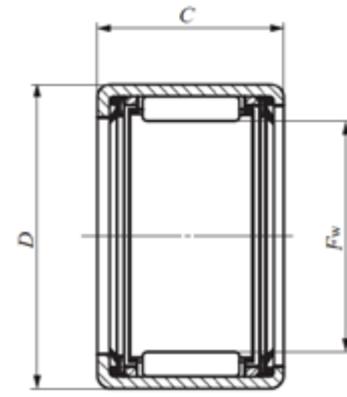
TAM TLAM

Shaft dia. mm	Identification number				Boundary dimensions (mm)				Standard mounting dimensions (mm)				Basic dynamic load rating C	Basic static load rating C0	Allowable rotational speed (1)	Assembled inner ring
	Standard	Mass (g)	Closed end*	Mass (g)	Fw	D	C	t2 Max.	Shaft dia. h6							
									Max	Min.	N7					
											Max.	Min.				
25	TLA 2512 Z	19.7	TLAM 2512	23.5	25	32	12	2.8	25	24.987	31.992	31.967	9 440	13 900	15 000	-
	TLA 2516 Z	26	TLAM 2516	29.5	25	32	16	2.8	25	24.987	31.992	31.967	12 800	20 500	15 000	-
	TLA 2520 Z	32	TLAM 2520	36	25	32	20	2.8	25	24.987	31.992	31.967	16 900	29 300	15 000	IRT 2020-1
	TLA 2526 Z	41.5	TLAM 2526	45.5	25	32	26	2.8	25	24.987	31.992	31.967	22 600	42 500	15 000	IRT 2026-1
28	TLA 2816 Z	28.5	TLAM 2816	33.5	28	35	16	2.8	28	27.987	34.992	34.967	13 800	23 500	13 000	-
	TLA283525	47	-	-	28	35	25	2.8	28	27.987	34.992	34.967	-	-	13 000	-
	TLA 2820 Z	35.5	TLAM 2820	40.5	28	35	20	2.8	28	27.987	34.992	34.967	18 300	33 600	13 000	IRT 2220-1
30	TLA 3012 Z	23.5	TLAM 3012	29	30	37	12	2.8	30	29.987	36.992	36.967	10 400	16 600	12 000	-
	TLA 3016 Z	30.5	TLAM 3016	36	30	37	16	2.8	30	29.987	36.992	36.967	14 100	24 500	12 000	-
	TLA 3018 Z	34.5	TLAM 3018	40	30	37	18	2.8	30	29.987	36.992	36.967	16 400	29 800	12 000	-
	TLA 3020 Z	38	TLAM 3020	43.5	30	37	20	2.8	30	29.987	36.992	36.967	18 600	35 100	12 000	IRT 2520-1
	TLA 3026 Z	49	TLAM 3026	54.5	30	37	26	2.8	30	29.987	36.992	36.967	24 800	50 900	12 000	IRT 2526-1
35	TLA 3512 Z	27	TLAM 3512	34.5	35	42	12	2.8	35	34.984	41.992	41.967	11 600	20 000	10 000	IRT 3012
	TLA 3516 Z	35	TLAM 3516	42.5	35	42	16	2.8	35	34.984	41.992	41.967	15 700	29 600	10 000	-
	TLA 3520 Z	43.5	TLAM 3520	51	35	42	20	2.8	35	34.984	41.992	41.967	20 700	42 300	10 000	IRT 3020
40	TLA 4012 Z	30	TLAM 4012	40	40	47	12	2.8	40	39.984	46.992	46.967	12 400	22 800	8 500	-
	TLA 4016 Z	39	TLAM 4016	49	40	47	16	2.8	40	39.984	46.992	46.967	16 700	33 700	8 500	-
	TLA 4020 Z	49	TLAM 4020	58.5	40	47	20	2.8	40	39.984	46.992	46.967	22 100	48 200	8 500	IRT 3520
45	TLA 4516 Z	43.5	TLAM 4516	56	45	52	16	2.8	45	44.984	51.991	51.961	17 800	37 800	7 500	-
	TLA 4520 Z	54.5	TLAM 4520	67	45	52	20	2.8	45	44.984	51.991	51.961	23 400	54 000	7 500	IRT 4020
50	TLA 5020 Z	69	TLAM 5020	84.5	50	58	20	2.8	50	49.984	57.991	57.961	28 800	64 100	6 500	IRT 4520
	TLA 5025 Z	86	TLAM 5025	107	50	58	25	2.8	50	49.984	57.991	57.961	36 900	88 400	6 500	IRT 4525
55	TLA 5520 Z	75	TLAM 5520	98.5	55	63	20	2.8	55	54.981	62.991	62.961	29 800	69 400	5 500	IRT 5020-1
	TLA 5525 Z	98.5	TLAM 5525	118	55	63	25	2.8	55	54.981	62.991	62.961	38 300	95 700	5 500	IRT 5025-1

*Not a stocked range although available on request

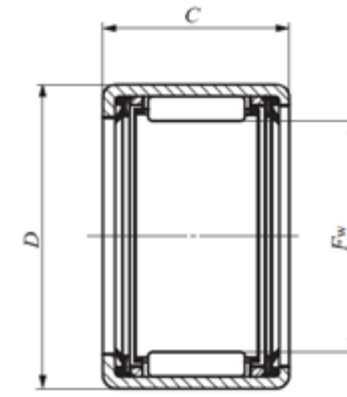
Note. (1) Allowable rotational speed applied to oil lubrication. For grease lubrication, a maximum of 60% of this value is allowable.

TLA - UU Rubber Seals Series



TLA...UU

TLA - UU Rubber Seals Series



TLA...UU

Shaft dia.mm	Identification number	Mass	Boundary dimensions			Standard mounting dimensions (mm)				Basic dynamic load rating C N	Basic static load rating C0	Allowable rotational speed (1) rpm
		(Ref.)	mm			Shaft dia. h6		Housing bore dia.N7				
		g	Fw	D	C	Max.	Min.	Max.	Min.			
12	TLA 1216 UU	11.7	12	18	16	12	11.989	17.995	17.977	6 420	7 490	14 000
14	TLA 1416 UU	13.3	14	20	16	14	13.989	19.993	19.972	7 080	8 840	12 000
15	TLA 1516 UU	14	15	21	16	15	14.989	20.993	20.972	7 380	9 520	11 000
16	TLA 1616 UU	14.8	16	22	16	16	15.987	21.993	21.972	7 670	10 200	11 000
18	TLA 1816 UU	16.3	18	24	16	16	17.989	23.993	23.972	8 230	11 500	9 000
20	TLA 2016 UU	17.8	20	26	16	20	19.987	25.993	25.972	8 740	12 900	9 000
	TLA 2020 UU	22.5	20	26	20	20	19.987	25.993	25.972	11 100	17 500	9 000
25	TLA 2516 UU	26	25	32	16	25	24.987	31.992	31.967	9 440	13 900	7 000
	TLA 2520 UU	33	25	32	20	25	24.987	31.992	31.967	12 800	20 500	7 000
28	TLA 2820 UU	36.5	28	35	20	28	27.987	34.992	34.967	13 800	23 500	6 000
30	TLA 3016 UU	30.5	30	37	16	30	29.987	36.992	36.967	10 400	16 600	5 500
	TLA 3020 UU	39	30	37	20	30	29.987	36.992	36.967	14 100	24 500	5 500
35	TLA 3516 UU	35	35	42	16	35	34.984	41.992	41.967	11 600	20 000	5 000
40	TLA 4016 UU	39.5	40	47	16	40	39.984	46.992	46.967	12 400	22 800	4 500
	TLA 4020 UU	50.5	40	47	20	40	39.984	46.992	46.967	16 700	33 700	4 500

Note. (1) Allowable rotational speed applied to oil lubrication. For grease lubrication, a maximum of 60% of this value is allowable.