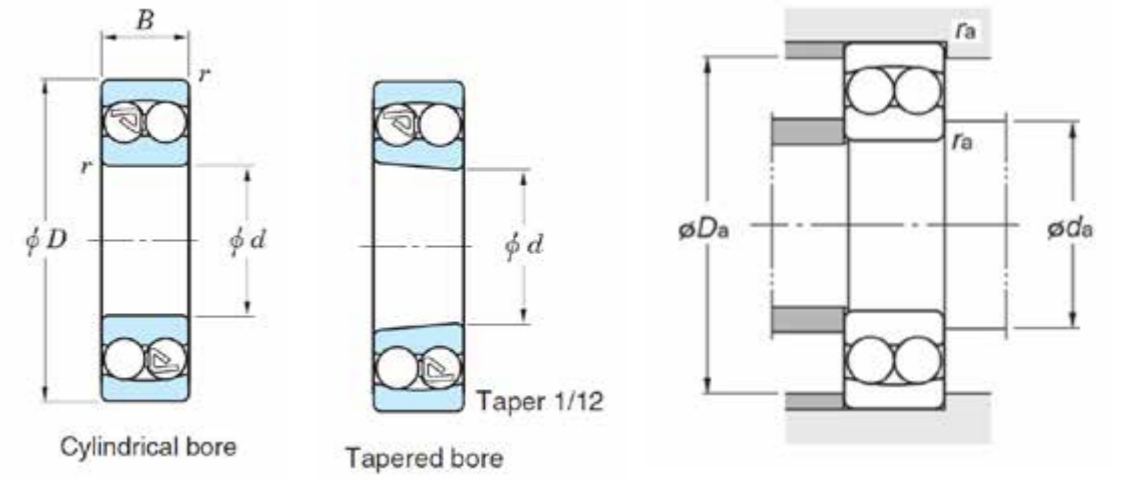
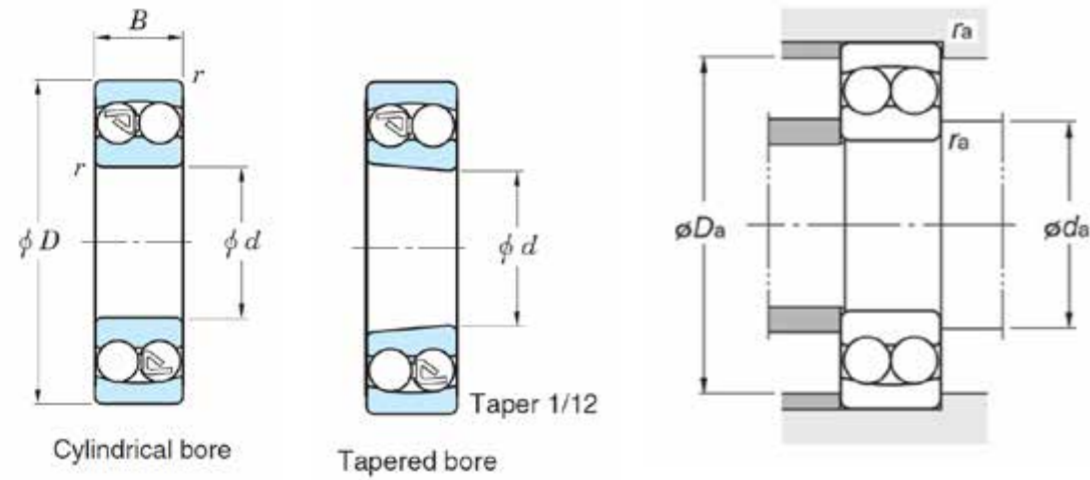
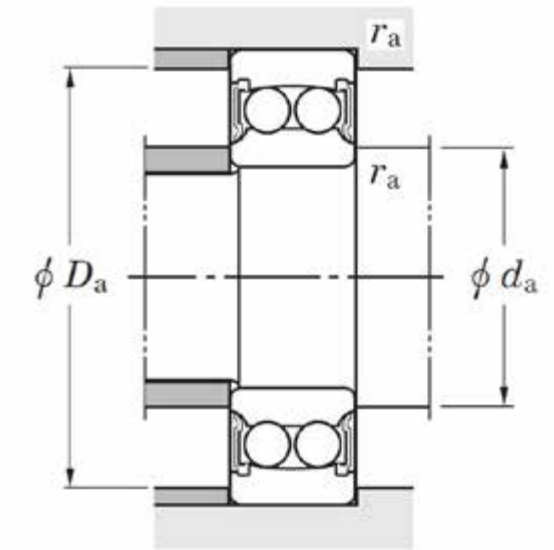
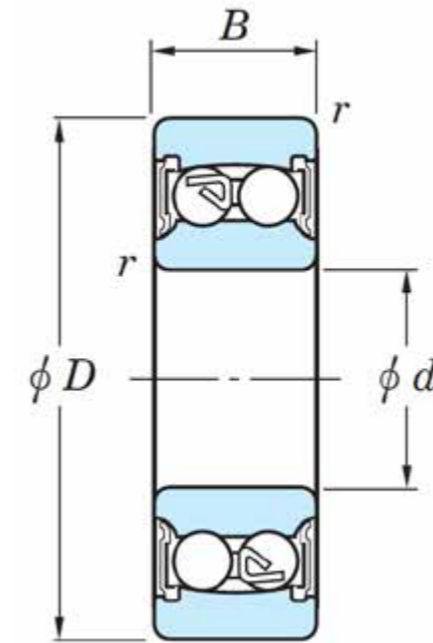
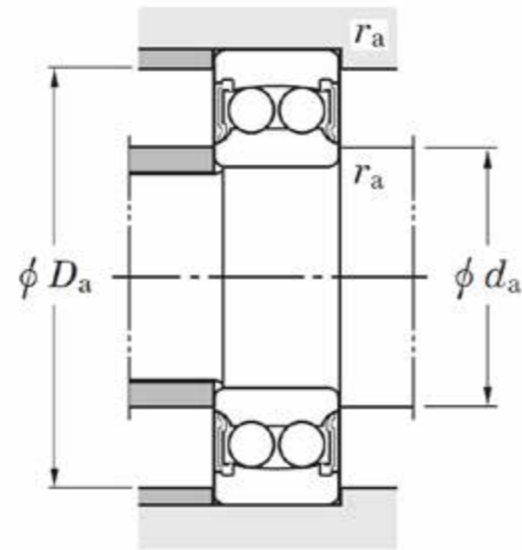
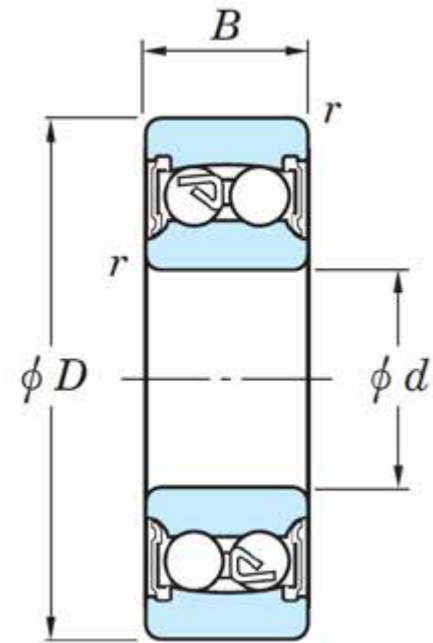


Boundary dimensions(mm)				Basic load ratings(kN)		Fatigue load limit(kN)	Limiting speeds		Bearing No.		Mounting dimensions (mm)			Constant	Axial load factors			Mass(kg)	
d	D	B	r min.	Cr	Cor	Cu	Grease lub.	Oil lub.	Cylindrical bore	Tapered bore	da min.	Da max.	ra max.	e	Y1	Y2	Y0	Cylindrical bore	Tapered bore
20	47	18	1	12.6	3.25	0.21	14000	17000	2204	2204K	25	42	1	0.48	1.31	2.02	1.37	0.14	0.136
25	52	15	1	12.1	3.3	0.21	12 000	14 000	1205	1205K	30	47	1	0.28	2.28	3.52	2.39	0.141	0.138
	52	18	1	12.6	3.5	0.22	12000	15000	2205	2205K	30	47	1	0.4	1.58	2.45	1.66	0.163	0.158
30	62	17	1.1	18	5.05	0.32	9 900	12 000	1305	1305K	31.5	55.5	1	0.27	2.31	3.57	2.42	0.257	0.252
	62	16	1	15.6	4.7	0.29	9 900	12 000	1206	1206K	35	57	1	0.25	2.55	3.94	2.67	0.22	0.216
	62	20	1	15.5	4.65	0.29	10 000	12 000	2206	2206K	35	57	1	0.35	1.79	2.77	1.87	0.26	0.254
	72	19	1.1	21.3	6.3	0.4	8 700	11 000	1306	1306K	36.5	65.5	1	0.26	2.4	3.72	2.52	0.387	0.381
35	72	27	1.1	21.3	6.30	0.4	8 000	11 000	2306	2306K	36.5	65.5	1	0.44	1.44	2.23	1.51	0.50	0.492
	72	17	1.1	15.8	5.15	0.32	8 500	10 000	1207	1207K	41.5	65.5	1	0.23	2.71	4.2	2.84	0.323	0.317
	72	23	1.1	21.6	6.65	0.42	8 500	10 000	2207	2207K	41.5	65.5	1	0.37	1.71	2.65	1.79	0.403	0.396
	80	21	1.5	25.1	7.95	0.49	7 600	9 300	1307	1307K	43	72	1.5	0.25	2.48	3.84	2.6	0.51	0.502
40	80	31	1.5	39.5	11.1	0.71	7 100	9 800	2307	2307K	43	72	1.5	0.45	1.39	2.15	1.46	0.675	0.657
	80	18	1.1	19.2	6.5	0.41	7 500	9 200	1208	1208K	46.5	73.5	1	0.22	2.83	4.38	2.97	0.417	0.411
	80	23	1.1	22.4	7.35	0.46	7 600	9 300	2208	2208K	46.5	73.5	1	0.33	1.92	2.96	2.01	0.505	0.494
	90	23	1.5	29.6	9.8	0.61	6 900	8 400	1308	1308K	48	82	1.5	0.25	2.57	3.98	2.69	0.715	0.704
45	90	33	1.5	44.9	13.4	0.85	6 200	8 600	2308	2308K	48	82	1.5	0.43	1.47	2.27	1.54	0.925	0.903
	85	19	1.1	21.8	7.35	0.46	7 000	8 500	1209	1209K	51.5	78.5	1	0.21	2.94	4.56	3.09	0.465	0.459
	85	23	1.1	23.3	8.15	0.51	7 000	8 500	2209	2209K	51.5	78.5	1	0.3	2.09	3.23	2.19	0.545	0.533
	100	25	1.5	38.1	12.9	0.8	6 100	7 500	1309	1309K	53	92	1.5	0.25	2.56	3.95	2.68	0.957	0.942
50	100	36	1.5	54.4	16.6	1.05	5 600	7 700	2309	2309K	53	92	1.5	0.42	1.51	2.33	1.58	1.23	1.2
	90	20	1.1	22.7	8.1	0.51	6 500	7 900	1210	1210K	56.5	83.5	1	0.21	3.07	4.76	3.22	0.525	0.515
	90	23	1.1	23.3	8.5	0.53	6 500	7 900	2210	2210K	56.5	83.5	1	0.27	2.33	3.61	2.45	0.59	0.577
50	110	27	2	43.4	14.2	0.89	5 600	6 800	1310	1310K	59	101	2	0.23	2.7	4.17	2.83	1.21	1.19



Boundary dimensions(mm)				Basic load ratings(kN)		Fatigue load limit(kN)	Limiting speeds		Bearing No.		Mounting dimensions (mm)			Constant	Axial load factors			Mass(kg)	
d	D	B	r min.	Cr	Cor	Cu	Grease lub.	Oil lub.	Cylindrical bore	Tapered bore	da min.	Da max.	ra max.	e	Y1	Y2	Y0	Cylindrical bore	Tapered bore
55	100	21	1.5	26.8	10	0.63	5 800	7 100	1211	1211K	63	92	1.5	0.2	3.19	4.94	3.34	0.705	0.693
	100	25	1.5	26.5	9.95	0.62	5 800	7 100	2211	2211K	63	92	1.5	0.27	2.35	3.64	2.47	0.81	0.792
	120	29	2	51.3	18.1	1.1	5 000	6 200	1311	1311K	64	111	2	0.23	2.7	4.18	2.83	1.58	1.56
60	110	22	1.5	30.2	11.6	0.73	5 200	6 400	1212	1212K	68	102	1.5	0.19	3.37	5.22	3.53	0.9	0.885
	110	28	1.5	34.1	12.5	0.8	5 300	6 500	2212	2212K	68	102	1.5	0.28	2.26	3.49	2.36	1.09	1.07
	130	31	2.1	57.1	20.8	1.3	4 500	5 500	1312	1312K	71	119	2	0.22	2.91	4.5	3.05	1.96	1.93
65	120	23	1.5	31	12.4	0.79	4 800	5 800	1213	1213K	73	112	1.5	0.17	3.67	5.68	3.84	1.15	1.13
	120	31	1.5	43.6	16.4	1.05	4 900	5 900	2213	2213K	73	112	1.5	0.28	2.24	3.47	2.35	1.46	1.43
	140	33	2.1	61.7	22.9	1.4	4 300	5 200	1313	1313K	76	129	2	0.23	2.73	4.23	2.86	2.45	2.41
70	125	24	1.5	34.7	13.7	0.87	4 600	5 700	1214	1214K	78	117	1.5	0.18	3.48	5.38	3.64	1.26	-
75	130	25	1.5	38.8	15.5	0.97	4 300	5 300	1215	1215K	83	122	1.5	0.17	3.6	5.58	3.77	1.36	1.34
	130	31	-	-	-	-	-	-	2215	2215K	-	-	-	-	-	-	-	-	-
80	140	26	2	39.7	16.9	1	4 000	4 900	1216	1216K	89	131	2	0.16	3.9	6.03	4.08	1.67	1.64
	140	33	-	-	-	-	-	-	2216	2216K	-	-	-	-	-	-	-	-	-
85	150	28	2	49.2	20.5	1.2	3 800	4 600	1217	1217K	94	141	2	0.17	3.61	5.59	3.78	2.07	2.04
	150	36	-	-	-	-	-	-	2217	2217K	-	-	-	-	-	-	-	-	-
90	160	30	2	56.8	23.4	1.3	3 500	4 300	1218	1218K	99	151	2	0.17	3.69	5.7	3.86	2.52	2.48
100	180	34	-	-	-	-	-	-	-	1220K	-	-	-	-	-	-	-	-	-



Boundary dimensions (mm)				Basic Load Ratings		Fatigue Load	Limiting Speeds	Bearing no.	Mounting Dimensions (mm)				Constant	Axial load factors			Mass Kg
d	D	B	r min	Cr	Cor	Cu	Grease Lub		da		Da	ra	e	Y1	Y2	Y0	
		min	max	max	max												
25	52	18	1	12.1	3.3	0.21	7900	2205-2RS	29.4	29.4	46	1	0.28	2.28	3.52	2.39	0.163
	62	24	1.1	18	5.05	0.32	6600	2305-2RS	32	33.9	55	1	0.27	2.31	3.57	2.42	0.335
30	62	20	1	15.6	4.7	0.29	6600	2206-2RS	35.5	35.5	56	1	0.25	2.55	3.94	2.67	0.26
	72	27	1.1	21.3	6.3	0.4	5800	2306-2RS	37	37.8	65	1	0.26	2.4	3.72	2.52	0.5
35	72	23	1.1	15.8	5.15	0.32	5700	2207-2RS	40.9	40.9	65	1	0.23	2.71	4.2	2.84	0.403
	80	31	1.5	25.1	7.95	0.49	5 100	2307-2RS	43.5	49.6	71.5	1.5	0.25	2.48	3.84	2.6	0.675
40	80	23	1.1	19.2	6.5	0.41	5000	2208-2RS	47	48.1	73	1	0.22	2.83	4.38	2.97	0.505
	90	33	1.5	38.1	12.9	0.8	4 600	2308-2RS	48.5	49.6	81.5	1.5	0.25	2.57	3.98	2.69	0.925
45	85	23	1.1	21.8	7.35	0.43	4600	2209-2RS	52	52.4	78	1	0.21	2.94	4.56	3.09	0.545
	100	36	1.5	38.1	12.9	0.8	4 100	2309-2RS	53.5	56.6	91.5	1.5	0.25	2.56	3.95	2.68	1.23
50	90	23	1.1	22.7	8.1	0.51	4 300	2210-2RS	56.5	56.5	83	1	0.21	3.07	4.76	3.22	0.59
	110	40	2	43.3	14.2	0.89	3 700	2310-2RS	60	62.5	100	2	0.23	2.7	4.17	2.83	1.64
55	100	25	1.5	26.8	10	0.63	3900	2211-2RS	63.5	63.5	91.5	1.5	0.2	3.19	4.94	3.34	0.81