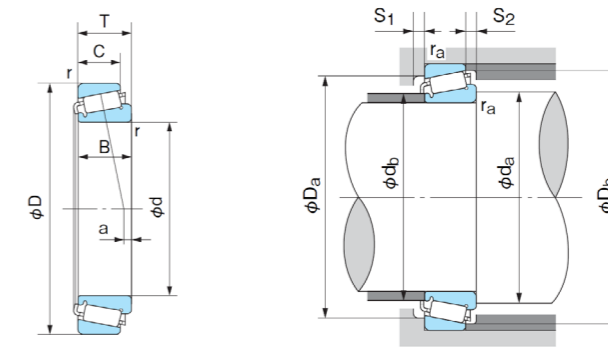
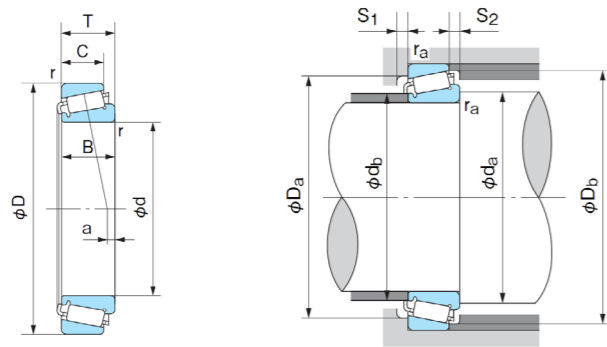
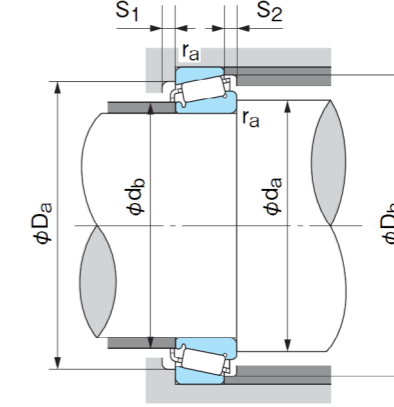
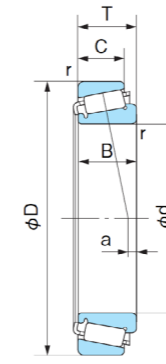
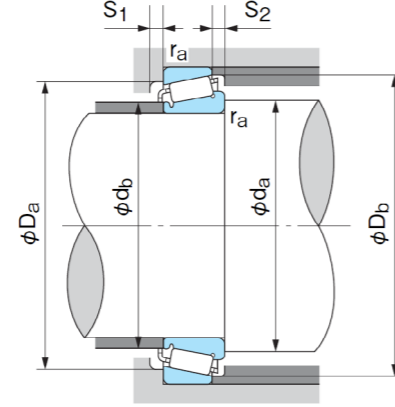
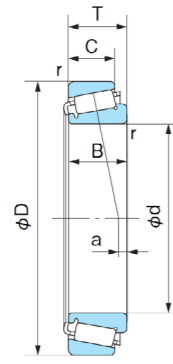


Boundary dimensions (mm)							Bearing No	(Ref.) ISO355 Dimension series	Basic dynamic load rating Cr (N)	Basic static load rating Cor (N)	Limiting speed (min-1)		Abutment and fillet dimensions (mm)								Load center (mm) a (1)	Constant e	Axial load factor		Mass(kg) Reference	Bearing No		
d	D	T	B	C	Cone	Cup					Grease lubrication	Oil lubrication	da (min)	db (max)	Da (min)	Db (min)	S1 (min)	S2 (min)	Cone ra (max)	Cup ra (max)			Y1	Y0				
						r (min)																						
15	35	11.75	11	10	0.6	0.6	E30202J		15800	14500	12000	16000			19.5	20	29	33	2	1.7	0.6	0.6	3.4	0.32	1.88	1.04	0.054	E30202J
17	40	13.25	12	11	1	1	E30203J	2DB	20800	20700	10000	14000			22.5	23	33	37	2	2	1	1	3.2	0.35	1.74	0.96	0.081	E30203J
20	47	15.25	14	12	1	1	E30204J	2DB	27000	27200	8700	12000			25.5	27	39	44	2	3	1	1	3.5	0.35	1.74	0.95	0.127	E30204J
25	52	16.25	15	13	1	1	E30205J	3CC	31500	33700	7500	10000			30.5	31	44	48	2	3	1	1	3.3	0.37	1.60	0.88	0.156	E30205J
30	62	17.25	16	14	1	1	E30206J	3DB	41500	44800	6500	8700			35.5	37	53	57	2	3	1	1	3.1	0.37	1.60	0.88	0.236	E30206J
35	72	18.25	17	15	1.5	1.5	E30207J	3DB	55100	60900	5600	7400			43.5	44	62	67	3	3	1.5	1.5	2.9	0.37	1.60	0.88	0.344	E30207J
40	80	19.75	18	16	1.5	1.5	E30208J	3DB	62900	69200	5000	6700			48.5	49	69	75	3	3.5	1.5	1.5	2.7	0.37	1.60	0.88	0.434	E30208J
45	85	20.75	19	16	1.5	1.5	E30209J	3DB	67200	77400	4600	6100			53.5	54	74	80	3	4.5	1.5	1.5	1.8	0.40	1.48	0.81	0.502	E30209J
50	90	21.75	20	17	1.5	1.5	E30210J	3DB	76500	91700	4300	5700			58.5	58	79	85	3	4.5	1.5	1.5	1.65	0.42	1.43	0.79	0.566	E30210J
55	100	22.75	21	18	2	1.5	E30211J	3DB	94600	113000	3900	5200			65	64	88	94	4	4.5	2	1.5	2	0.40	1.48	0.81	0.732	E30211J
60	110	23.75	22	19	2	1.5	E30212J	3EB	106000	127000	3500	4700			70	70	96	103	4	4.5	2	1.5	1.8	0.40	1.48	0.81	0.945	E30212J
65	120	24.75	23	20	2	1.5	E30213J	3EB	128000	156000	3200	4300			75	77	106	113	4	4.5	2	1.5	0.6	0.40	1.48	0.81	1.18	E30213J
70	125	26.25	24	21	2	1.5	E30214J	3EB	138000	173000	3100	4100			80	81	110	118	4	5	2	1.5	0.3	0.42	1.43	0.79	1.32	E30214J
75	130	27.25	25	25	2	1.5	E30215J	4DB	142000	181000	2900	3900			85	86	115	124	4	5	2	1.5	-0.3	0.44	1.38	0.76	1.42	E30215J
80	140	28.25	26	22	2.5	2	E30216J	3EB	161000	202000	2700	3600			92	91	124	132	4	6	2	2	-0.3	0.42	1.43	0.79	1.72	E30216J
85	150	30.5	28	24	2.5	2	E30217J	3EB	182000	231000	2500	3400			97	97	132	141	5	6.5	2	2	0.1	0.42	1.43	0.79	2.17	E30217J
90	160	32.5	30	26	2.5	2	E30218J	3FB	204000	261000	2400	3200			102	103	140	150	5	6.5	2	2	-0.1	0.42	1.43	0.79	2.65	E30218J
95	170	34.5	32	27	3	2.5	E30219J	3FB	231000	299000	2200	3000			109	110	149	159	5	7.5	2.5	2	-0.4	0.42	1.43	0.79	3.20	E30219J
100	180	37	34	29	3	2.5	E30220J	3FB	258000	338000	2100	2800			114	116	157	168	5	8	2.5	2	0.2	0.42	1.43	0.79	3.83	E30220J
105	190	39	36	30	3	2.5	E30221J		288000	380000	2000	2600			119	122	165	178	6	9	2.5	2	0.0	0.42	1.43	0.79	4.49	E30211L
110	200	41	38	32	3	2.5	E30222J	3FB	324000	343000	1900	2500			124	129	174	188	6	9	2.5	2	0.2	0.42	1.43	0.79	5.33	E30222J
120	215	43.5	40	34	3	2.5	E30224J	4FE	347000	473000	1700	2300			134	140	187	203	6	9.5	2.5	2	-0.7	0.44	1.38	0.76	6.36	E30224J
130	230	43.75	40	34	4	3	E30226J	4FB	377000	511000	1600	2100			148	152	203	218	7	9.5	3	2.5	-2.7	0.44	1.38	0.76	7.24	E30226J
140	250	45.75	42	36	4	3	E30228J	-	405000	538000	1500	1900			158	163	219	237	9	9.5	3	2.5	-3.4	0.43	1.39	0.77	8.9	E30228J
150	270	49	45	38	4	3	E30230J	-	466000	625000	1300	1800			168	175	234	255	9	11	3	2.5	-2.7	0.43	1.39	0.77	10.9	E30230J

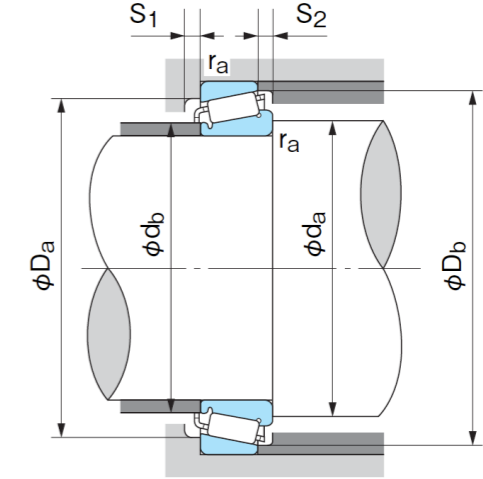
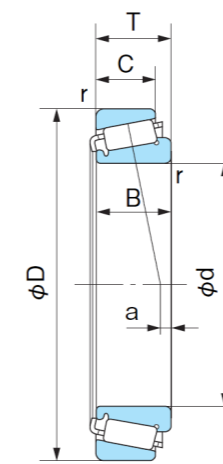
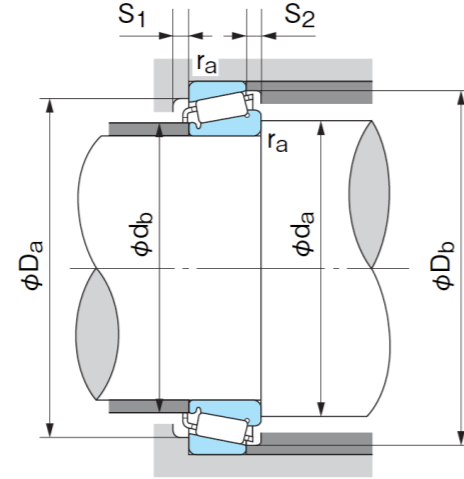
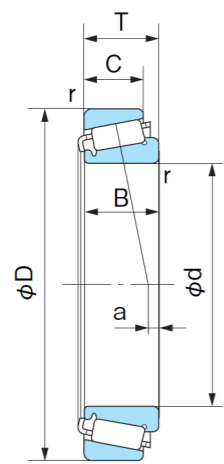


Boundary dimensions (mm)							Bearing No	(Ref.) ISO355 Dimension series	Basic dynamic load rating Cr (N)	Basic static load rating Cor (N)	Limiting speed (min-1)		Abutment and fillet dimensions (mm)								Load center (mm) a (1)	Constant e	Axial load factor		Mass(kg) Reference	Bearing No
d	D	T	B	C	Cone r (min)	Cup r (min)					Grease lubrication	Oil lubrication	da (min)	db (max)	Da (min)	Db (min)	S1 (min)	S2 (min)	Cone ra (max)	Cup ra (max)			Y1	Y0		
15	42	14.25	13	11	1	1	E30302J	2FB	21900	19200	10000	14000	20.5	22	36.5	38	2	3	1	1	4.3	0.29	2.11	1.16	0.098	E30302J
17	47	15.25	14	12	1	1	E30303J	2FB	27400	24500	9200	12000	22.5	25	40	42	2	3	1	1	4.3	0.29	2.11	1.16	0.133	E30303J
20	52	16.25	16	13	1.5	1.5	E30304DJ	-	-	-	-	-	-	-	-	-	-	-	-	-	-	-	-	-	-	E30304DJ
20	52	16.25	16	13	1.5	1.5	E30304J	-	36400	35200	8300	11000	28.5	28	44	47	2	3	1.5	1.5	3.0	0.30	2.00	1.10	0.179	E30304J
25	62	18.25	17	13	1.5	1.5	E30305DJ	7FB	39800	42500	5700	8000	33.5	34	47	58.5	3	5	1.5	1.5	-2.2	0.83	0.73	0.40	0.269	E30305DJ
25	62	18.25	17	15	1.5	1.5	E30305J	2FB	48200	46900	6800	9000	33.5	34	54	57	2	3	1.5	1.5	5.4	0.30	2.00	1.10	0.273	E30305J
30	72	20.75	19	14	1.5	1.5	E30306DJ	7FB	50900	54900	4900	6800	38.5	40	55	68	3	6.5	1.5	1.5	-2.9	0.83	0.73	0.04	0.400	E30306DJ
30	72	20.75	19	16	1.5	1.5	E30306J	2FB	59600	60100	5800	7700	38.5	40	62	66	3	4.5	1.5	1.5	5.1	0.31	1.90	1.05	0.411	E30306J
35	80	22.75	21	15	2	1.5	E30307DJ	7FB	63100	69100	4300	6000	45	44	66	76.5	3	7.5	2	1.5	-4.1	0.83	0.73	0.40	0.536	E30307DJ
35	80	22.75	21	18	2	1.5	E30307J	2FB	76200	78900	5200	6900	45	45	70	74	3	4.5	2	1.5	5.8	0.31	1.90	1.05	0.527	E30307J
40	90	25.25	23	17	2	1.5	E30308DJ	7FB	80500	90200	3800	5300	50	51	71	86	3	8	2	1.5	-4.6	0.83	0.73	0.40	0.757	E30308DJ
40	90	25.25	23	20	2	1.5	E30308J	2FB	90600	101000	4500	6100	50	52	77	82	3	5	2	1.5	5.4	0.35	1.74	0.96	0.757	E30308J
45	100	27.25	25	18	2	1.5	E30309DJ	7FB	95100	107000	3400	4700	55	56	79	96	3	9	2	1.5	-5.7	0.83	0.73	0.40	0.973	E30309DJ
45	100	27.25	25	22	2	1.5	E30309J	2FB	113000	128000	4100	5400	55	59	86	93	3	5	2	1.5	5.9	0.35	1.74	0.96	1.01	E30309J
50	110	29.25	27	19	2.5	2	E30310DJ	7FB	115000	133000	3100	4300	62	62	87	105	3	10	2	2	-5.8	0.83	0.73	0.40	1.25	E30310DJ
50	110	29.25	27	19	2.5	2	E30310J	7FB	115000	133000	3100	4300	62	62	87	105	3	10	2	2	-5.8	0.83	0.73	0.40	1.25	E30310J
55	120	31.5	29	21	2.5	2	E30311DJ	7FB	129000	148000	2900	4000	67	68	94	113	4	10.5	2	2	-6.9	0.83	0.73	0.40	1.59	E30311DJ
55	120	31.5	29	25	2.5	2	E30311J	2FB	149000	170000	3300	4500	67	71	104	111	4	6.5	2	2	6.0	0.35	1.74	0.96	1.65	E30311J
60	130	33.5	31	22	3	2.5	E30312DJ	7FB	153000	179000	2600	3700	74	73	103	124	4	11.5	2.5	2	-7.3	0.83	0.73	0.40	2.01	E30312DJ
60	130	33.5	31	26	3	2.5	E30312J	2FB	173000	201000	3100	4100	74	77	112	120	4	7.5	2.5	2	6.6	0.35	1.74	0.96	2.08	E30312J
65	140	36	33	23	3	2.5	E30313DJ	7GB	176000	209000	2400	3400	79	79	111	133	4	13	2.5	2	-8.3	0.83	0.73	0.40	2.44	E30313DJ
65	140	36	33	28	3	2.5	E30313J	2GB	204000	239000	2800	3800	79	83	122	130	4	8	2.5	2	6.7	0.35	1.74	0.96	2.56	E30313J
70	150	38	35	25	3	2.5	E30314DJ	7GB	197000	235000	2300	3200	84	84	118	142	4	13	2.5	2	-9.1	0.83	0.73	0.40	2.97	E30314DJ
70	150	38	35	30	3	2.5	E30314J	2GB	230000	273000	2600	3500	84	89	130	140	4	8	2.5	2	7.5	0.35	1.74	0.96	3.08	E30314J
75	160	40	37	26	3	2.5	E30315DJ	-	222000	266000	2100	2900	89	91	127	151	6	14	2.5	2	-8.8	0.81	0.74	0.41	3.47	E30315DJ
75	160	40	37	31	3	2.5	E30315J	2GB	250000	297000	2500	3300	89	95	139	149	4	9	2.5	2	8.1	0.35	1.73	0.95	3.52	E30315J
80	170	42.5	39	27	3	2.5	E30316DJ	7GB	236000	282000	2000	2800	94	97	134	159	6	15.5	2.5	2	-11.0	0.83	0.73	0.40	4.12	E30316DJ
80	170	42.5	39	33	3	2.5	E30316J	2GB	294000	294000	2300	3100	94	102	148	159	4	9.5	2.5	2	7.7	0.35	1.73	0.96	4.46	E30316J
85	180	44.5	41	34	4	3	E30317J	-	305000	367000	2200	2900	103	107	156	167	5	10.5	3	2.5	8.7	0.35	1.73	0.95	4.97	E30317J
90	190	46.5	43	30	4	3	E30318DJ	-	282000	336000	1700	2400	108	109	151	179	6	16.5	3	2.5	-12.6	0.81	0.74	0.41	5.60	E30318DJ
95	200	49.5	45	32	4	3	E30319DJ	-	319000	391000	1700	2300	113	113	157	187	6	17.5	3	2.5	-13.2	0.81	0.73	0.40	6.68	E30319DJ
95	200	49.5	45	32	4	3	30319	-	317000	368000	2000	2600	113	118	172	186	5	11.5	3	2.5	9.7	0.35	1.73	0.95	6.32	30319
100	215	51.5	47	34	4	3	E30320D	-	318000	374000	1500	2100	118	121	183	204	5	17	3	2.5	-14.4	0.81	0.74	0.41	8.02	30320D
100	215	51.5	47	39	4	3	30320	-	344000	400000	1800	2400	118	127	184	200	6	12.5	3	2.5	10.1	0.35	1.73	0.95	7.76	30320
110	240	54.5	50	42	4	3	E30322J	-	481000	590000	1600	2100	128	141	206	222	8	12.5	3	2.5	8.2	0.35	1.74	0.96	11.4	E30322J

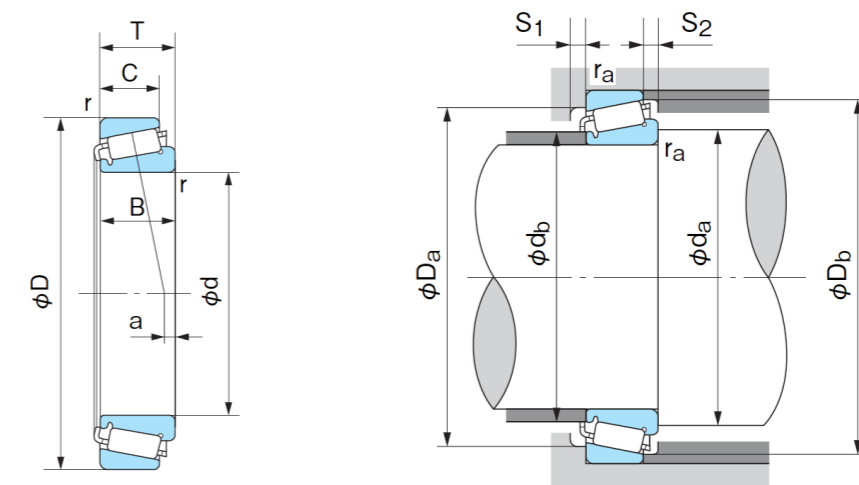
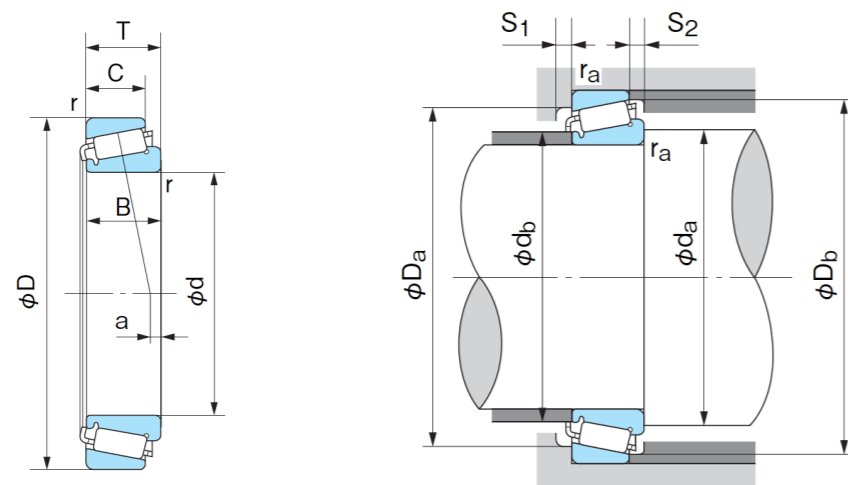


Boundary dimensions (mm)							Bearing No	(Ref.) ISO355 Dimension series	Basic dynamic load rating Cr (N)	Basic static load rating Cor (N)	Limiting speed (min ⁻¹)		Abutment and fillet dimensions (mm)						Load center (mm) a (1)	Constant e	Axial load factor		Mass(kg) Reference	Bearing No		
d	D	T	B	C	Cone r (min)	Cup r (min)					Grease lubrication	Oil lubrication	da (min)	db (max)	Da (min)	Db (min)	S1 (min)	S2 (min)			Cone ra (max)	Cup ra (max)			Y1	Y0
20	42	15	15	12	0.6	0.6	E32004J	3CC	27300	31500	9300	13000	24.5	25	35	39	3	3	0.6	0.6	4.5	0.37	1.6	0.88	0.102	E32004J
25	47	15	15	11.5	0.6	0.6	E32005J	4CC	30200	37700	8300	11000	29.5	30	40	44	3	3.5	0.6	0.6	3.2	0.43	1.39	0.77	0.118	E32005J
26	47	15	15	11.5	0.6	0.6	E32005JS	4CC	30200	37700	8300	11000	29.5	30	40	44	3	3.5	0.6	0.6	3.2	0.43	1.39	0.77	0.118	E32005JS
30	55	17	17	13	1	1	E32006J	4CC	38200	48000	7000	9400	35.5	35	47	52	3	4	1	1	3.4	0.43	1.39	0.77	0.177	E32006J
35	62	18	18	14	1	1	E32007J	4CC	45500	59400	6200	8200	40.5	40	54	59	4	4	1	1	2.9	0.45	1.32	0.73	0.231	E32007J
40	68	19	19	14.5	1	1	E32008J	3CD	53500	71400	5600	7400	45.5	46	60	65	4	4.5	1	1	3.9	0.38	1.58	0.87	0.282	E32008J
45	75	20	20	15.5	1	1	E32009J	3CC	62800	86500	5000	6600	50.5	51	67	72	4	4.5	1	1	3.5	0.39	1.53	0.84	0.354	E32009J
50	80	20	20	15.5	1	1	E32010J	3CC	65700	94500	4600	6100	55.5	56	72	77	4	4.5	1	1	2.3	0.42	1.42	0.78	0.389	E32010J
50	80	20	20	15.5	-	-	E32010JA1*	3CC	65700	94500	4600	6100	-	-	-	-	-	-	-	-	2.3	0.42	1.42	0.78	0.389	E32010JA1
55	90	23	23	17.5	1.5	1.5	E32011J	3CC	84600	121000	4100	5500	63.5	63	81	86	4	5.5	1.5	1.5	3.2	0.41	1.48	0.81	0.569	E32011J
60	95	23	23	17.5	1.5	1.5	E32012J	4CC	86100	127000	3900	5200	68.5	67	85	91	4	5.5	1.5	1.5	2	0.43	1.39	0.77	0.621	E32012J
65	100	23	23	17.5	1.5	1.5	E32013J	4CC	90000	137000	3600	4800	73.5	72	90	97	4	5.5	1.5	1.5	0.5	0.46	1.31	0.72	0.664	E32013J
70	110	25	25	19	1.5	1.5	E32014J	4CC	108000	163000	3300	4400	78.5	78	98	105	5	6	1.5	1.5	1.4	0.43	1.38	0.76	0.884	E32014J
75	115	25	25	19	1.5	1.5	E32015J	4CC	110000	169000	3100	4200	83.5	83	103	110	5	6	1.5	1.5	-0.1	0.46	1.31	0.72	0.93	E32015J
80	125	29	29	22	1.5	1.5	E32016J	3CC	147000	225000	2900	3900	88.5	89	112	120	6	7	1.5	1.5	2.3	0.42	1.42	0.78	1.32	E32016J
85	130	29	29	22	1.5	1.5	E32017J	4CC	150000	234000	2800	3700	93.5	94	117	125	6	7	1.5	1.5	1	0.44	1.36	0.75	1.38	E32017J
90	140	32	32	24	2	1.5	E32018J	3CC	178000	276000	2600	3500	100	100	125	134	6	8	2	1.5	2.2	0.42	1.42	0.78	1.8	E32018J
95	145	32	32	24	2	1.5	E32019J	4CC	182000	287000	2500	3300	105	105	130	140	6	8	2	1.5	0.8	0.44	1.36	0.75	1.88	E32019J
100	150	32	32	24	2	1.5	E32020J	4CC	185000	298000	2400	3200	110	109	134	144	6	8	2	1.5	-0.6	0.46	1.31	0.72	1.95	E32020J
105	160	35	35	26	2.5	2	E32021J	4DC	215000	344000	2200	3000	117	116	143	154	6	9	2	2	0.5	0.44	1.35	0.74	2.45	E32021J
110	170	38	38	29	2.5	2	E32022J	4DC	248000	395000	2100	2800	122	122	152	163	7	9	2	2	1.9	0.43	1.39	0.77	3.12	E32022J
120	180	38	38	29	2.5	2	E32024J	4DC	258000	427000	2000	2600	132	131	161	173	7	9	2	2	-0.8	0.46	1.31	0.72	3.34	E32024J
130	200	45	45	34	2.5	2	E32026J	4EC	340000	563000	1800	2300	142	144	178	192	8	11	2	2	2.1	0.43	1.38	0.76	5.04	E32026J
140	210	45	45	34	2.5	2	E32028J	4DC	346000	585000	1700	2200	152	153	187	202	8	11	2	2	-0.6	0.46	1.31	0.72	5.28	E32028J
150	225	48	48	36	2.5	2	E32030J	4EC	391000	668000	1500	2000	164	164	200	216	8	12	2.5	2	-0.8	0.46	1.31	0.72	6.41	E32030J
160	240	51	51	38	3	2.5	E32032J	4EC	440000	758000	1400	1900	174	175	213	231	8	13	2.5	2	-1.1	0.46	1.31	0.72	7.75	E32032J
170	260	57	57	43	3	2.5	E32034J	4EC	526000	905000	1300	1700	184	187	230	249	10	14	2.5	2	1.2	0.44	1.35	0.74	10.5	E32034J
180	280	64	64	48	3	2.5	E32036J	4EC	644000	1100000	1200	1600	194	199	247	268	10	16	2.5	2	4.5	0.42	1.42	0.78	14.1	E32036J
190	290	64	64	48	3	2.5	E32038J	4FD	654000	1170000	1100	1500	204	209	257	279	10	16	2.5	2	1.1	0.44	1.36	0.75	14.7	E32038J

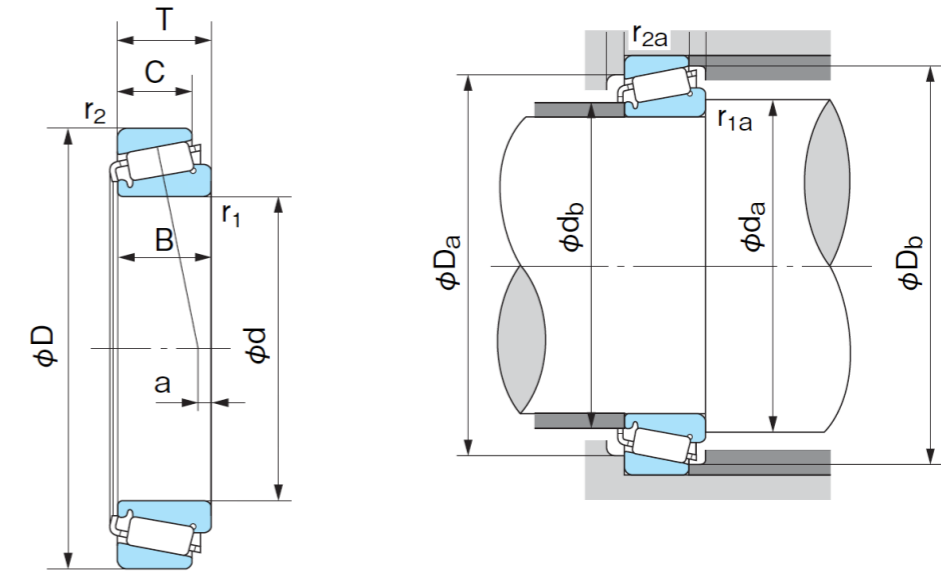
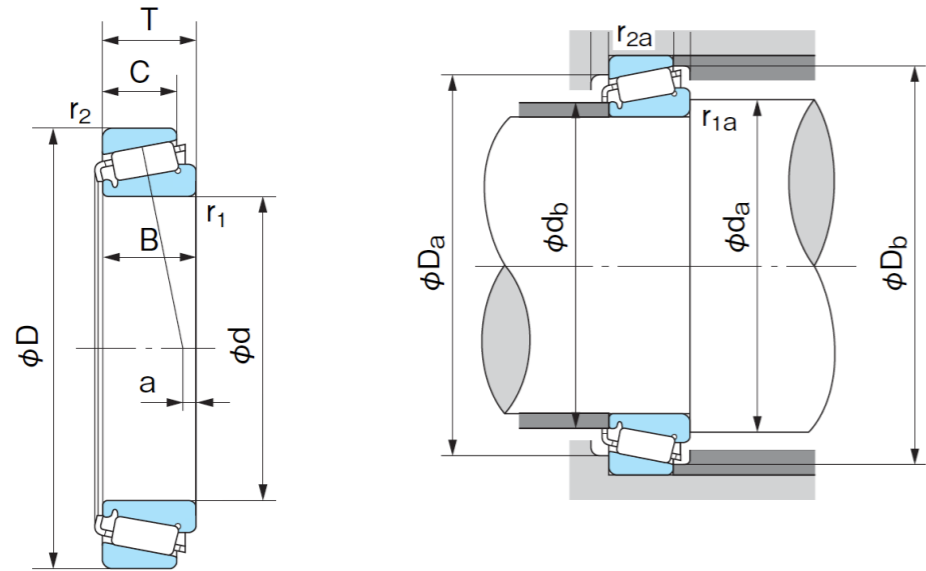
* Tapered Roller (Automotive).



Boundary dimensions (mm)							Bearing No.	(Ref.) ISO355 Dimension series	Basic dynamic load rating Cr (N)	Basic static load rating Cor (N)	Limiting speed (min-1)		Abutment and fillet dimensions (mm)								Load center (mm) a (1)	Constant e	Axial load factor		Mass(kg) Reference	Bearing No.
d	D	T	B	C	Cone r (min)	Cup r (min)					Grease lubrication	Oil lubrication	da (min)	db (max)	Da (min)	Db (min)	S1 (min)	S2 (min)	Cone ra (max)	Cup ra (max)			Y1	Y0		
20	47	19.25	18	15	1	1	E32204J	2DD	32500	34800	8700	12000	25.5	27	39	43	2	4	1	1	6.2	0.35	1.73	0.95	0.156	E32204J
25	52	19.25	18	16	1	1	E32205J	2CD	39800	44800	7900	11000	30.5	31	43	48	2	4	1	1	5.7	0.36	1.67	0.92	0.188	E32205J
30	62	21.25	20	17	1	1	E32206J	3DC	50700	57900	6500	8700	35.5	37	52	58	2	4	1	1	5.3	0.37	1.60	0.88	0.292	E32206J
35	72	24.25	23	19	1.5	1.5	E32207J	3DC	69600	82400	5600	7500	43.5	43	61	67	3	5	1.5	1.5	6.0	0.37	1.60	0.88	0.453	E32207J
40	80	24.75	23	19	1.5	1.5	E32208J	3DC	77700	90800	5000	6600	48.5	48	68	75	3	5.5	1.5	1.5	5.3	0.37	1.60	0.88	0.554	E32208J
45	85	24.75	23	19	1.5	1.5	E32209J	3DC	78300	94100	4600	6100	53.5	53	73	81	3	5.5	1.5	1.5	3.8	0.40	1.48	0.81	0.587	E32209J
50	90	24.75	23	19	1.5	1.5	E32210J	3DC	85000	105000	4300	5700	58.5	58	78	85	3	5.5	1.5	1.5	4.1	0.42	1.43	0.79	0.643	E32210J
55	100	26.75	25	21	2	1.5	E32211J	3DC	107000	133000	3900	5200	65	63	87	95	4	5.5	2	1.5	3.7	0.40	1.48	0.81	0.863	E32211J
60	110	29.75	28	24	2	1.5	E32212J	3EC	132000	167000	3500	4700	70	69	95	104	4	5.5	2	1.5	4.6	0.40	1.48	0.81	1.19	E32212J
65	120	32.75	31	27	2	1.5	E32213J	3EC	157000	203000	3200	4300	75	76	104	115	4	5.5	2	1.5	6.1	0.40	1.48	0.82	1.58	E32213J
70	125	33.25	31	27	2	1.5	E32214J	3EC	169000	225000	3100	4100	80	80	108	119	4	6	2	1.5	4.0	0.42	1.43	0.79	1.71	E32214J
75	130	33.25	31	27	2	1.5	E32215J	4DC	174000	234000	2900	3900	85	85	114	123	4	6	2	1.5	3.0	0.44	1.38	0.76	1.77	E32215J
80	140	35.25	33	28	2.5	2	E32216J	3EC	203000	271000	2700	3600	92	90	122	134	4	7	2	2	3.8	0.42	1.43	0.79	2.17	E32216J
85	150	38.5	36	30	2.5	2	E32217J	3EC	232000	315000	2500	3300	97	96	130	142	5	8.5	2	2	4.3	0.42	1.43	0.79	2.8	E32217J
90	160	42.5	40	34	2.5	2	E32218J	3FC	263000	362000	2400	3200	102	102	138	152	5	8.5	2	2	5.5	0.42	1.43	0.79	3.47	E32218J
95	170	45.5	43	37	3	2.5	E32219J	3FC	311000	439000	2200	3000	109	108	145	161	5	8.5	2.5	2	6.6	0.42	1.43	0.79	4.34	E32219J
100	180	49	46	39	3	2.5	E32220J	3FC	347000	495000	2100	2800	114	114	154	171	5	10	2.5	2	6.9	0.42	1.43	0.79	5.21	E32220J
105	190	53	50	43	3	2.5	E32221J	3FC	392000	567000	2000	2700	119	120	161	180	6	10	2.5	2	8.2	0.42	1.43	0.79	6.37	E32221J
110	200	56	53	46	3	2.5	E32222J	3FC	438000	640000	1900	2500	124	126	170	190	6	10	2.5	2	9.3	0.42	1.43	0.79	7.45	E32222J
120	215	61.5	58	50	3	2.5	E32224J	4FD	470000	691000	1700	2300	134	136	181	204	7	11.5	2.5	2	9.9	0.44	1.38	0.76	9.04	E32224J
130	230	67.75	64	54	4	3	E32226J	4FD	554000	830000	1600	2200	148	146	193	219	7	13.5	3	2.5	11.7	0.44	1.38	0.76	11.5	E32226J
140	250	71.75	68	58	4	3	E32228J	4FD	636000	961000	1500	2000	158	158	210	238	9	13.5	3	2.5	11.7	0.44	1.39	0.76	14.7	E32228J
150	270	77	73	60	4	3	E32230J	4GD	704000	1070000	1300	1800	168	170	226	254	8	17	3	2.5	11.8	0.44	1.38	0.76	18.2	E32230J
160	290	84	80	67	4	3	E32232J	4GD	795000	1210000	1200	1700	178	182	242	274	10	17	3	2.5	13.7	0.44	1.38	0.76	23.2	E32232J



Boundary dimensions (mm)							Bearing No.	(Ref.) ISO355 Dimension series	Basic dynamic load rating Cr (N)	Basic static load rating Cor (N)	Limiting speed (min ⁻¹)		Abutment and fillet dimensions (mm)							Load center (mm) a (1)	Constant e	Axial load factor		Mass(kg) Reference	Bearing No.	
d	D	T	B	C	Cone r (min)	Cup r (min)					Grease lubrication	Oil lubrication	da (min)	db (max)	Da (min)	Db (min)	S1 (min)	S2 (min)	ra (max)			Y1	Y0			
20	52	22.25	21	18	1.5	1.5	E32304J	2FD	45100	46700	8400	11000	28.5	27	43	47	3	4	1.5	1.5	7.8	0.30	2.00	1.10	0.239	E32304J
25	62	25.25	24	20	1.5	1.5	E32305J	2FD	61200	64100	6900	9100	33.5	33	52	57	3	5	1.5	1.5	8.6	0.30	2.00	1.10	0.386	E32305J
30	72	28.75	27	23	1.5	1.5	E32306J	2FD	82200	91600	5900	7900	38.5	39	59	66	3	5.5	1.5	1.5	9.8	0.31	1.90	1.05	0.588	E32306J
35	80	32.75	31	25	2	1.5	E32307J	2FE	101000	114000	5300	7000	45	44	66	74	3	7.5	2	1.5	12.2	0.31	1.90	1.05	0.776	E32307J
40	90	35.25	33	27	2	1.5	E32308J	2FD	116000	139000	4600	6200	50	50	73	82	3	8	2	1.5	10.9	0.35	1.74	0.96	1.06	E32308J
45	100	38.25	36	30	2	1.5	E32309J	2FD	146000	180000	4100	5500	55	56	82	93	3	8	2	1.5	11.4	0.35	1.74	0.96	1.43	E32309J
50	110	42.25	40	33	2.5	2	E32310J	2FD	176000	220000	3700	5000	62	62	90	102	3	9	2	2	12.9	0.35	1.74	0.96	1.89	E32310J
55	120	45.5	43	35	2.5	2	E32311J	2FD	200000	250000	3400	4500	67	68	99	111	4	10.5	2	2	13.1	0.35	1.74	0.96	2.38	E32311J
60	130	48.5	46	37	3	2.5	E32312J	2FD	221000	275000	3100	4200	74	74	107	120	4	11.5	2.5	2	16.2	0.35	1.74	0.96	2.92	E32312J
65	140	51	48	39	3	2.5	E32313J	2GD	276000	357000	2900	3900	79	80	117	130	4	12	2.5	2	16.3	0.35	1.74	0.96	3.64	E32313J
70	150	54	51	42	3	2.5	E32314J	2GD	317000	414000	2700	3600	84	86	125	140	4	12	2.5	2	16.6	0.35	1.74	0.96	4.50	E32314J
75	160	58	55	45	3	2.5	E32315J	2GD	363000	481000	2500	3300	89	91	133	149	4	13	2.5	2	18	0.35	1.74	0.96	5.41	E32315J
80	170	61.5	58	48	3	2.5	E32316J	2GD	378000	497000	2300	3100	94	98	142	159	4	13.5	2.5	2	19.5	0.35	1.73	0.95	6.32	E32316J
90	190	67.5	64	53	4	3	E32318J	2DG	461000	461000	2100	2800	108	108	157	177	5	14.5	3	2.5	20.9	0.35	1.74	0.96	8.61	E32318J



Boundary dimensions (mm)							Bearing No.		Basic load rating		Limiting speed (min ⁻¹)		Abutment and fillet dimensions (mm)						Load center (mm) a (1)	Constant e	Axial load factor		Mass(kg) Reference		Bearing No.	
d	D	T	B	C	r1 (min)	r2 (min)	Cone	Cup	Cr (kN)	Cor (kN)	Grease	Oil	da	db	Da	Db	r1a	r2a			Y1	Y0	Cone	Cup	Cone	Cup
15.875	42.863	14.288	14.288	9.525	1.6	1.6	H-11590	H-11520	17.8	17.7	10000	14000	24.5	22.5	34.5	39.5	1.6	1.6	1.2	0.70	0.85	0.47	0.06	0.04	H-11590	H-11520
28.575	68.263	22.225	22.225	17.463	0.80	1.60	H-02474	H-02420	51.0	61.1	6000	8000	36.5	36.0	59.0	63.0	0.80	1.60	5.1	0.42	1.44	0.79	0.252	0.150	H-02474	H-02420
19.050	49.225	18.034	19.050	14.288	1.20	1.20	H-09067	H-09195	37.7	37.7	8900	12000	25.5	24.0	42.0	44.5	1.20	1.20	7.4	0.27	2.26	1.24	0.114	0.065	H-09067	H-09195
	45.237	15.494	16.637	12.065	1.20	1.20	H-LM11949	H-LM11910	29.4	30.1	9400	13000	25.0	23.5	39.5	41.5	1.20	1.20	5.5	0.30	2.00	1.10	0.081	0.044	H-LM11949	H-LM11910
34.925	65.088	18.034	18.288	13.970	SP	1.20	H-LM48548	H-LM48510	48.0	58.5	6000	8000	46.0	40.0	58.0	61.0	SP	1.20	3.7	0.38	1.59	0.88	0.164	0.086	H-LM48548	H-LM48510

