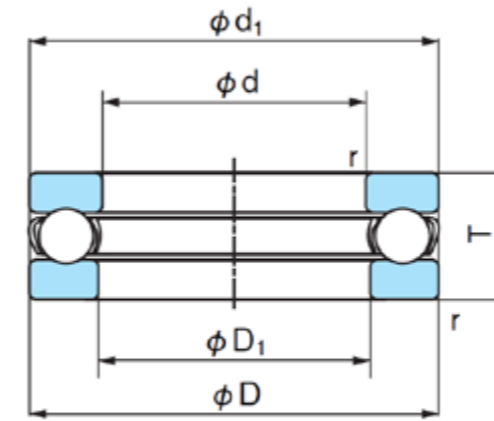
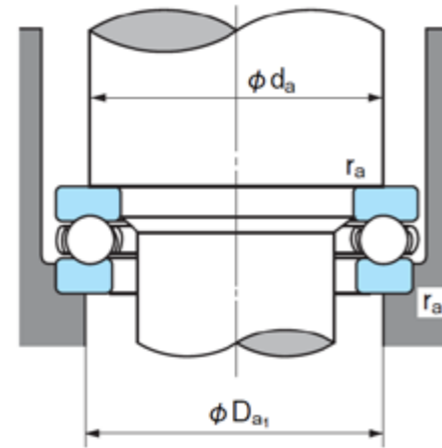
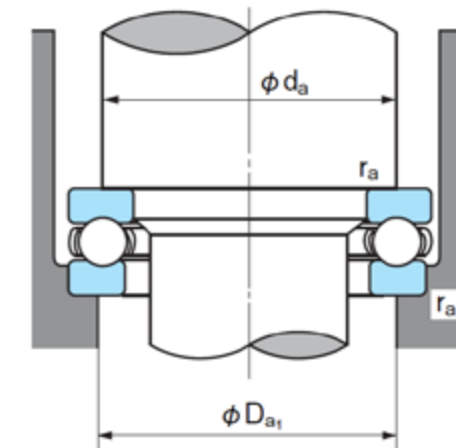


Flat back-face type



Flat back-face type



d		Boundary dimensions (mm)			Bearing No.	Basic dynamic load rating Ca (N)	Basic Static Load Rating Coa (N)	Limiting Speed (min <sup>-1</sup> )		Dimensions (mm)		Abutment and fillet dimensions (mm)			Mass (kg) Reference	Bearing No.
inch	mm	D	T	r (min)				Grease	Oil	D1 (min)	d1 (max)	da (min)	Da (max)	ra (max)		
5/8	15.875	35.719	15.875	0.8	0-5	19400	28300	4100	6200	16.272	34.925	27.8	23.8	0.8	0.086	0-5
3/4	19.05	38.894	15.875	0.8	0-6	21400	34500	4000	6000	19.447	38.1	27.8	23.8	0.8	0.095	0-6
7/8	22.225	42.069	15.875	0.8	0-7	21900	37500	3800	5800	22.622	41.275	34	30	0.8	0.1	0-7
1	25.4	45.244	15.875	1.6	0-8	22500	41000	3700	5500	25.797	44.45	37	33	0.8	0.11	0-8
1 1/8	28.575	48.419	15.875	1.6	0-9	24100	47000	3600	5400	28.972	47.625	40	37	0.8	0.128	0-9
1 1/4	31.75	53.181	18.256	1.6	0-10	27900	54500	3200	4800	32.147	52.388	45	40	0.8	0.164	0-10
1 3/8	34.925	56.356	18.256	1.6	0-11	28600	58000	3100	4600	35.322	55.562	48	43	0.8	-	0-11
1 1/2	38.1	59.531	18.256	1.6	0-12	30500	66000	3000	4500	38.497	58.738	51	47	1	0.2	0-12
1 5/8	41.275	62.706	18.256	1.6	0-13	26700	63000	2900	4400	41.672	61.912	54	50	1	0.21	0-13
1 3/4	44.45	68.262	19.05	1.6	0-14	32500	77500	2700	4100	44.847	67.469	59	54	1	0.26	0-14
1 7/8	47.625	71.438	19.05	1.6	0-15	37500	89000	2700	4000	48.021	70.644	62	57	1	0.285	0-15
2	50.8	75.406	19.05	2.4	0-16	38000	94000	2600	3900	51.594	74.613	66	61	1	0.3	0-16
2 1/8	53.975	81.756	22.225	2.4	0-17	49500	118000	2300	3500	54.769	80.962	71	65	1.6	0.405	0-17
2 1/4	57.15	84.931	22.225	2.4	0-18	50500	125000	2300	3400	57.944	84.138	74	68	1.6	0.45	0-18