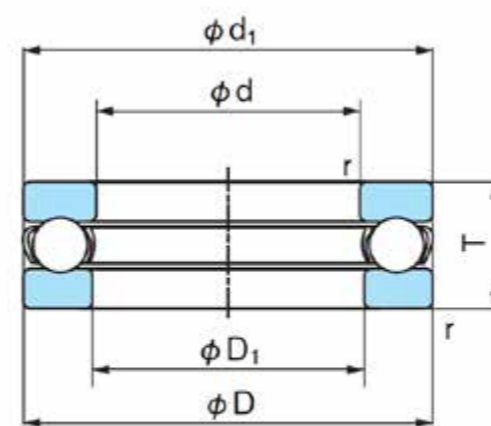
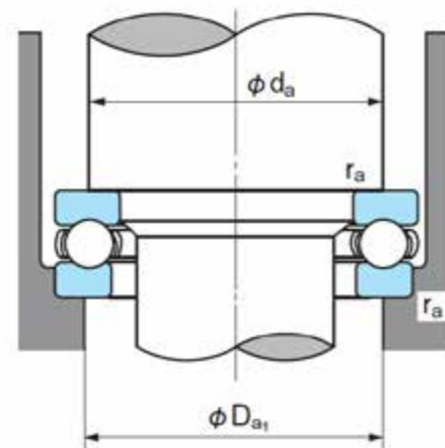
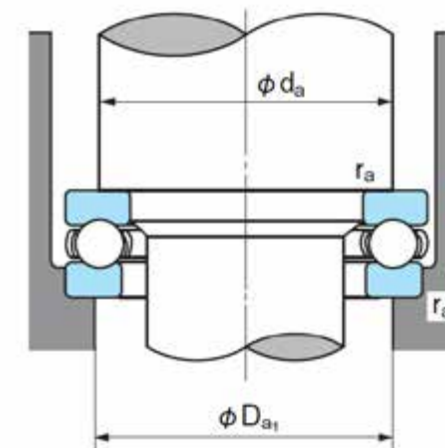


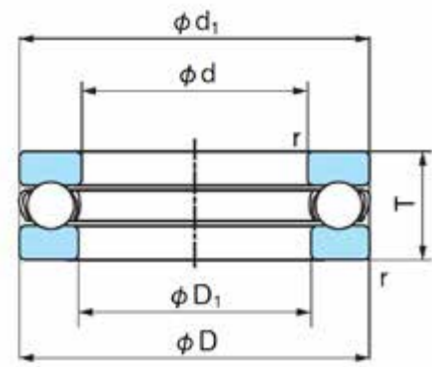
Flat back-face type



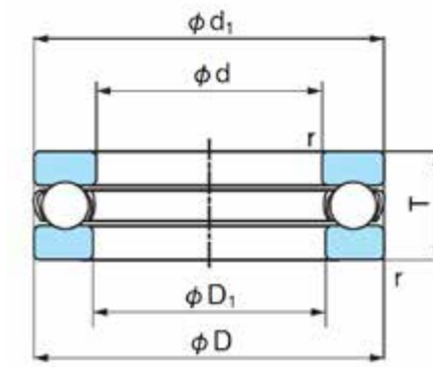
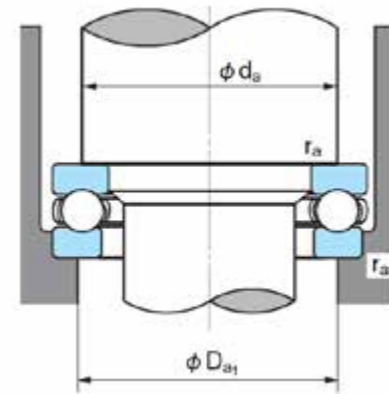
Flat back-face type



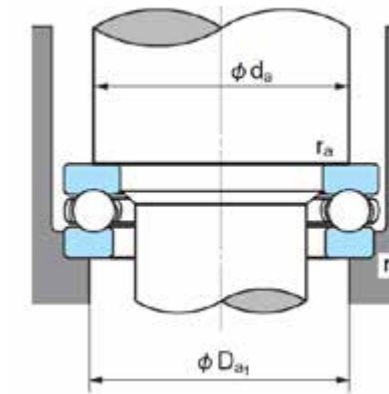
Boundary dimensions (mm)				Bearing No	Basic dynamic load rating Ca (N)	Basic static load rating Coa (N)	Limiting speed (min-1)			Dimensions (mm)		Abutment and fillet dimensions (mm)			Mass (kg) Reference	Bearing No
d	D	T	r (min)				Grease lubrication	Oil lubrication		D1 (min)	d1 (max)	da (min)	Da1 (max)	ra (max)	Flat back face type	
10	24	9	0.3	51100	10000	14000	6800	10000	11	24	18	16	0.3	0.020	51100	
12	26	9	0.3	51101	10300	15400	6500	9800	13	26	20	18	0.3	0.022	51101	
15	28	9	0.3	51102	10500	16800	6200	9400	16	28	23	20	0.3	0.024	51102	
17	30	9	0.3	51103	10800	18200	6000	9100	18	30	25	22	0.3	0.028	51103	
20	35	10	0.3	51104	14300	24700	5300	8000	21	35	29	26	0.3	0.040	51104	
25	42	11	0.6	51105	19500	37000	4600	6900	26	42	35	32	0.6	0.059	51105	
30	47	11	0.6	51106	20400	42000	4300	6500	32	47	40	37	0.6	0.068	51106	
35	52	12	0.6	51107	20400	44500	4000	6000	37	52	45	42	0.6	0.085	51107	
40	60	13	0.6	51108	26900	63000	3500	5300	42	60	52	48	0.6	0.120	51108	
45	65	14	0.6	51109	27800	69000	3300	4900	47	65	57	53	0.6	0.150	51109	
50	70	14	0.6	51110	28800	75500	3100	4700	52	70	62	58	0.6	0.160	51110	
55	78	16	0.6	51111	35000	93000	2800	4200	57	78	69	64	0.6	0.240	51111	
60	85	17	1	51112	41500	113000	2600	3900	62	85	75	70	1	0.290	51112	
65	90	18	1	51113	41500	117000	2400	3700	67	90	80	75	1	0.340	51113	
70	95	18	1	51114	43000	127000	2400	3600	72	95	85	80	1	0.360	51114	
75	100	19	1	51115	44500	136000	2200	3400	77	100	90	85	1	0.420	51115	
80	105	19	1	51116	44500	141000	2200	3300	82	105	95	90	1	0.430	51116	
85	110	19	1	51117	46000	150000	2100	3200	87	110	100	95	1	0.460	51117	
90	120	22	1	51118	59500	190000	1900	2900	92	120	108	102	1	0.680	51118	
100	135	25	1	51120	85000	268000	1700	2500	102	135	121	114	1	0.990	51120	
120	155	25	1	51124	89000	305000	1600	2400	122	155	141	134	1	1.16	51124	
140	180	31	1	51128	107000	375000	1300	1900	142	178	164	156	1	2.03	51128	



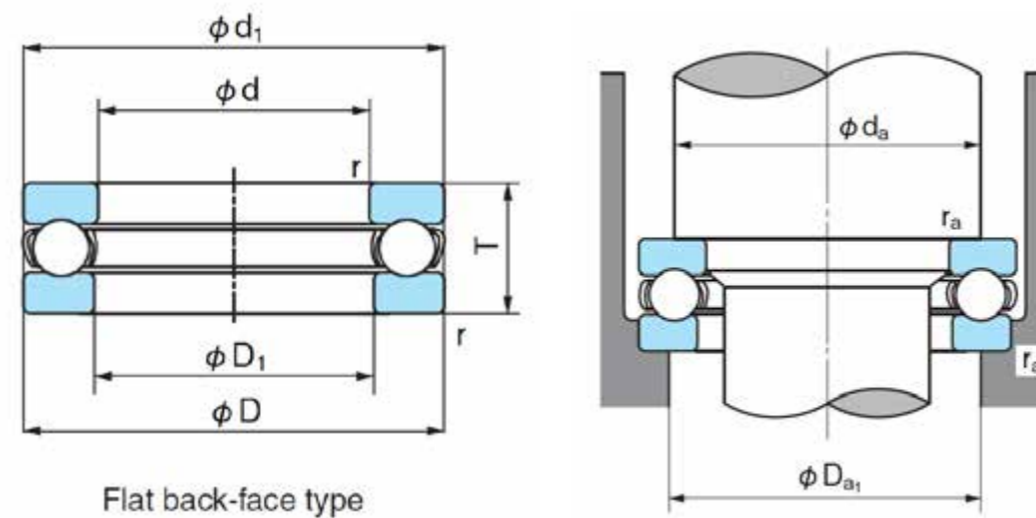
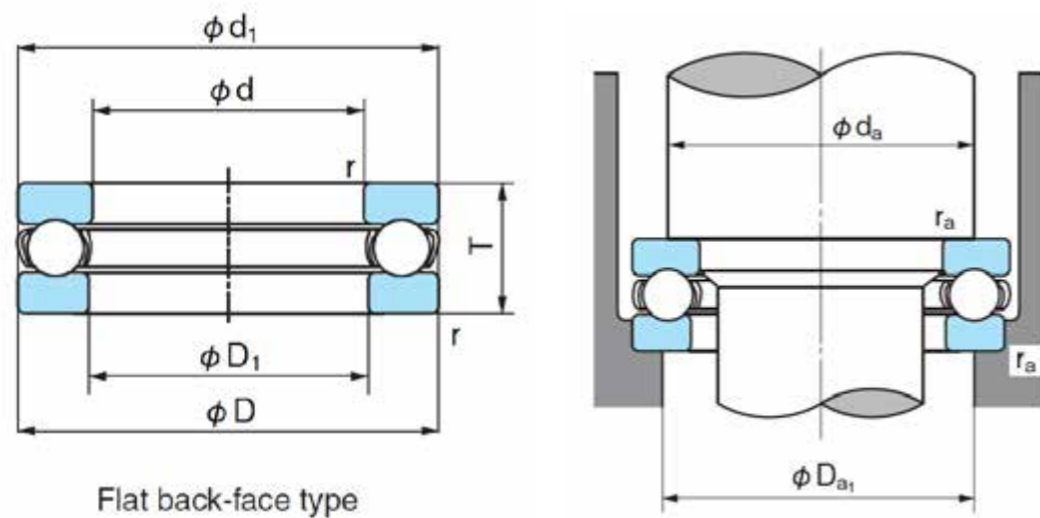
Flat back-face type



Flat back-face type



Boundary dimensions (mm)				Bearing No	Basic dynamic load rating C_a (N)	Basic static load rating C_{0a} (N)	Limiting speed (min ⁻¹)		Dimensions (mm)		Abutment and fillet dimensions (mm)			Mass (kg) Reference	Bearing No
d	D	T	r (min)				Grease lubrication	Oil lubrication	D1 (min)	d1 (max)	d _a (min)	D _{a1} (max)	r _a (max)	Flat backface type	
10	26	11	0.6	51200	12700	17100	5900	8800	12	26	20	16	0.6	0.030	51200
12	28	11	0.6	51201	13200	19000	5600	8500	14	28	22	18	0.6	0.034	51201
15	32	12	0.6	51202	16600	24800	5100	7600	17	32	25	22	0.6	0.046	51202
17	35	12	0.6	51203	17100	27300	4800	7300	19	35	28	24	0.6	0.053	51203
20	40	14	0.6	51204	22200	37500	4200	6300	22	40	32	28	0.6	0.082	51204
25	47	15	0.6	51205	27800	50500	3700	5600	27	47	38	34	0.6	0.120	51205
30	52	16	0.6	51206	29300	58000	3400	5200	32	52	43	39	0.6	0.150	51206
35	62	18	1	51207	39000	78000	2900	4400	37	62	51	46	1	0.220	51207
40	68	19	1	51208	47000	98500	2700	4100	42	68	57	51	1	0.270	51208
45	73	20	1	51209	47500	105000	2600	3900	47	73	62	56	1	0.320	51209
50	78	22	1	51210	48500	112000	2400	3600	52	78	67	61	1	0.390	51210
55	90	25	1	51211	69500	159000	2100	3100	57	90	76	69	1	0.610	51211
60	95	26	1	51212	73500	179000	2000	3000	62	95	81	74	1	0.690	51212
65	100	27	1	51213	75000	189000	1900	2800	67	100	86	79	1	0.770	51213
70	105	27	1	51214	76000	199000	1800	2800	72	105	91	84	1	0.810	51214
85	125	31	1	51217	95500	264000	1600	2400	88	125	109	101	1	1.29	51217
100	150	38	1.1	51220	146000	410000	1300	1900	103	150	130	120	1	2.36	51220
110	160	38	1.1	51222	152000	450000	1200	1900	113	160	140	130	1	2.57	51222



Boundary dimensions (mm)				Bearing No	Basic dynamic load rating Ca (N)	Basic static load rating Coa (N)	Limiting speed (min ⁻¹)		Dimensions (mm)		Abutment and fillet dimensions (mm)			Mass (kg) Reference	Bearing No
d	D	T	r (min)				Grease lubrication	Oil lubrication	D1 (min)	d1 (max)	da (min)	Da1 (max)	ra (max)	Flat backface type	
25	52	18	1	51305	35500	61500	3200	4900	27	52	41	36	1	0.180	51305
30	60	21	1	51306	42500	78500	2800	4200	32	60	48	42	1	0.270	51306
35	68	24	1	51307	55500	105000	2400	3700	37	68	55	48	1	0.390	51307
40	78	26	1	51308	69000	135000	2200	3300	42	78	63	55	1	0.550	51308
45	85	28	1	51309	80000	163000	2000	3000	47	85	69	61	1	0.690	51309
50	95	31	1.1	51310	96500	202000	1800	2700	52	95	77	68	1	1.00	51310
60	110	35	1.1	51312	123000	267000	1600	2400	62	110	90	80	1	1.43	51312
65	115	36	1.1	51313	127000	287000	1500	2300	67	115	95	85	1	1.57	51313
90	155	50	1.5	51318	213000	525000	1100	1600	93	155	129	116	1.5	3.88	51318