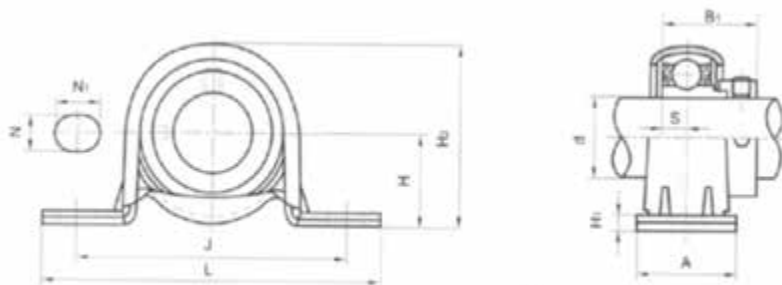


## PP200 Pressed Metal Series

### 2-Bolt Pillow Block Housing

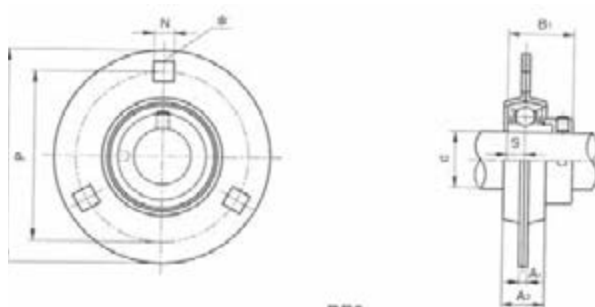


PP2

Part No.	Dimensions (mm)											N.W. (kg)
	d	H	L	J	A	N	N1	H1	H2	S	B1	
PP203	17	22.2	86	68	25	9	12.7	3.2	43.8	6	22	0.06
PP204	20	25.4	98	76	32	9	12.7	3.2	50.5	7	25	0.08
PP205	25	28.6	108	86	32	11	14.3	4	56.6	7.5	27	0.1
PP206	30	33.3	117	95	38	11	14.3	4	66.3	8	30	0.15
PP207	35	39.7	129	106	23.8	11	14.3	5	78	8.5	32	0.2
PP208	40	43.7	148	120	24.5	11	14.3	5	86.5	9	34	0.3
PP209	45	46.8	156	128	31.5	11	14.3	6	93.5	10.2	41.2	0.3

## PF200 Pressed Metal Series

### Flanged Round Housing



PF2

Part No.	Dimensions (mm)								Bolts	N.W. (kg)
	d	L	P	A1	N	A2	B1	S		
PF203	17	81	63.5	4	7.1	14	28.6	6.5	3	0.11
PF204 (G)	20	90	71.5	4	9	16	31	7.5	3	0.13
PF205 (G)	25	95	76	4	9	18	33	7.5	3	0.14
PF206 (G)	30	113	90.5	5	11	19	36	9	3	0.25
PF207 (G)	35	122	100	5	11	20	38	9.6	3	0.4
PF208 (G)	40	148	119	7	13.5	23	40.5	8.6	4	0.5
PF209 (G)	45	150	120	7	13.5	23	41.2	9.1	4	0.6

(G) = Greaseable series also available