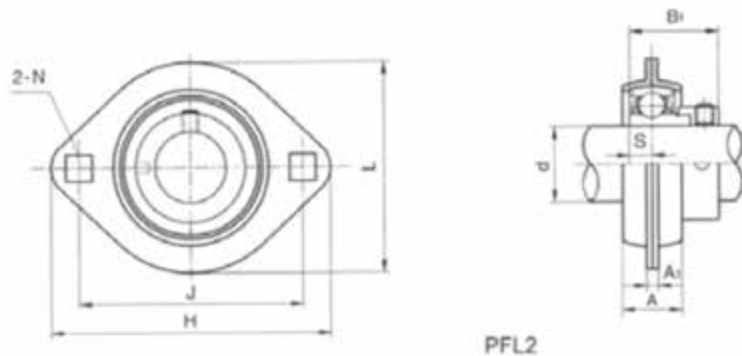


PFL200 Pressed Metal Series

2-Bolt Oval Flanged Housing



Part No.	Dimensions (mm)									N.W. (kg)
	d	H	J	A	A1	N	L	B1	S	
PFL203	17	81	63.5	14	4	7.5	59	28.6	6.5	0.07
PFL204	20	90	71.5	16	4	9	67	31	7.5	0.09
PFL205	25	95	76	18	4	9	71	31	7.5	0.09
PFL206	30	113	90.5	19	5	11	84	35.7	9	0.15
PFL207	35	125	100	21	5	11	94	38.9	9	0.4
PFL208	40	148	119	21	6.8	13.5	110	43.7	11	0.5
PFL209	45	150	120.5	23	6.8	13.5	115	43.7	11	0.6