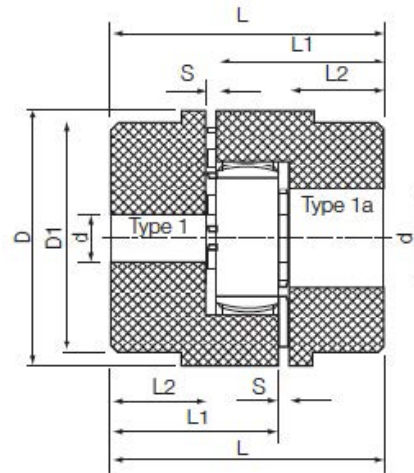


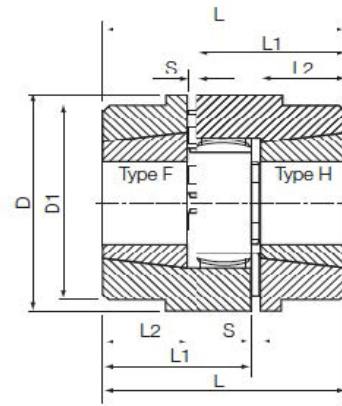
# Curved Jaw (Rotex) Couplings



Type	Hub Type	Max Speed RPM	Rated Torque (Nm)		D	D1	d-min	d-max	S	L1	L2	L	Kg
			92 Sh A Yellow	98 Sh A Red									
GE19	1	19000	10	17	40	32	6	19	1	39	25	65	0.19
	1a						19	24					
GE24	1	14000	35	60	56	40	9	24	1	46	30	77	0.38
	1a						22	28					
GE28	1	11800	95	160	65	48	10	28	1.5	52.5	35	89	0.62
	1a						28	38					
GE38	1	9500	190	325	80	66	12	38	1	66	45	112	1.36
	1a						38	45					
GE42	1	8000	265	450	95	75	14	42	1	73	50	124	2.03
	1a						42	55					
GE48	1	7100	310	525	105	85	15	48	1.5	80.5	56	138	2.85
	1a						48	60					
GE55	1	6300	410	685	120	98	20	55	2	91	65	158	4.32
	1a						55	70					
GE65	1	5600	625	940	135	115	22	65	1.5	105.5	75	182	6.66
	1a						22	65					
GE75	1	4750	1280	1920	160	135	30	75	1	120	85	206	10.48
	1a						30	75					
GE90	1	3750	2400	3600	200	160	40	90	1.5	139.5	100	241	17.89
	1a					180	40	90					

Note. Hub Types: 1 = Stepped Hub 1a = Full Hub

# Curved Jaw (Rotex) Couplings



Type	Hub Type	Max Speed RPM	Rated Torque		Bush Size	Max Bore	D	D1	S	L1	L2	L	Kg
			92 Sh A Yellow	98 Sh A RED									
GE28	F	11800	95	160	1108	28	65	64	1.5	40.5	23	65	0.46
	H				1108	28							
GE38	F	9500	190	325	1108	28	80	78	1	44	23	68	0.79
	H				1108	28							
GE42	F	8000	265	450	1610	42	95	94	1	49	26	76	1.1
	H				1610	42							
GE48	F	7100	310	525	1615	42	105	104	1.5	63.5	39	104	2.07
	H				1615	42							
GE55	F	6300	410	685	2012	50	120	118	2	59	33	94	2.22
	H				2012	50							
GE65	F	5600	625	940	2012	50	135	133	1.5	63.5	33	98	3.14
	H				2517	65				75.5	45	122	4.03
GE75	F	4750	1280	1920	2517	65	160	135	1	81	46	128	4.69
	H				2517	75				87	52	140	4.99
GE90	F	3750	2400	3600	3020	75	200	160	1.5	91.5	52	145	7.74
	H				3525	100				103.5	64	169	8.74

## Power Ratings (KW)

Yellow (92 Shore) Elements										
Speed (RPM)	Coupling Size									
	19	24	28	38	42	48	55	65	75	90
100	0.1	0.37	1	1.99	2.78	3.25	4.29	6.55	13.4	25.1
500	0.52	1.83	4.98	9.95	13.9	16.2	21.5	32.7	67	126
700	0.73	2.56	6.97	13.9	19.4	22.7	30.1	45.8	93.8	176
720	0.75	2.64	7.16	14.3	20	23.4	30.9	47.1	96.5	181
800	0.84	2.93	7.96	15.9	22.2	26	34.3	52.4	107	201
900	0.94	3.29	8.96	17.9	25	29.2	38.6	58.9	121	226
960	1.01	3.51	9.55	19.1	26.6	31.2	41.2	62.8	129	241
1000	1.05	3.66	9.95	19.9	27.8	32.5	42.9	65.5	134	251
1200	1.26	4.39	11.9	23.9	33.3	39	51.5	78.5	161	302
1400	1.47	5.12	13.9	27.9	38.9	45.4	60.1	91.6	188	352
1440	1.51	5.27	14.3	28.7	40	46.7	61.8	94.2	193	362
1500	1.57	5.49	14.9	29.9	41.6	48.7	64.4	98.2	201	377
1800	1.88	6.59	17.9	35.8	50	58.4	77.3	118	241	452
2000	2.09	7.32	19.9	39.8	55.5	64.9	85.9	131	268	503
2880	3.02	10.5	28.7	57.3	79.9	93.5	124	188	386	724
3000	3.14	11	29.9	59.7	83.3	97.4	129	196	402	754
4000	4.19	14.6	39.8	79.6	111	130	172	262	536	-

Red (98 Shore) Elements										
Speed (RPM)	Coupling Size									
	19	24	28	38	42	48	55	65	75	90
100	0.018	0.63	1.68	3.4	4.71	5.5	7.17	9.84	20.1	37.7
500	0.89	3.14	8.38	17	23.6	27.5	35.9	49.2	101	189
700	1.25	4.4	11.7	23.8	33	38.5	50.2	68.9	141	264
720	1.28	4.52	12.1	24.5	33.9	39.6	51.6	70.9	145	271
800	1.42	5.02	13.4	27.2	37.7	44	57.4	78.7	161	302
900	1.6	5.65	15.1	30.6	42.4	49.5	64.6	88.6	181	339
960	1.71	6.03	16.1	32.7	45.2	52.8	68.9	94.5	193	362
1000	1.78	6.28	16.8	34	47.1	55	71.7	98.4	201	377
1200	2.14	7.54	20.1	40.8	56.5	66	86.1	118	241	452
1400	2.49	8.79	23.5	47.6	66	77	100	138	281	528
1440	2.56	9.04	24.1	49	67.9	79.2	103	142	290	543
2880	5.2	18.1	48.4	97.9	135.7	158.4	206.5	283.4	578.9	1085.8