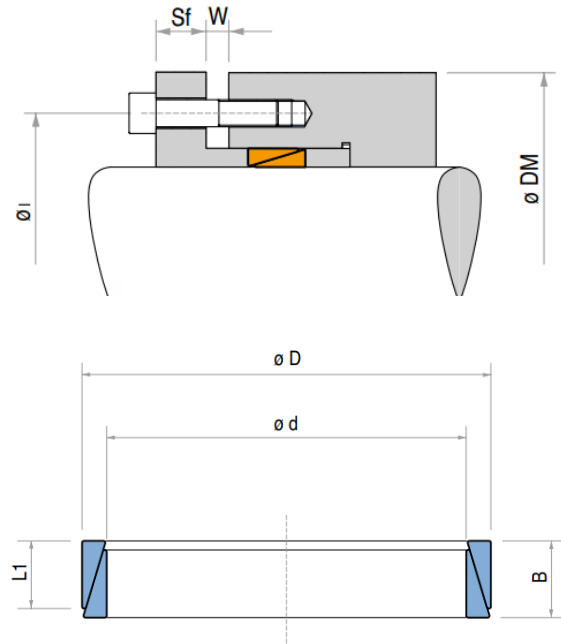


Tollok Locking Assemblies

TLK 300 & 350 - Non Self Centering

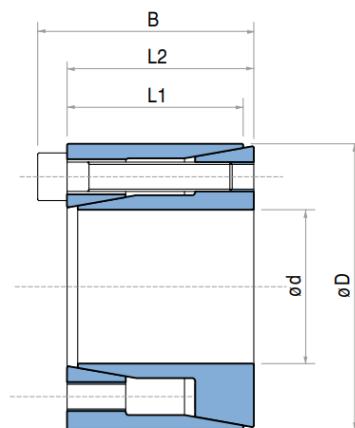


TLK 300 - Low Torque						
dg	DIN912			C = 0.140		
	Pv in N			Ms in Nm		
	8.8	10.9	12.9	8.8	10.9	12.9
M4	3900	5450	6550	2.9	4.1	4.9
M5	6350	8950	10700	6	8.5	10
M6	9000	12600	15100	10	14	17
M7	13200	18500	22200	16	23	28
M8	16500	23200	27900	25	35	41
M9	22000	30900	37100	36	51	61
M10	26200	36900	44300	49	69	83
M12	38300	54000	64500	86	120	145
M14	52500	74000	88500	135	190	230
M16	73000	102000	123000	210	295	355
M18	88000	124000	148000	290	405	485
M20	114000	160000	192000	410	580	690
M22	141000	199000	239000	550	780	930
M24	164000	230000	276000	710	1000	1200
M27	215000	302000	363000	1050	1500	1800
M30	262000	368000	442000	1450	2000	2400



TLK 300 - Low Torque																	
Dimensions				Pre-load Force	Total Force	Torque	Axial Force	Distance W				Spacer Diameter		Surface Pressures		Weight	
d	D	B	L1	Pt N	Pa N	Mt Nm	Fax KN	1 mm	2 mm	3 mm	4 mm	d1 mm	D1 mm	Pw N/mm ²	Pn N/mm ²	Kg	
28	32	6.3	5.3	7500	36000	88	6.33	3.5	3.5	4.5	5.5	28.2	31.8	115	100	0.010	
32	36	6.3	5.3	7900	45000	131	8.24	3.5	3.5	4.5	5.5	32.2	35.8	130	115	0.011	
50	57	10	8.6	23600	132000	602	24.08	3.5	4.5	5.5	6.5	50.2	56.8	150	130	0.045	

* All other TLK300 Locking Assemblies available on request



TLK 350 - Medium Torque													
Dimensions					Torque	Axial Force	Surface Pressures		Tightening Screws			Weight	
d	D	L1	L2	B	Mt Nm	Fax KN	Shaft	Hub	DIN912 12.9		Tightening	Kg	
							Pw N/mm ²	Ph N/mm ²	No.	Type	Ms Nm		
14	26	16.5	17	20	42	6.0	99	53	4	M3	2.1	0.039	
20	38	20.5	21	26	170	17.0	161	85	4	M5	10	0.1	
24	47	25	26	32	287	24.0	153	78	4	M6	17	0.2	

* All other TLK350 Locking Assemblies available on request