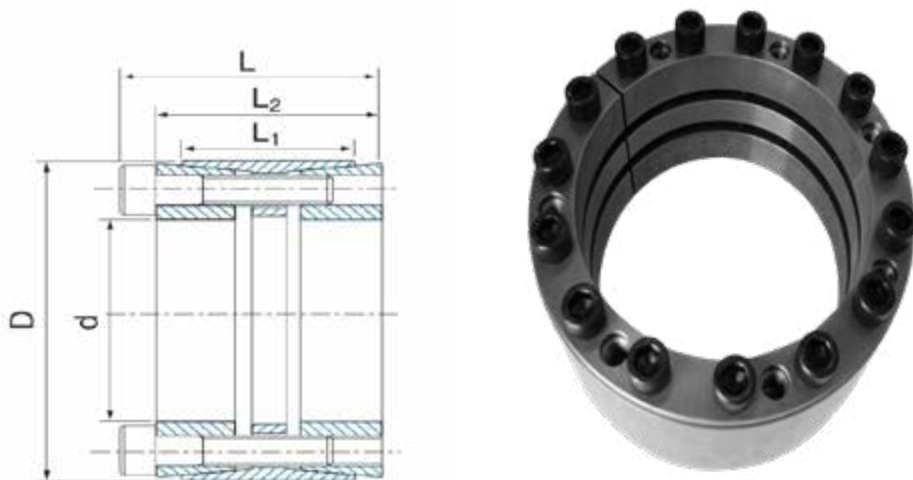


Self Locking Units (Type-19) (Self Centering)



Dimensions					Transmissible Torque Nm	Transmissible Axial Force Kn	Pressure		Clamping Screws DIN912-12.9		
d	D	L	L2	L1			Shaft Surface Pressure N/mm ²	Hub Surface Pressure N/mm ²	No.	Size	Screws Tightening Torque Nm
25	55	46	40	32	802	59	292	100	6	M6x35	17
28	55	46	40	32	899	59	261	100	6	M6x35	17
30	55	46	40	32	962	59	243	100	6	M6x35	17
35	60	60	54	44	1308	69	172	77	7	M6x35	17
38	75	62	54	44	2562	125	285	112	7	M8x45	41
40	75	62	54	44	2697	125	271	112	7	M8x50	41
42	75	62	54	44	2832	125	258	112	7	M8x50	41
45	75	62	54	44	3034	125	241	112	7	M8x50	41
48	80	72	64	56	3701	143	199	94	8	M8x55	41
50	80	72	64	56	3855	143	191	94	8	M8x55	41
55	85	72	64	56	4769	161	196	99	9	M8x55	41
60	90	72	64	56	5780	178	199	104	10	M8x55	41
65	95	72	64	56	6263	178	184	99	10	M8x55	41
70	110	88	78	70	10933	289	28	111	10	M10x60	83
75	115	88	78	70	11714	289	203	106	10	M10x60	83
80	120	88	78	70	13754	318	209	112	11	M10x60	83
85	125	88	78	70	15932	347	215	117	12	M10x60	83
90	130	88	78	70	16870	347	203	112	12	M10x60	83
95	135	88	78	70	17807	347	192	108	12	M10x60	83
100	145	112	100	90	25002	463	195	105	11	M12x80	145