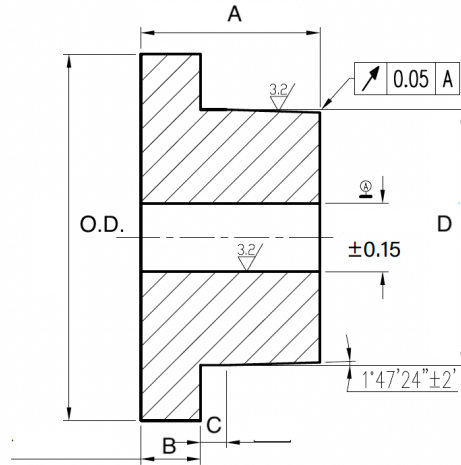


## QD Pilot Bore Bushes



Part Number	Pilot Bore Size (inch)	O.D. (mm)	D (mm)	A (mm)	B (mm)	C (mm)	Set Screws Dia. x Len.
QD-JA-PB	3/8	50.8	34.925	27	9.5	3.2	10-24X1
QD-QH-PB	3/8	63.5	41.275	31.8	7.9	3.2	1/4-20X3/4
QD-SH-PB	1/2	68.3	47.52	33.3	11.1	4.8	1/4-20X1-3/8
QD-SDS-PB	1/2	81	55.56	34.9	12.7	4.8	1/4-20X1-3/8
QD-SD-PB	5/8	81	55.56	46	12.7	4.8	1/4-20X1-7/8
QD-SK-PB	1/2	98.4	71.4375	49.2	14.3	4.8	5/16-18X2
QD-SF-PB	1/2	117.5	79.375	52.4	14.3	6.4	3/8-16X2
QD-E-PB	7/8	152.4	97.3836	66.7	19.1	7.9	1/2-13X2-3/4
QD-F-PB	1	168.3	112.7125	92.1	20.6	9.5	9/16-12X3-5/8
QD-J-PB	2	184.2	130.77	114.3	25.4	9.5	5/8-11X4-1/2