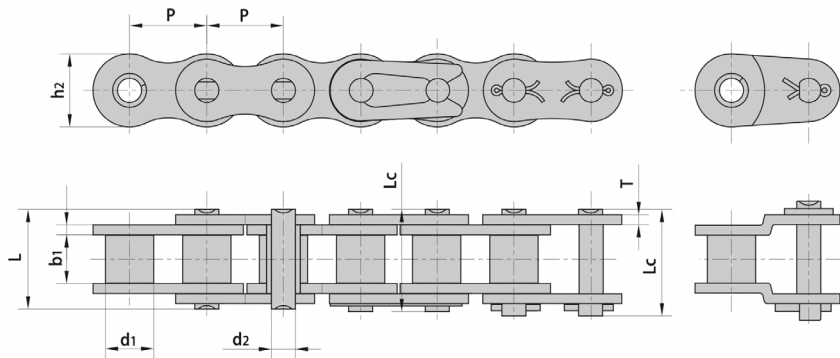
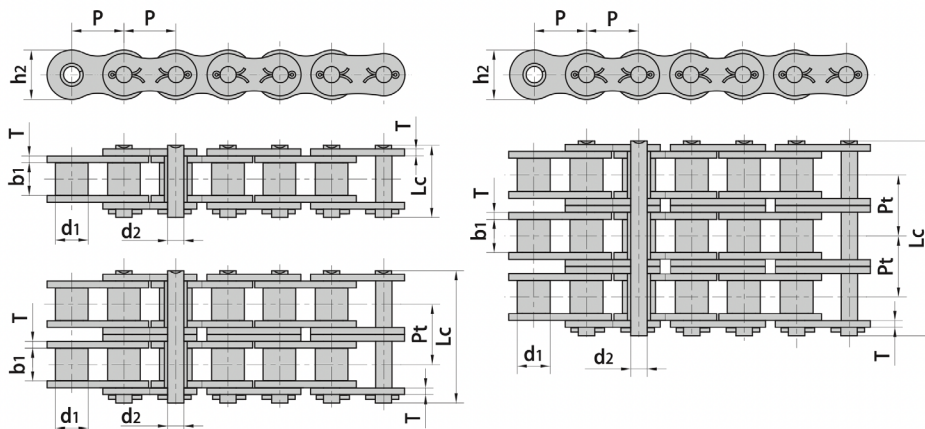


AGRI-POWER ANSI & BS Roller Chain



| Chain No. | Pitch | Roller diameter | Width between inner plates | Pin diameter | Pin length | | Inner plate depth | Plate thickness | Ultimate tensile strength | Average tensile strength | Weight per meter |
|-----------|--------|-----------------|----------------------------|--------------|------------|--------|-------------------|-----------------|---------------------------|--------------------------|------------------|
| | p | d1 max | b1 min | d2 max | L max | Lc max | h2 max | T max | | | |
| | mm | mm | mm | mm | mm | mm | mm | mm | | | |
| 40-1 | 12.70 | 7.95 | 7.85 | 3.96 | 16.60 | 17.80 | 12.00 | 1.50 | 14.10/3205 | 17.5 | 0.62 |
| 50-1 | 15.875 | 10.16 | 9.40 | 5.08 | 20.70 | 22.20 | 15.09 | 2.03 | 22.20/5045 | 29.4 | 1.02 |
| 60-1 | 19.05 | 11.91 | 12.57 | 5.94 | 25.90 | 27.70 | 18.00 | 2.42 | 31.80/7227 | 41.5 | 1.50 |
| 80-1 | 25.40 | 15.88 | 15.75 | 7.92 | 32.70 | 35.00 | 24.00 | 3.25 | 56.70/12886 | 69.4 | 2.60 |
| 08B-1 | 12.700 | 8.51 | 7.75 | 4.45 | 16.70 | 18.20 | 11.80 | 1.60 | 18.00 | 19.40 | 0.69 |
| 10B-1 | 15.875 | 10.16 | 9.65 | 5.08 | 19.50 | 20.90 | 14.70 | 1.70 | 22.40 | 27.50 | 0.93 |
| 12B-1 | 19.050 | 12.07 | 11.68 | 5.72 | 22.50 | 24.20 | 16.00 | 1.85 | 29.00 | 32.20 | 1.15 |
| 16B-1 | 25.400 | 15.88 | 17.02 | 8.28 | 36.10 | 37.40 | 21.00 | 4.15/3.1 | 60.00 | 72.80 | 2.71 |



| Chain No. | Pitch | Roller diameter | Width between inner plates | Pin diameter | Pin length | Inner plate depth | Plate thickness | Ultimate tensile strength | Average tensile strength | Weight per meter |
|-----------|--------|-----------------|----------------------------|--------------|------------|-------------------|-----------------|---------------------------|--------------------------|------------------|
| | p | d1 max | b1 min | d2 max | L max | h2 max | T max | | | |
| | mm | mm | mm | mm | mm | mm | mm | | | |
| 50H | 15.875 | 10.16 | 9.40 | 5.08 | 24.4 | 15.09 | 2.42 | 22.2/5045 | 30.2 | 1.25 |
| 60H | 19.05 | 11.91 | 12.57 | 5.94 | 31.6 | 18.00 | 3.25 | 31.8/7227 | 42.7 | 1.87 |
| 80H | 25.40 | 15.88 | 15.75 | 7.92 | 39.4 | 24.00 | 4.00 | 56.7/12886 | 71.4 | 3.10 |