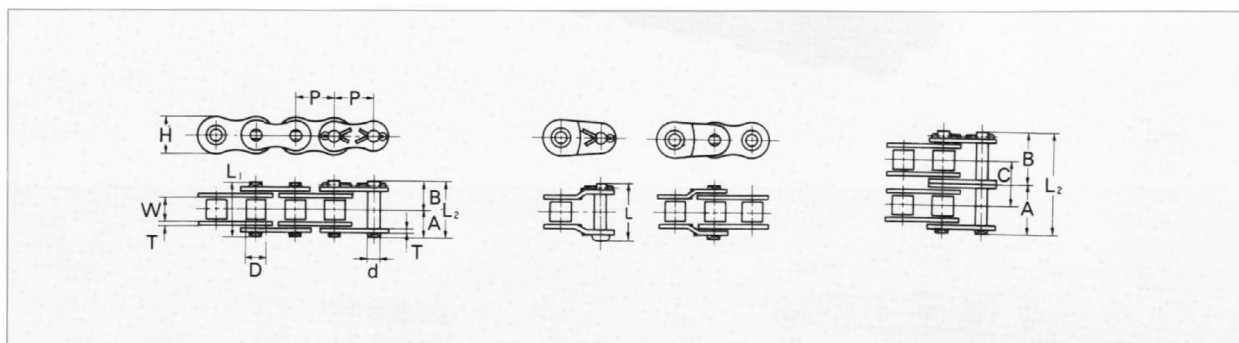


# ANSI Heavy Series Chain



Finer Power Transmissions P/L | www.finerpt.com

KCM H-Series roller chains are designed for heavy-duty operation thickening the link plate of standard roller chains and using high-strength pins.



KCM Chain No.	Pitch P	Width between Inner Plates W	Roller Dia. D	PIN					Link Plate		Transverse Pitch C	Average Tensile strength kN (kgf)	Max. Allowable Load kN (kgf)	Approx. Weight (kg/m)	Links of Dia. 1 unit
				Diameter d	A	B	(A+A) L1	(A+B) L1	Thickness T	Height H					
40H	12.7	7.95	7.95	3.97	9.05	10.55	18.10	19.60	2.0	11.7	16.4	23.5 (2,400)	3.92 (400)	0.73	240
50H*	15.875	9.53	10.16	5.09	10.98	12.42	21.95	23.40	2.4	14.6	19.6	36.2 (3,700)	6.67 (680)	1.43	192
60H*	19.05	12.70	11.91	5.96	14.35	15.75	28.7	30.00	3.2	17.5	26.1	55.9 (5,100)	9.81 (1000)	1.77	160
60H-2					27.30	28.80	54.60	56.10				111.8 (10,200)	16.27 (1,700)		
80H*	25.4	15.88	15.88	7.94	17.8	20.7	35.6	38.5	4	23	32.6	93.2 (9,500)	15.57 (1,700)	2.96	120
80H-2					34.00	37.10	68.00	71.10				186.3 (19,000)	28.34 (2,890)		
100H	31.75	19.05	19.05	9.54	21.8	24.6	43.6	46.4	4.8	28.9	39.1	43.2 (14,600)	25.99 (2,650)	4.17	96
120H	38.10	25.40	22.23	11.11	26.95	30.15	53.9	57.1	5.6	35	48.9	191.2 (19,500)	33.34 (3,3400)	6.28	80
140H	44.45	25.40	25.40	12.71	28.95	32.95	57.90	61.90	6.4	40.7	52.2	250.1 (25,000)	44.13 (4,500)	7.83	68

\* Stocked in 100ft and 50ft reels.

Dimensions (Millimeters)