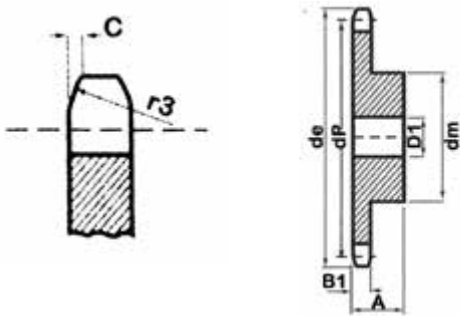


## 10B-1 Sprocket

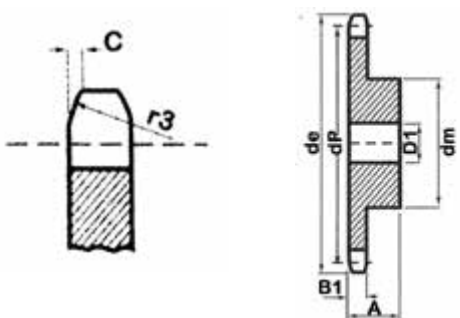


Teeth	de	dp	Simplex			
			dm	D1	A	App. Kg
13	87.8	79.59	58	16	35	0.75
15	99.8	91.63	70	16	35	1.14
17	111.9	103.7	80	16	35	1.46
19	123.9	115.8	80	16	35	1.78
21	136	127.8	90	20	40	2.27
23	148.1	139.9	90	20	40	2.49
25	160.2	152	90	20	40	2.78
27	172.3	164.1	95	20	40	3.05
30	190.4	182.3	95	20	40	3.44
38	238.9	230.1	100	25	40	4.92

Pinions	mm
Tooth Radius r3	16
Radius Width C	1.6
Tooth Width B1	9.1
Tooth Width b1	9

Chain	mm
Pitch	5.88
Inside	9.65
Roller $\phi$	10.2

## 12B-1 Sprocket



Teeth	de	dp	Simplex			
			dm	D1	A	App. Kg
13	87.8	79.59	58	16	35	0.75
15	99.8	91.63	70	16	35	1.14
17	111.9	103.7	80	16	35	1.46
19	123.9	115.8	80	16	35	1.78
21	136	127.8	90	20	40	2.27
23	148.1	139.9	90	20	40	2.49
25	160.2	152	90	20	40	2.78
27	172.3	164.1	95	20	40	3.05
30	190.4	182.3	95	20	40	3.44
38	238.9	230.1	100	25	40	4.92

Pinions	mm
Tooth Radius r3	19
Radius Width C	2
Tooth Width B1	11.1
Tooth Width b1	10.8

Chain	mm
Pitch	19.05
Inside	11.68
Roller $\phi$	12.07