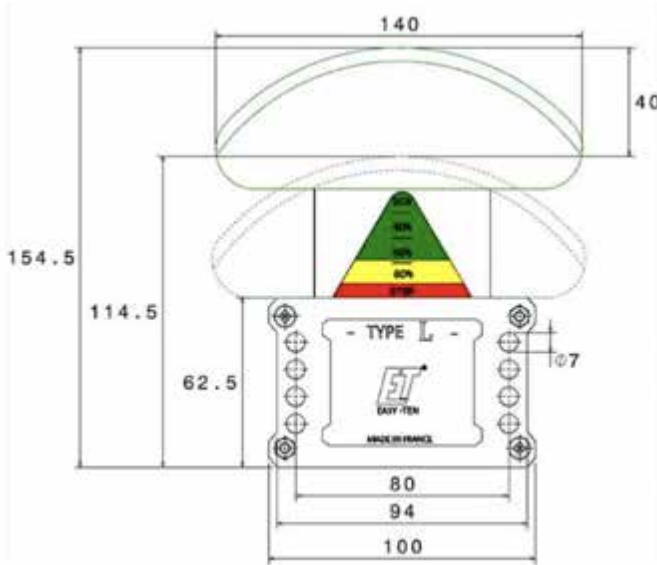
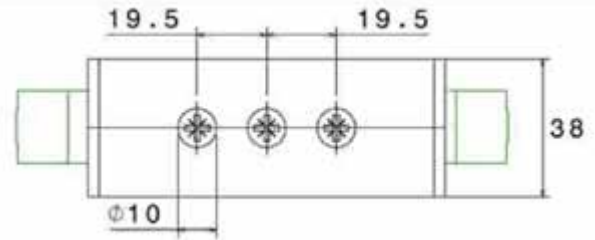
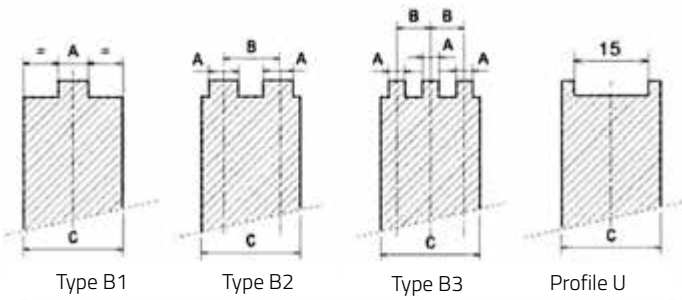


### ARC PROFILE



#### CHAIN SIMPLEX

| Part No.    | Chain | A  | B | C  |
|-------------|-------|----|---|----|
| ETL-AR06B1H | 06 B1 | 5  | - | 30 |
| ETL-AR08B1H | 08 B1 | 7  | - | 30 |
| ETL-AR10B1H | 10 B1 | 9  | - | 30 |
| ETL-AR12B1H | 12 B1 | 11 | - | 30 |
| ETL-AR16B1H | 16 B1 | 16 | - | 30 |
| ETL-AR20B1H | 20 B1 | 18 | - | 30 |

#### CHAIN DUPLEX

| Part No.    | Chain | A  | B     | C  |
|-------------|-------|----|-------|----|
| ETL-AR06B2H | 06 B2 | 5  | 10.24 | 30 |
| ETL-AR08B2H | 08 B2 | 7  | 13.92 | 30 |
| ETL-AR10B2H | 10 B2 | 9  | 16.59 | 30 |
| ETL-AR12B2H | 12 B2 | 11 | 19.46 | 35 |
| ETL-AR16B2H | 16 B2 | 16 | 31.88 | 50 |

#### CHAIN TRIPLEX

| Part No.    | Chain | A | B     | C  |
|-------------|-------|---|-------|----|
| ETL-AR06B3H | 06 B3 | 5 | 10.24 | 30 |
| ETL-AR08B3H | 08 B3 | 7 | 13.92 | 35 |

All dimension above are in mm.

By default the tensioners are heavy tension type - light tension box is available (ET-SNUL)